



Horne Engineering Ltd
 Rankine Street
 Johnstone PA5 8BG
 Tel: 01505 321455
 technical@horne.co.uk
 www.horne.co.uk

HORNE THERMOSTATIC SHOWER PANEL – WITH TEMPERATURE CONTROL AND TIMED FLOW-CONTROL: FOR SURFACE MOUNTING INSTALLATION, COMMISSIONING & MAINTENANCE INSTRUCTIONS

Note that these instructions (L-178) feature the T206A shower panel. The T113A and variants feature the same TSV-TFC shower valve but differ in the water outlet fittings. All comments relating to the T206A (and variants) in these instructions equally refer to the T113A and its variants.

0.1 Approvals and Regulations

The TSV-TFC shower valve is independently tested & approved by an ISO17025 Approved Test House to all the requirements of Department of Health - HTM 04-01: Supplement *Performance Specification D 08: Thermostatic Mixing Valves (Healthcare Premises)*, to the following designations and for the following applications:

HP-S	Shower with supply pressures of 1 – 5 Bar and unrestricted flow rate
LP-SE	Shower with supply pressures of 0.2 – 1 Bar and unrestricted flow rate

The TSV-TFC is therefore classified as a Type 3 Thermostatic Mixing Valve according to HTM 04-01 Part A, and Health and Safety Executive HSI6, 2012, document: *Managing the risks from hot water and surfaces in health and social care*.

It also complies with Regulation 4 of the Water Supply (Water Fittings) Regulations 1999 and Water Bylaws (Scotland) 2014.

0.2 Backflow Prevention

The hot and cold inlets to the TSV-TFC valve are fitted with single in-line Reg 4 approved DN15 Check Valves.

0.3 Supply Water Pressure Requirements

The minimum water pressure required to achieve a spray at the spray head is a dynamic head of 4m (7 psi, 0.4 Bar) at the spray head.

Note that dynamic head is measured with the water running.

Where the shower panel is fed by supplies with differing pressures, a pressure-reducing valve (PRV) may be required on the inlet with the higher pressure to prevent pulsing of the flow. Although this has minimal effect on thermostatic control, the flow pulsing is often considered undesirable.

Note that output flowrate is always determined by the lower of the two inlet pressures.

0.4 Operating Conditions Required for TMV Type 3 Compliant Installations

	Low Pressure	High Pressure
Maximum Static Pressure	10 Bar	10 Bar
Flow Pressure, Hot & Cold	0.5 - 1 Bar	1 - 5 Bar
Hot Water Supply Temperature	55 – 65°C	55 – 65°C
Cold Water Supply Temperature	5 – 20°C	5 – 20°C
Min. Temp. Differential (Hot/Mix, Mix/Cold)	5K (=5°C)	5K (=5°C)

OUTSIDE OF THESE CONDITIONS, THE TSV-TFC CANNOT BE EXPECTED TO OPERATE AS A TYPE 3 VALVE.

0.5 Temperature Adjustment Range

The mixed water temperature can be adjusted from cool through to a top limit (which can be pre-set during installation – factory set to approx. 41°C - with full anti-scald protection throughout the range).

0.6 Water and Energy Conservation

The TSV-TFC range shower panels are factory-fitted with flow regulators at the shower outlet to reduce the flow rate and conserve water and energy. The drawings at the end of this document provide information for accessing the flow regulators for removal or replacement.

0.7 Alternative Water Entry

Note that panels with rear water-entry, with flexible soft-PEX hoses are also available. More specific instructions for installation of these panels is given at the end of the installation section.

0.8 Adjustment of Flow Duration

The Timed Flow Control Cartridge supplied with all variants has an adjustable duration, and is factory set to 45 seconds (maximum duration). This is adjusted using the supplied Hex Key through the hole in the front of the Push-button. See Drawing PA713 on page 10.

Note that ligature-resistant models (e.g. T113ALR) are also available, which feature a ligature resistant shroud around the push-button timed flow control.

SECTION 1: INSTALLATION

The surface mounting enclosure is supplied with fixings to attach it to a wall. However, consideration should be given to the type of wall fittings required, as different substrates will require different fittings. It is the responsibility of the installer to ensure that the fixings used are appropriate for the wall substrate.

The hot pipe is on the left, and cold on the right, when viewed from the user's perspective.

1.1 Recommended Mounting Heights – Guidance Only

T113 Panel	Support screw should be 2.0 metres from finished floor level*.
T206 Panel (swivel-head, shown p13)	Support screw should be 2.1 metres from finished floor level.

1.2 Mark the position for the panel

Identify a suitable position for the pre-plumbed enclosure and mark a spot for the support screw on the wall on the intended centreline of the shower panel, at the height indicated in the table above.

1.3 Install the Support Screw

Drill a hole in the wall and insert a wall plug and screw (7mm hole if using the supplied plug), leaving the head of the screw protruding approximately 12mm from the wall. Note that a corrosion resistant stainless-steel screw supplied for the purpose.

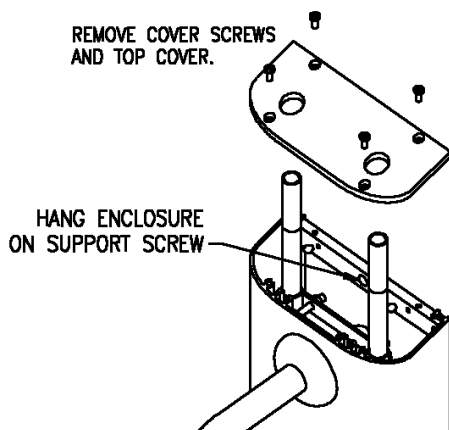


Fig. 1

1.4 Hang the Enclosure on the Support Screw

Except where the panel includes an integral ILTDU, release the top cover of the pre-plumbed enclosure by removing the four screws. Hang the pre-plumbed enclosure on the support screw by the larger hole in the middle of the back strap and let this take the weight of the enclosure.

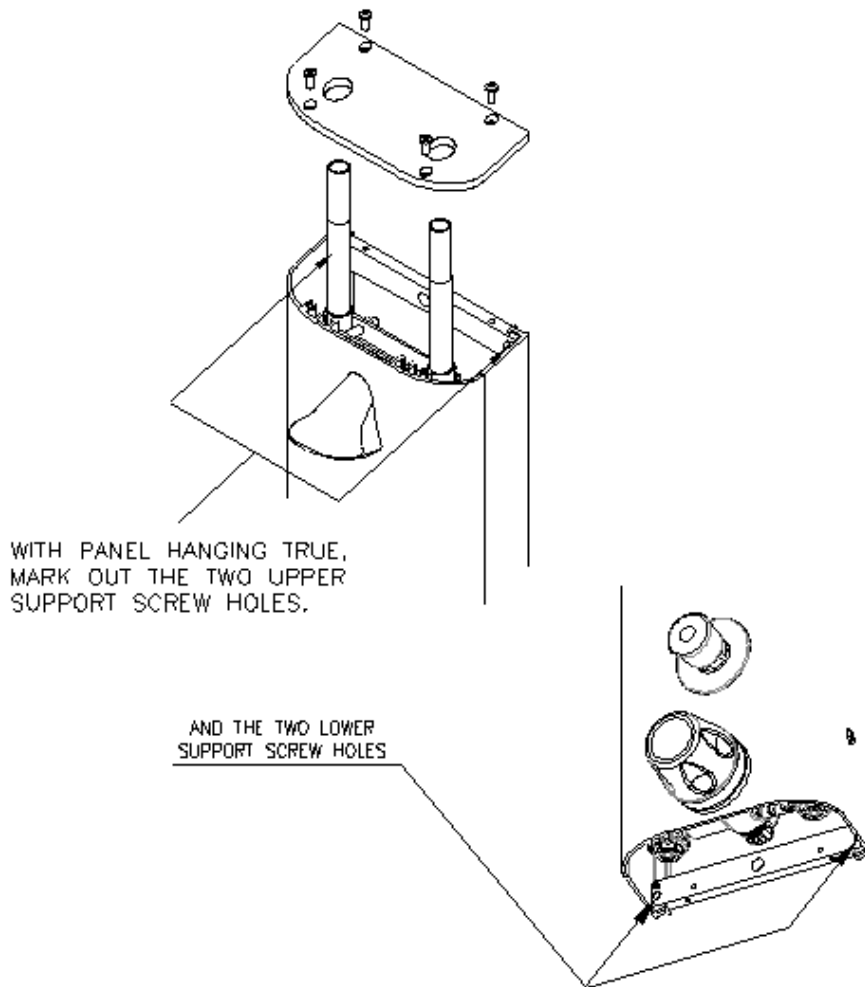


Fig. 2

1.5 Mark out the Four Support Holes

Ensure that the enclosure is hanging true and then mark out the holes for the 2 upper support screws. Remove the bottom cover of the pre-plumbed enclosure and mark out the 2 lower support screws (See Fig. 2).

1.6 Drill Support Holes

Carefully remove the pre-plumbed enclosure from the temporary support screw and, being careful not to scratch the enclosure or its covers, lay it down where it will not be damaged. Drill 4 x support holes (7mm for the supplied plugs) to mount the panel.

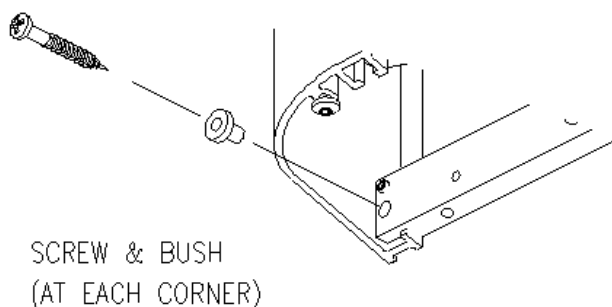


Fig.3

1.7 Attach the Unit to the Wall

Carefully re-hang the pre-plumbed enclosure on the temporary screw. Put the 4 supplied screw bushes in the mounting holes in the panel and then attach the panel firmly to the wall using 4 stainless-steel screws. A bead of silicon mastic can be used, if required, to cover any gaps behind the panel on uneven walls. Do not mastic the lower End Cap to the wall.

N.B. It is important to use the supplied screw bushes.

1.8 Connect the Supply Pipes

N.B. Except where the panel includes an integral ILTDU, ensure that the top cover of the pre-plumbed enclosure is replaced prior to connecting up the supply pipes. The fitting of isolation valves is required as close as practicable to the water supplies inlets of the shower panel.

Connect the hot water supply to the left-side inlet, and cold water to the right-side inlet (See Fig. 4).

DO NOT OPEN THE WATER SUPPLIES AT THIS STAGE AS THEY HAVE NOT BEEN FLUSHED OUT TO REMOVE THE DEBRIS IN THE PIPEWORK. SUCH DEBRIS CAN DAMAGE THE THERMOSTATIC VALVE

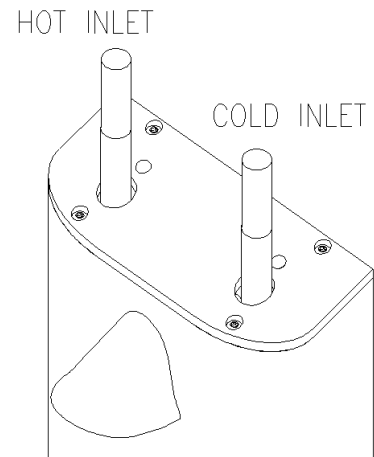


Fig. 4

1.9 Flush the Pipework

Flushing is required by Water Fittings Regulations 1999, schedule 2 G13.1, the Water Bylaws 2014 (Scotland) and BSEN 806, and is also essential for the function of the shower valve. The most common cause for complaint regarding the performance of any thermostatic shower or mixing valve is traced to dirt or debris in the mixing valve or check valves. See Figs. 5 and 6.

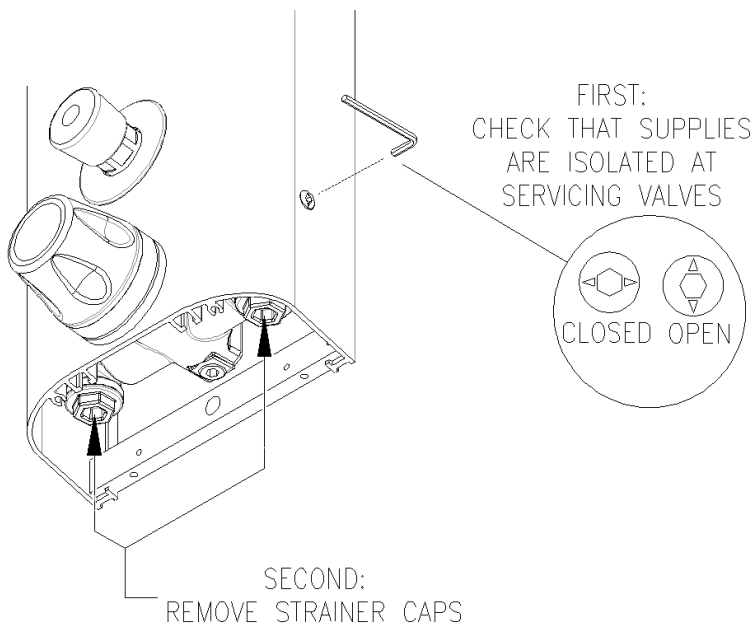


Fig.5

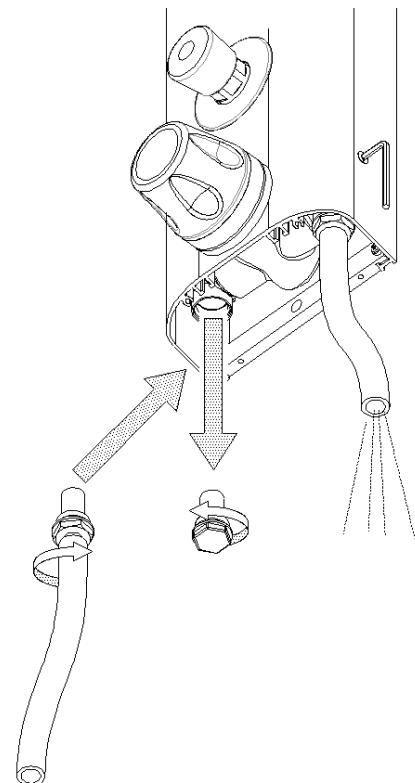


Fig. 6

Access to the flushing points is gained from underneath the casing through the lower end cap. Isolate the water using the low-level servicing valves located on the side of the panel (Fig. 5) using a 4mm hex key. Remove the strainer cap with the strainer basket and screw in the flushing adapter. Place the end of the flushing hose in a drain or container and turn on the supply to flush AT FULL BORE until any pipework that has been worked on is cleared. After flushing, remove the flushing adapter and replace the strainer cap. Repeat for both hot and cold supplies. See Fig. 5 and 6.

NOTE THAT IF THE SYSTEM IS NOT TO BE COMMISSIONED IMMEDIATELY AND/OR THERE IS ANY DANGER OF FREEZING THEN THE PIPES AND VALVE MUST BE DRAINED TO AVOID DAMAGE. OPEN THE STRAINER CAPS FOR THIS PURPOSE.

1.10 Test for Leaks in Pipework

Open the supplies and check for any leaks at the supply pipe joints. Open the servicing valves on the casing (Fig.6). Water should not flow from the spray head as the push button timed flow control has not been pressed. Make good any leaks found. The valve is now ready for commissioning.

Note that if the controls, enclosure and shower accessories require cleaning then care must be taken not to scratch them in the process. Wash off any surface dust with the shower spray before cleaning with soapy water.

DO NOT USE ANY ABRASIVE CLEANERS OR SOLVENTS OR THE SURFACES MAY BE DAMAGED.

1.11 Supplementary Installation Instructions for ...B Variants [Hose Inlets from Rear].

TSV-TFC shower panels are available in versions with concealed, rear-entry flexible, braided stainless-steel inlet hoses rather than top entry copper pipework. The hoses used are UK Water Regulation 4 Approved SOFT-PEX (cross-linked polyethylene). They are not EPDM lined. These shower versions have Product References with the suffix B, e.g. T113B.

The main difference, from an installation point of view, is that the water supplies may have to be connected before the pre-plumbed enclosure is attached to the wall. Accordingly, point 8 on the attached installation instructions (Connect the Supply Pipes) should be performed before point 7 (Attach the Pre-Plumbed panel to the Wall) unless alternative access is available to the connections, e.g. via an access panel.

Note that the braided hose inlets are colour coded with BLUE for the Cold Water Supply and RED for the Hot Water Supply.

Care should be taken to ensure that the weight of the pre-plumbed enclosure is taken by the mounting screws and NOT by the hoses.

SECTION 2: COMMISSIONING

NB: THE TSV-TFC CANNOT BE COMMISSIONED UNTIL HOT AND COLD WATER ARE AVAILABLE

Commissioning the unit involves flushing the water supply; setting the temperature; and finally performing a cold-water isolation test to confirm the safe operation of the thermostatic valve as fitted. Flushing is included in the Installation section to ensure it is done as soon as possible after installation but should be considered vital to the commissioning process. Commissioning is essential to establish a reference point for future in-service tests, and to ensure the thermostatic valve works correctly under site conditions.

2.1 Flushing

Unless you are absolutely certain that this has been done, flush the pipework: see section 1.9 above.

2.2 Pre-Checks

Ensure that the NHS designation of the valve matches the intended application, that both hot and cold-water supplies are open and at, or near, their design temperatures and pressures, and that they are within the Type 3 TMV requirements as outlined in section 0.4. Also ensure that the servicing valves are open.

2.3 Temperature Setting

The TSV-TFC is set in the factory to verify correct thermostatic performance, but this must be checked on site during commissioning to ensure that the site conditions do not impair the operation of the valve. If necessary, reset the maximum outlet temperature to 41°C, as stated in table 2 of HTM 04-01,D 08 supplement.

2.3.1 Set the temperature control to the maximum temperature setting (rotate the control anticlockwise until it stops).

2.3.2 Run the shower by pushing the button. For installations with a fixed shower head, putting a burst polythene bag over the shower head will help to catch and deflect the spray during commissioning. Keep the push-button depressed for as long as needed until the water temperature has stabilised. Should the temperature rise, or drop, in an uncontrolled fashion, then the hot and cold supplies are probably reversed. Correct this before proceeding.

2.3.3 During commissioning, the valve **MUST** be adjusted **DOWN** to temperature. This is to ensure that the hot water system is capable of supplying water, at the working flowrate, in excess of the required outlet temperature by a margin of at least 5°C. Note that this is not always the case with instantaneous water-heaters. To do this, set the valve to 5°C higher than required; measure and confirm the elevated temperature, and then reduce the temperature to the required level. If the valve cannot be set to 5°C higher than required, then the outlet temperature is being controlled by the inlet conditions and not safely by the valve, therefore the commissioning is not complete, and **VULNERABLE USERS SHOULD NOT BE ALLOWED TO OPERATE THE SHOWER.**

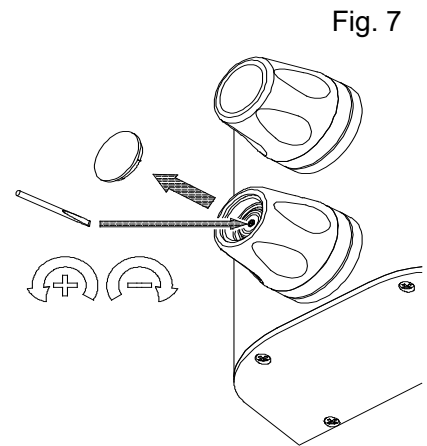


Fig. 7

2.3.4 To adjust the set maximum temperature, remove the temperature control cap (prize plastic ones off using a small screwdriver; or unscrew the metal ones - Horne tool 23-5459 or nitrile gloves are helpful for grip) and adjust the small, slotted screw in the centre of the spindle. Adjust the screw anticlockwise to increase the temperature, clockwise to decrease the temperature. See Fig. 7.

2.3.5 After setting the maximum temperature on the knob, press the button a few times and check that the maximum setting is correct.

2.4 D08 Compliance

Note that, to comply with D 08, the final stabilised Mixed Water Temperature should not exceed 43°C. Record the commissioning information, including equipment used, on the attached commissioning sheet to permit the in-service performance of the valve to be assessed in the future.

2.5 Cold Isolation Test

2.5.1 Finally, check the thermal shut-off facility of the TSV-TFC by performing a Cold Isolation Test (sometimes colloquially called a “fail-safe” test) as follows. With the shower running full, close the cold (i.e., right side) servicing valve. [The Servicing Valve is closed when the arrows are in the horizontal position, and open when they are in the vertical position: see Fig. 5]. If there is any flow after 5 seconds, this must amount to no more than 120ml in 60 seconds of collecting. If there is more than this amount, find possible corrective actions in the “Maintenance” section below. If the Cold Isolation Test is satisfactory, restore the supply and note the final stabilised temperature in the commissioning log. This should be within 2°C of the original temperature, and must not exceed 43°C. Generally, the mixed water temperature should not rise by more than 2.9°C during this cold-water isolation test. Record the result of this on the attached commissioning sheet. Ensure that the button is pushed-in during the entirety of this test, or the results will be invalid.

Failure of the Cold Isolation Test at commissioning is usually due to dirt particles that have migrated into the valve from the pipework. This is why flushing is essential.

Note that the incoming hot-water temperature must be maintained in the range described in the table at the bottom of page 1 for this test to be valid. Refer to the maintenance section of this booklet or phone the factory for advice, if necessary.

2.6 Test the Check-Valves

Although check-valve failures are rare, verifying their operation at commissioning time in a large installation can give peace of mind later. Refer to section 3.8 .

SECTION 3: MAINTENANCE

Maintenance of all Thermostatic Mixing Valves is essential to ensure the product continues to perform to specification after installation and continues to afford scald protection. Record all maintenance carried out on the attached commissioning and maintenance record sheet.

3.1 In-Service Testing

Periodic testing should be carried out to check whether any deterioration has occurred in the thermostatic performance of the shower valve. The results of these tests, and the equipment used, should be recorded on the Commissioning, Maintenance and In-Service Testing Sheet at the back of these instructions. Fill in all the parameters requested on the sheet.

Note that instrumentation to the same specification should be used each time when measurements are taken to ensure consistency of results.

Also record any requirement to adjust the Mixed Water Temperature on the in-service testing record.

NOTE: A THERMOSTATIC MIXING VALVE IN NEED OF MAINTENANCE CAN BE UNDETECTABLE IN NORMAL USE AND ONLY BECOME APPARENT WHEN DISRUPTION OCCURS IN THE HOT OR COLD-WATER SUPPLY TEMPERATURES OR PRESSURES. IN SERVICE TESTING SHOULD BE CARRIED OUT AT A FREQUENCY DETERMINED BY LOCAL RISK ASSESSMENT TO DETECT ANY SUCH DETERIORATION.

3.2 Routine Servicing

- 3.2.1 Replace the “O” rings every three years (Maintenance kit with spare “O” rings available). It is especially important to replace the slide-valve seal, located in a groove in the valve body. Horne tool 4411 is helpful for this job. See the Horne website “maintenance” section for further instruction and videos.
- 3.2.2 Replace the Thermostat Element every 6 years, or more often if problems are experienced or in installations where the water is aggressive.
- 3.2.3 Replace the slide-valve assembly if it becomes damaged. This may happen due to scale or grit in the water.

3.3 Strainer Baskets

Initially check the strainer baskets for debris every three months and clean if required. This period can perhaps be increased later if it is established that the water is generally clean and free of debris.

3.4 Cold Isolation Test - Corrective Actions for Failure

- 3.4.1 Regularly perform a Cold Isolation Test and check the maximum temperature setting as described in the section 2.5 above. If the valve fails this test then consider the following:
- 3.4.2 Perform an Isolation Test as section 2.5 but shut the hot instead of the cold. If this results in a similar rate of flow as when shutting the cold, then consider that there may be a problem with the slide-valve seal. See section 3.2.1.
- 3.4.3 Opening and cleaning the valve can cure problems caused by dirt in the pipework that has migrated into the valve, but note that if water cleanliness is poor, or flushing is not carried out, then dirt can damage the slide-valve knife-edge faces. Damage will necessitate replacement of the slide-valve
- 3.4.4 Cleaning/dressing of the hot valve seat may be necessary if the valve is old and/or scaled. This can be done with Horne tool 5395, and some toothpaste or fine grinding paste.
- 3.4.5 Failure of the Cold Isolation Test can be caused by hot water in the cold supply: test the check-valves, section 3.9.
- 3.4.6 In the water supply is ‘hard’, then de-scaling of the valve may be necessary, see section 3.6..

3.5 Notes on Dismantling

3.5.1 All internal components of the thermostatic valve can be removed from the front of the panel by removing the components shown in drawing 11387 below. There is no need to remove the panel from the wall unless you wish to remove the valve from the panel, to de-scale it for example.

3.5.2 Treat all parts with care when removing them from the valve body. Note especially that the slide-valve is a precision component and can easily be damaged.

3.5.3 Do not forget the slide-valve seal, partially hidden in a groove in the valve-body. Horne tool 4411 can be used to remove it. Be careful not to scratch the groove sides whilst removing the seal. This and all other plastic/rubber parts must be removed before de-scaling.

3.6 Notes on Descaling

3.6.1 If the valve body requires de-scaling, first remove the valve from the panel (see section 3.10). Remove all o-ring seals and internal parts, then use a proprietary de-scaling fluid. Do not put the thermostat element or any plastic/rubber parts in de-scaling fluid.

3.6.2 Inspect the condition of the "Hot Valve Face", with which the knife-edge of the slide-valve mates, and the "Cold Valve Face". If the valve faces show signs of deterioration, they can be resurfaced as follows.

- ◇ Re-surface the Hot Valve Face using a mandrel (Horne part no. 5395) and a water-soluble scouring paste (toothpaste works quite well).
- ◇ Use P800 Grade wet abrasive paper on a flat surface to smooth the "Cold Valve Face" (i.e., the lower face of the valve cover assembly with which the slide-valve mates).

3.6.3 Prior to re-assembly of the valve, ensure it is clean and all debris is removed.

3.7 Notes on Re-assembly

3.7.1 Make sure all components are clean before re-assembly. It is recommended to fit new o-rings.

3.7.2 Smear silicon oil (not grease) on all "O" rings prior to installation. Also lightly smear the outside diameter of the slide valve with silicon oil before fitting.

3.7.3 Ensure the slide-valve seal is fitted in the body and is in good condition.

3.7.4 Fit the remaining components into the valve body using drawing 11387 (below) as a guide.

3.7.5 For optimal thermostatic performance, orient the visible tail end of the return spring towards the left side (hot inlet side) before inserting the slidevalve. Then turn the thermostatic adjustment to the full cold position *before* screwing on the cover.

3.7.6 Torque the TSV cover to 40 Nm (29Lbf.ft). This is to prevent the user from inadvertently unscrewing the cover during temperature adjustment. Do not over tighten the cover.

3.7.7 After any dismantling of the valve, perform a Cold Isolation Test per section 2.5 to verify correct re-assembly.

3.8 Testing of Check-Valves

The Check Valves prevent crossflow between hot and cold-water supplies under unequal pressure conditions and are designed for long life with no maintenance. Their function can be tested as follows:

3.8.1 Start with the outlet to the valve closed and both hot and cold isolating valves open.

3.8.2 To test the Check Valve on the hot side, shut off the hot supply and ensure the cold supply is open. Be prepared for leakage of trapped water from the pipe and remove the strainer basket on the hot side. Any continuing leakage evident from the strainer body is likely to be coming through the hot supply Check Valve (N.B. Ensure the hot isolating valve shuts off tightly, or it may cause leakage here). Testing of the cold-side check valve is a mirror of this process.

3.8.3 If either Check Valve is passing, then the inlet elbow (complete with Check Valve and strainer basket) should be replaced. It is not possible to satisfactorily remove the Check Valve itself from the inlet elbow and this should not be attempted. The shower valve body must be removed from the pre-plumbed enclosure to remove the inlet elbows. Pay attention to the section below on "removal of valve from panel", and Fig.8.

3.9 Timed Flow Control

3.9.1 The Timed Flow Control Cartridge supplied with all variants has an adjustable duration, and is factory set to 45 seconds (maximum duration). This is adjusted using the supplied Hex Key through the hole in the front of the push button - see drawing PA713 below.

3.9.2 If the duration of the timed flow control begins to shorten or lengthen significantly then this could be a sign that the cartridge requires cleaning. Over a period of time (or if the water supplies have not been

flushed through adequately on a new installation), sediment and other particulate matter can get trapped in the Timed Flow Control and disrupt the timing.

- 3.9.3 The Timed Flow Control (TFC) cartridge can be removed for cleaning or replacement (spare parts are not available) as per drawing PA713.
- 3.9.4 NB: For -LR models, which include a conical shroud around the timed flow control cartridge, the cartridge can only be removed by removing the panel enclosure from the wall. To do this, first isolate the shower from the water supply at the upstream isolation valves, then purge the water from the internal pipework by pressing in, and holding, the TFC button until the flow stops. Disconnect the shower supply pipes from top entry pipework. Remove the top and bottom cover caps with a TORX T20 driver and unscrew the four wall fixings. Lift the Enclosure from its supporting screw to remove it, being sure to support its weight if rear entry supply hoses are still connected behind. Loosen the grub screws and locknut holding the LR shroud in place from behind. Now unscrew the TFC cartridge as per drawing PA713.

3.10 Removal of Valve from Panel

If removing the valve from the panel, for example for descaling, then care should be taken over the low-level isolation actuators, which are connected to the valve via spring-loaded Oldham couplings. The 2 parts of the coupling can be held together by M2 screws (part no 41-5667, inserted down the 4mm hex hole), which prevent loss of the very small springs during assembly & disassembly. The complete coupling is part no. 43-5663.

3.11 External Cleaning

When cleaning the external levers or control knobs, use only a soft cloth and soap. Never use cleaners containing abrasives or solvents as they may damage the chrome plating.

3.12 Periodicity Of In-Service Testing

The frequency of in-service testing depends upon the condition of the water passing through the TSV-TFC. In-service testing must be carried out more frequently in hard water areas than in soft water areas. As a general guide, in-service testing should be carried out at intervals somewhere between 6 and 12 months. In-service testing should be carried out at least every 12 months and, where the water is hard, the interval may be less than 6 months. Experience of local conditions and the in-service testing record will dictate the required frequency of in-service testing. In the absence of practical experience of this, a first check 6 – 8 weeks after commissioning should be performed. If no problems are detected (and mixed water temp is within 1°C of the commissioning temp) then checking again 12 – 15 weeks after commissioning helps to build up a history. The results should be recorded on the attached sheet. Any requirement to reset the mixed water temperature should be noted. If no such adjustments are required, then the next in-service tests can be scheduled for 24 – 28 weeks after commissioning. If small adjustments (1 to 2 K) are required then check the strainers for cleanliness, make sure the isolating valves are fully open and verify the check valves are operating correctly (see Maintenance Section). The next in-service test should be conducted 18 - 21 weeks after commissioning. If larger adjustments are required (>2K), then service work is required, and the in-service tests should be repeated 18 – 21 weeks after commissioning. Note that the pressure and temperatures of the supplies must be identical to those during commissioning for the in-service tests to be meaningful.

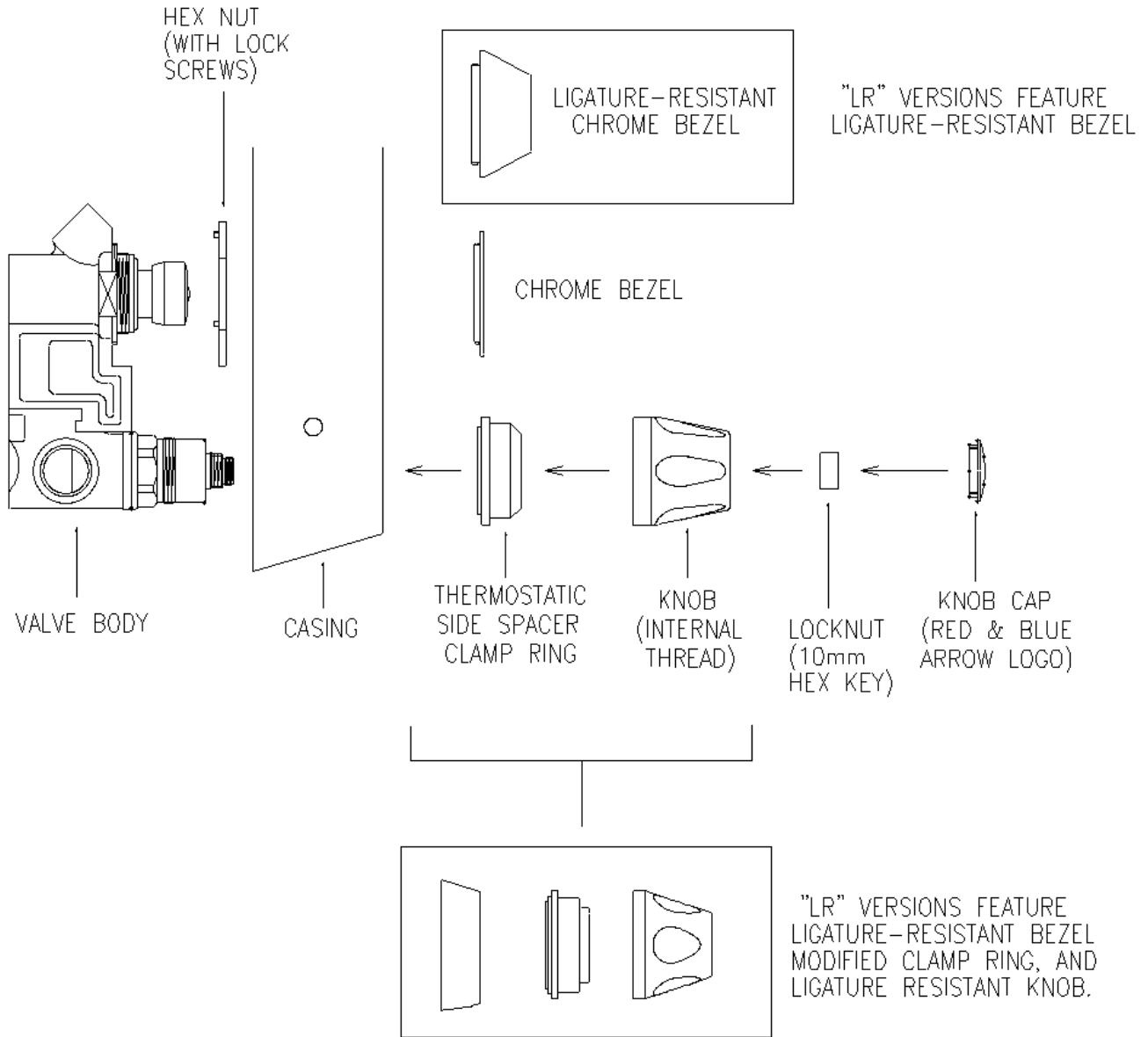
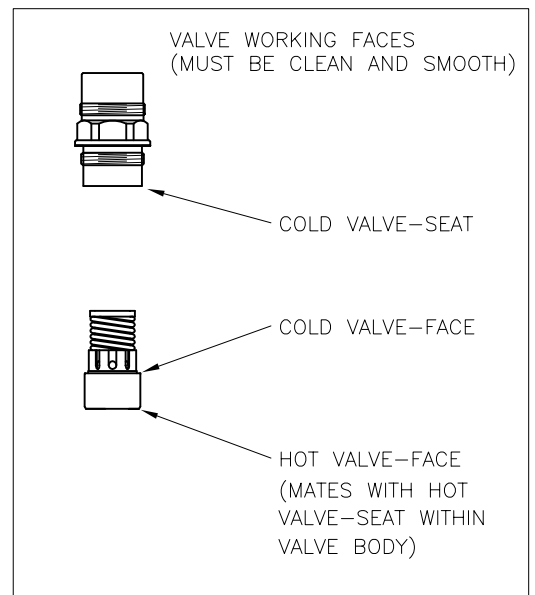
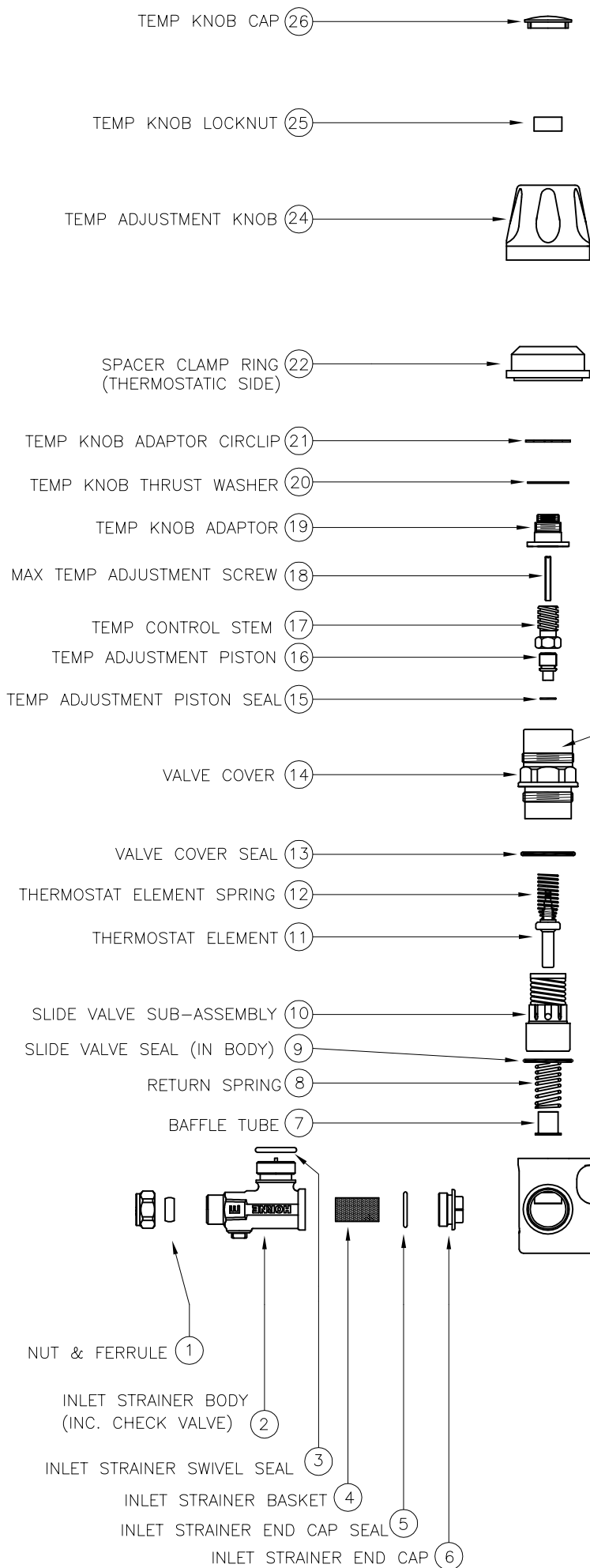
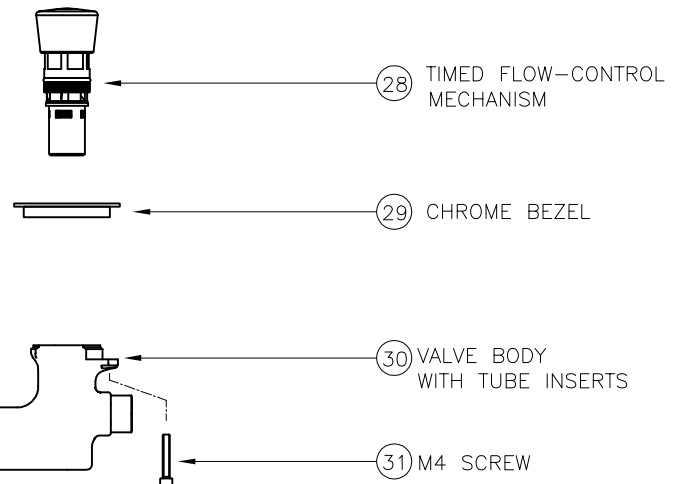


Fig. 8



TYPE No.
LABEL



TO ORDER SPARE PARTS
REFER TO VALVE TYPE No.
(ON LABEL ON VALVE COVER)
PART No. FROM THIS DRAWING
THIS DRAWING No. (11387 ISSUE 3)

e.g.
SPARE PARTS FOR VALVE TSV-TFC
THERMOSTAT ELEMENT, ITEM 11 ON DRAWING 11387/3

TO REMOVE FLOW REGULATOR

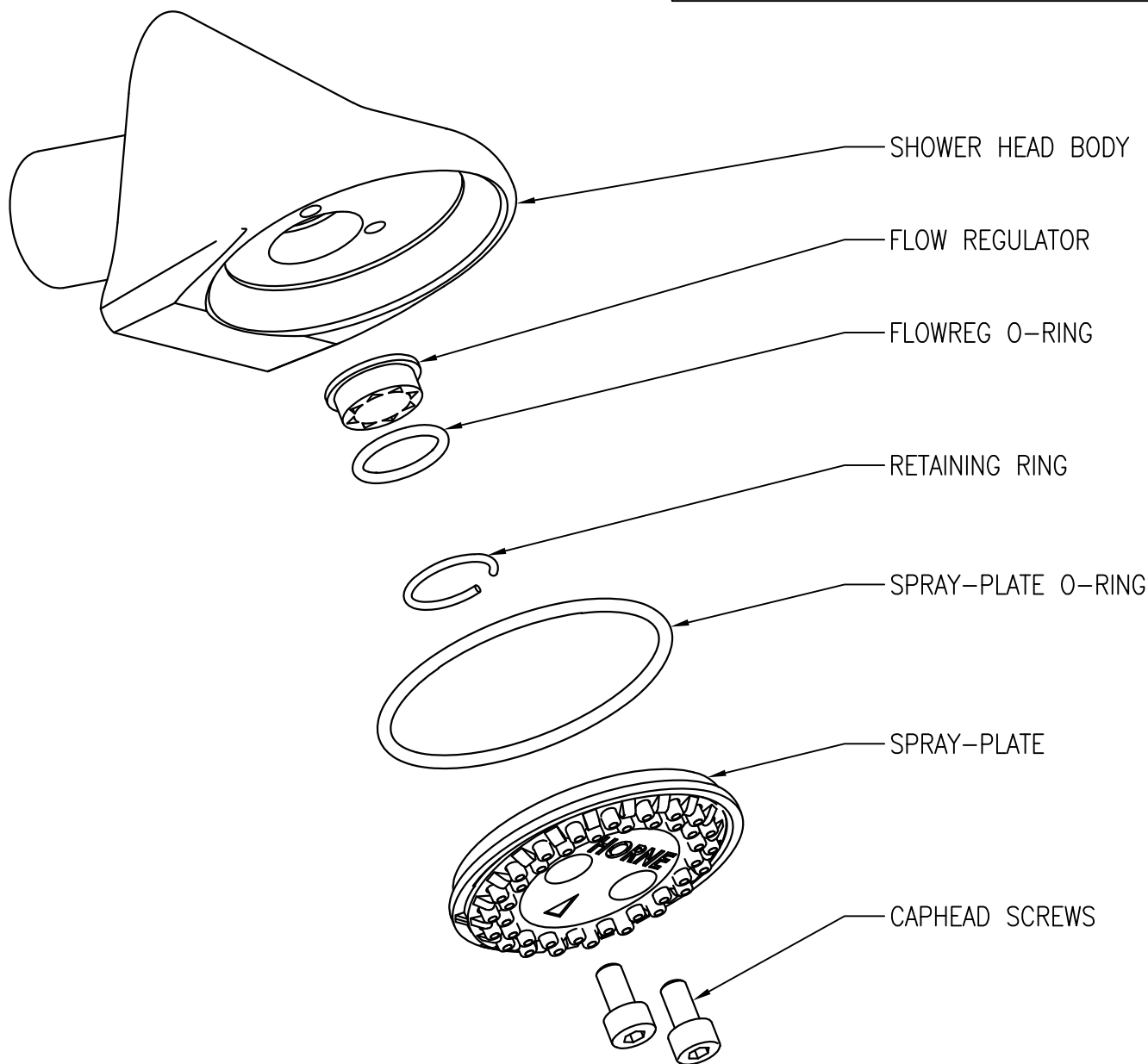
- 1> REMOVE THE 2 CAPHEAD SCREWS (USING 3MM HEX KEY)
- 2> PRISE SPRAYPLATE OUT WITH A BLADE OR SIMILAR
- 3> REMOVE THE RETAINING RING
- 4> REMOVE FLOW REGULATOR WITH ITS O-RING

STEPS <3> AND <4> CAN BE DONE BY TURNING ON THE WATER SUPPLY AND CATCHING THE PARTS IN A BUCKET

TO RE-FIT FLOW REGULATOR

- 1> INSERT FLOWREG INTO HOLE, FLANGED SIDE UP (FACING THE WATER SUPPLY)
- 2> PUSH O-RING INTO GAP AROUND FLOWREG
- 3> INSERT RETAINING RING
- 4> FIT THE LARGE O-RING ONTO THE SPRAYPLATE AND FIT THE SPRAYPLATE
- 5> RE-FIT THE CAPHEAD SCREWS

NOTE THAT THE SPRAY PLATE CAN BE FITTED IN 2 DIFFERENT ORIENTATIONS TO ALLOW GREATER OR LESSER 'THROW' OF THE WATER.



COPYRIGHT 2012, HORNE ENGINEERING LTD. ALL REPRODUCTION PROHIBITED UNLESS AUTHORISED IN WRITING

MATERIAL : MATERIAL SPECIFICATION		HORNE ENGINEERING LTD. JOHNSTONE RENFREWSHIRE	
PART : REMOVAL / REPLACEMENT OF FLOW REGULATOR (VANDAL RESISTANT HEAD)	PRODUCT : HORNE SHOWER PANELS	SCALE	DO NOT SCALE
		DRAWN	MJ (18/11/2013)
		CHECKED	
		ISSUE	2
		DR'G. No. 10393	

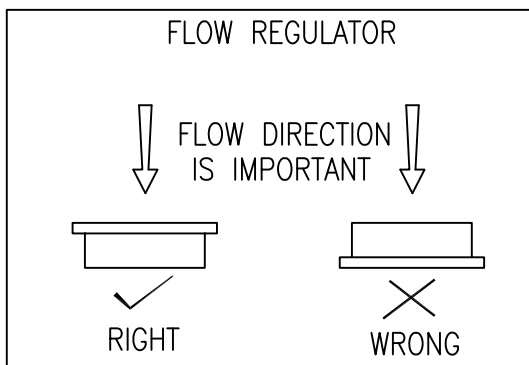
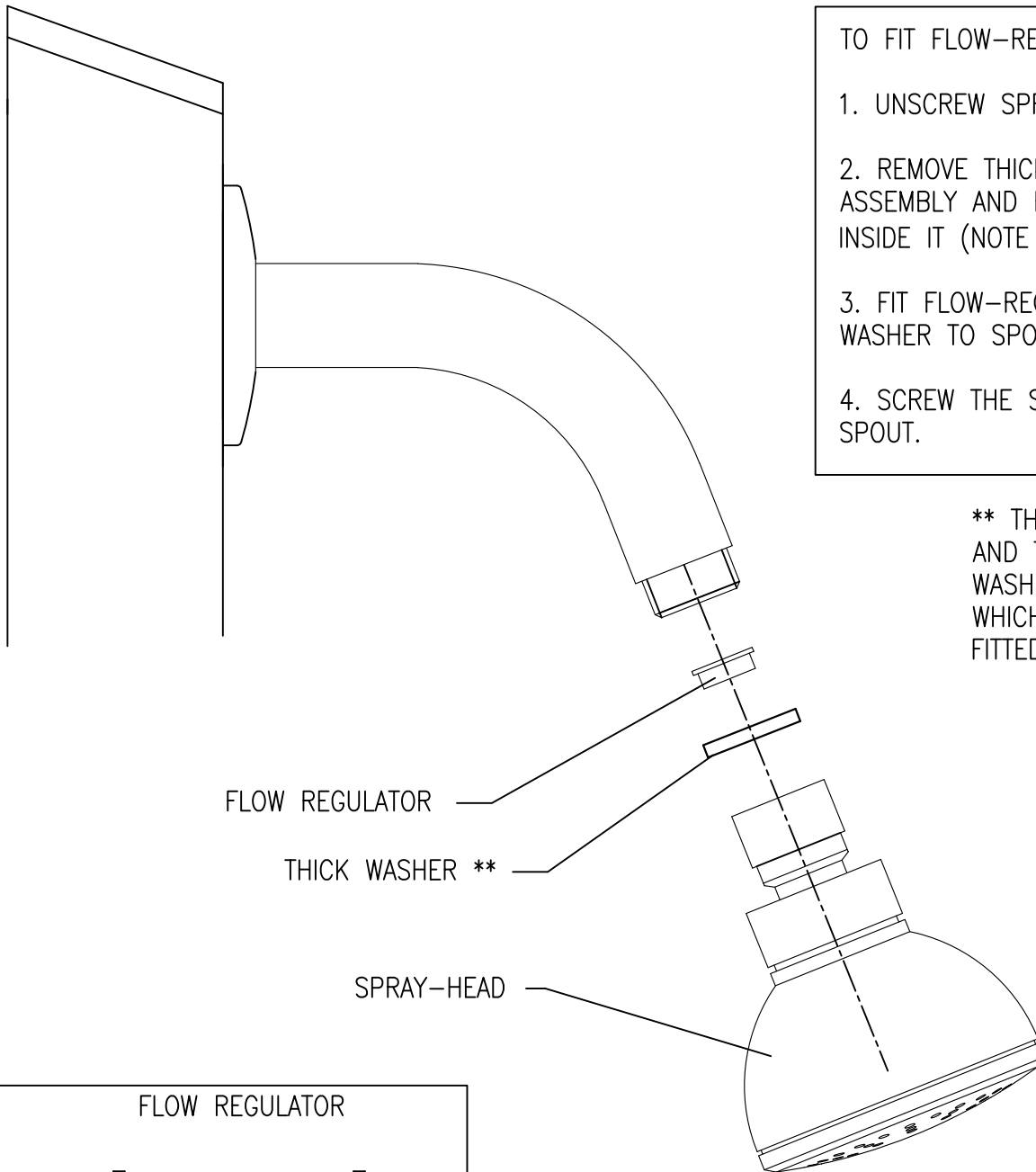
TO REMOVE FLOW-REGULATOR

1. UNSCREW SPRAY-HEAD FROM ANGLED TUBE
2. REMOVE FLOW REGULATOR AND WASHER
3. REPLACE WASHER
4. REFIT SPRAY-HEAD

TO FIT FLOW-REGULATOR

1. UNSCREW SPRAY-HEAD
2. REMOVE THICK WASHER FROM ASSEMBLY AND FIT FLOW-REGULATOR INSIDE IT (NOTE FLOW DIRECTION)
3. FIT FLOW-REGULATOR AND THICK WASHER TO SPOUT
4. SCREW THE SPRAY-HEAD TO THE SPOUT.

** THE EXACT NUMBER AND THICKNESS OF WASHERS WILL DEPEND ON WHICH SWIVEL-HEAD IS FITTED.



COPYRIGHT 2016, HORNE ENGINEERING LTD. ALL REPRODUCTION PROHIBITED UNLESS AUTHORISED IN WRITING

MATERIAL : N/A

HORNE ENGINEERING LTD.
JOHNSTONE
RENFREWSHIRE

PART :
REMOVAL/REPLACEMENT OF
FLOW REGULATOR

PRODUCT :
TSV1-106A/AB

SCALE	DO NOT SCALE
DRAWN	MJ (1/12/2020)
CHECKED	
ISSUE	5

DR'G. No. 9301B

FAULT FINDING CHART

SYMPTOM	POSSIBLE CAUSE	ACTION	REFER TO SECTION
Mixed water temperature too high	Temperature setting too high. Temperature has been set when the hot water temperature is too low	Re-adjust temperature setting	2.3
	Hot water has migrated into cold water supply	Inspect Check Valve at cold inlet If the check valve leaks replace the strainer body and check valve sub-assembly	3.8 Drg.11387
	Thermostat Element has failed. This can be checked by carrying out a hot or cold-water failure test.	Replace element (11)	3.4
Mixed water temperature too low	Temperature Setting too low	Re-adjust temperature setting	2.3
	Hot water supply temperature has fallen	Check hot water supply system	0.4
	Cold water has migrated into hot supply	Inspect Check Valve at hot inlet If the check valve leaks replace the strainer body and check valve sub-assembly.	3.8 Drg 11387
	Cold valve face requires cleaning	Remove valve Cover (14) and service valve face	3.6.2
Mixed water flow rate too low.	Partly blocked strainers	Clean strainers (4)	3.3
	Unusually high pressure-drop in supply pipework	Check all valves are full open. Check Pressurisation unit Check mains supply	
	Extra Demand added to system	Check pipe sizing	
Mixed water temp does not respond to adjusting screw	Slide-Valve (10) is seized	Valve requires de-scaling	3.6
	Hot and cold inlets reversed	Connect inlet with red dot to hot supply, and inlet with blue dot to cold supply.	1.8
Mixed water temp changes and is not steady	Slide-Valve (10) is seized	Valve requires De-Scaling	3.6
	Thermostat element has failed (This can be checked by carrying out a hot or cold-water failure test)	Replace element (11)	3.4
Water at outlet runs full hot or full cold	Hot and cold inlets are reversed	Connect inlet with red dot to hot supply, and inlet with blue dot to cold supply.	1.8
Valve continues to pass cold-water when hot supply is isolated	Cold valve face requires cleaning	Remove valve cover (14) and service cold valve face	3.6.2
	Fouling at hot valve seat	Clean hot valve face	3.6.2
Valve continues to pass hot water when cold supply is isolated	Slide-Valve seal is damaged	Replace Slide-Valve Seal (9)	3.2.1
	Element has failed	Replace Element (11)	3.4

Horne Engineering Ltd
Rankine Street
Johnstone
SCOTLAND
PA5 8BG
Tel: +44 (0)1505 321455
Email: Technical@horne.co.uk
www.horne.co.uk

Brochure Ref: L-178 (T20XA)

COMMISSIONING, MAINTENANCE & IN-SERVICE TESTING RECORD

Establishment:					
Type of Valve: HORNE TSV-TFC Shower Valve		Date Installed:		Installed by:	
Location of Valve:					
Commissioning Details [Fill in ALL information during commissioning]					
Hot Water Supply :	HW Temp	°C	HW Pressure	Bar	Temp:
Cold Water Supply:	CW Temp	°C	CW Pressure	Bar	Pressure:
Instrumentation:					
Mixed Temp at max draw-off:	Mixed Temp: °C		Flowrate at max draw-off: l/min		
Mixed Temp at low draw-off:	Mixed Temp: °C		Flowrate at low draw-off: l/min		
Instrumentation Used:	Temp:		Press:		Flow:
Cold Water Isolation Test	Max Mixed Water Temp during CW Isolation test: °C		Mixed Water Temp on restoration of CW Supply: °C		
Note: MWT should return within 2 degrees of set temp, and be no greater than 43°C after this test.					
Comments:					

In-Service Testing Record		Establishment:		Location of Valve:	
Date:		Type of Valve: HORNE TSV-TFC Shower Valve			
Hot Water Supply :	HW Temp	°C	HW Pressure	Bar	Instrument used (temp):
Cold Water Supply:	CW Temp	°C	CW Pressure	Bar	Instrument used (pressure):
Mixed Temp at max draw-off:	Mixed Temp:	°C	Flowrate at max draw-off:	l/min	
Mixed Temp at low draw-off:	Mixed Temp:	°C	Flowrate at low draw-off:	l/min	
Instrumentation Used:	Temp:		Press:	Flow:	
Cold Water Isolation Test	Max Mixed Water Temp during CW Isolation test: °C Mixed Water Temp on restoration of CW Supply: °C MWT should return within 2 degrees of set temp, and be no greater than 43°C after this test.				
Comments:				Recommended Date of Next In-Service Test:	

In-Service Testing Record		Establishment:		Location of Valve:	
Date:		Type of Valve : HORNE TSV-TFC Shower Valve			
Hot Water Supply :	HW Temp	°C	HW Pressure	Bar	Instrument used (temp):
Cold Water Supply:	CW Temp	°C	CW Pressure	Bar	Instrument used (pressure):
Mixed Temp at max draw-off:	Mixed Temp:	°C	Flowrate at max draw-off:	l/min	
Mixed Temp at low draw-off:	Mixed Temp:	°C	Flowrate at low draw-off:	l/min	
Instrumentation Used:	Temp:		Press:	Flow:	
Cold Water Isolation Test	Max Mixed Water Temp during CW Isolation test: °C Mixed Water Temp on restoration of CW Supply: °C MWT should return within 2 degrees of set temp, and be no greater than 43°C after this test.				
Comments:				Recommended Date of Next In-Service Test:	

Pipe Cover Kit for Aluminium Shower Panels with In-Line Thermal Disinfection Unit (ILTDU) Fitted INSTALLATION INSTRUCTIONS

Installation requirements and specifications

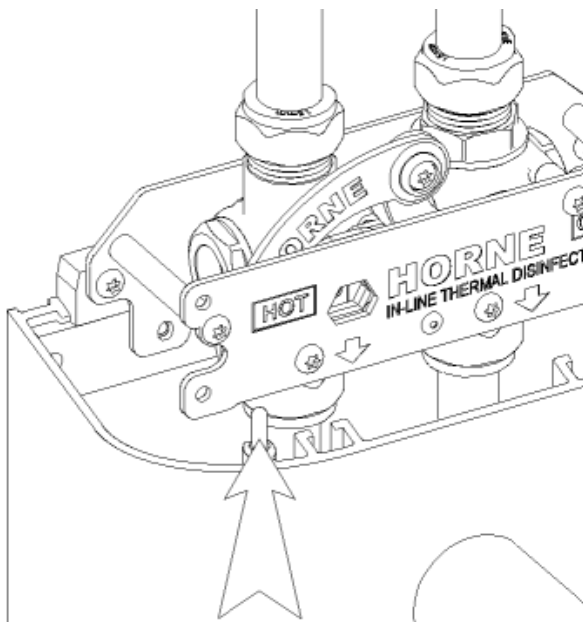
Note that this Pipe Cover Kit is ONLY suitable for the Horne Range of **Aluminium** Shower Panels. It is not suitable for the Horne Range of Stainless Steel Panels; a separate Pipe Cover Kit is available to suit the Stainless Steel panel range.

There are two different lengths of Pipe Cover Kit available for Aluminium Shower Panels – 465mm long and 940mm long. Please ensure that you have the appropriate length for your application.

Ensure that you have been supplied with the correct Pipe Cover Kit and that the Pipe Cover is long enough to fully cover the gap between the panel and the ceiling.

Fit the Aluminium Shower Panel to the wall in accordance with the Installation Instructions supplied. Note that in order to fully comply with the requirements of the Water Supply (Water Fittings) Regulations 1999, a single approved check valve should be fitted at each inlet.

Identify the components of the pipe cover kit by comparing the contents with the drawing shown on Page 4.



The Width Brace (Item 8) is already factory fitted to the panel to support the ILTDU.

Put the two Alignment Pins (Items 6) into the circular recesses in the Channel Section of the Shower Panel. See Fig. 1.

Fig. 1

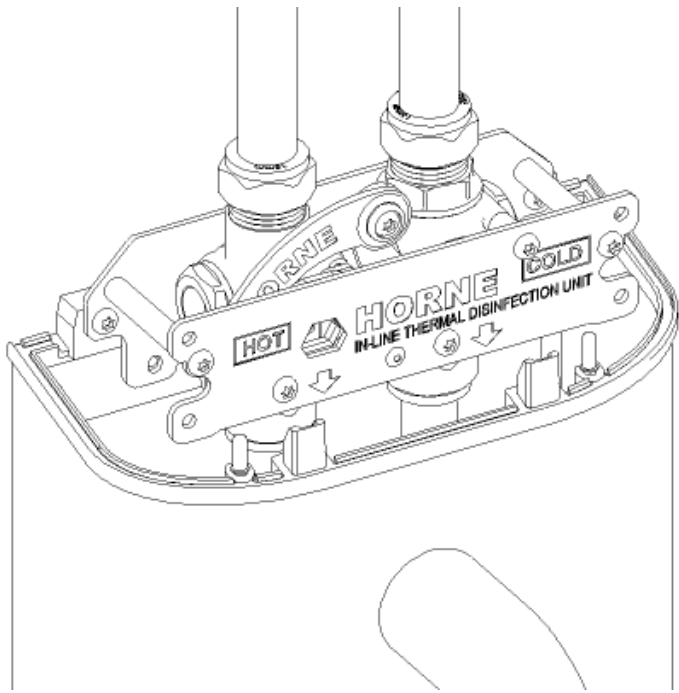


Fig. 2

Place the shaped Gasket (Item 5) onto the top of the Shower Panel, noting that it only fits one way, and that the rectangular legs engage with the rectangular recesses in the Channel Section of the Shower Panel. See Fig. 2.

Slide the Pipe Cover (Item 4) down into place, engaging with both the Alignment Pins (Items 6) and the Gasket (Item 5). If there are multiple cover sections, this should be repeated, ensuring the bottom section includes the key hole for ILTDU operation and leaving the section with the 90° end cut closest to the ceiling. If the Pipe Cover(s) is too long to do this, then measure the gap between the ceiling and the panel and cut the square TOP end of the Pipe Cover to make the Pipe Cover 15mm **SHORTER** than the gap using a saw suitable for use with aluminium. **NB. DO NOT CUT THE ANGLED END OF THE PIPE COVER** or it will not fit neatly onto the top of the Shower Panel. See Fig. 3 and 4.

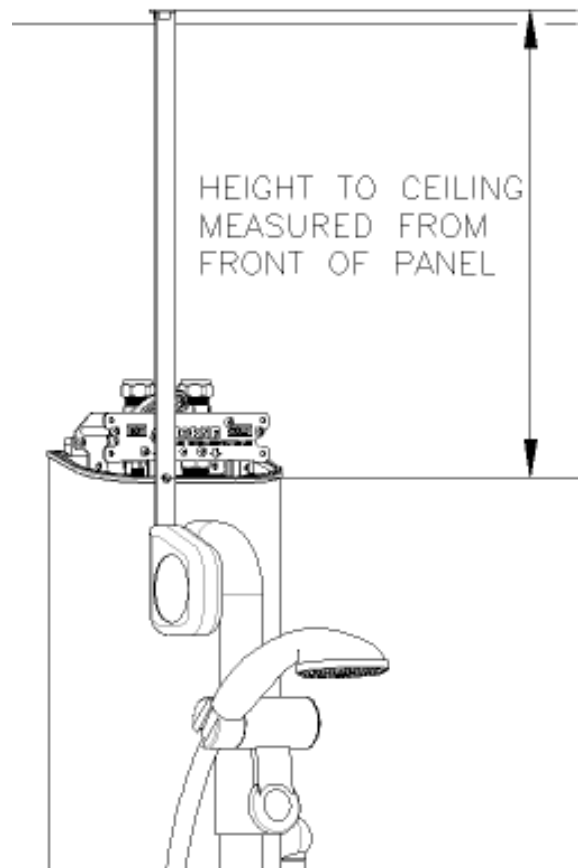


Fig. 3

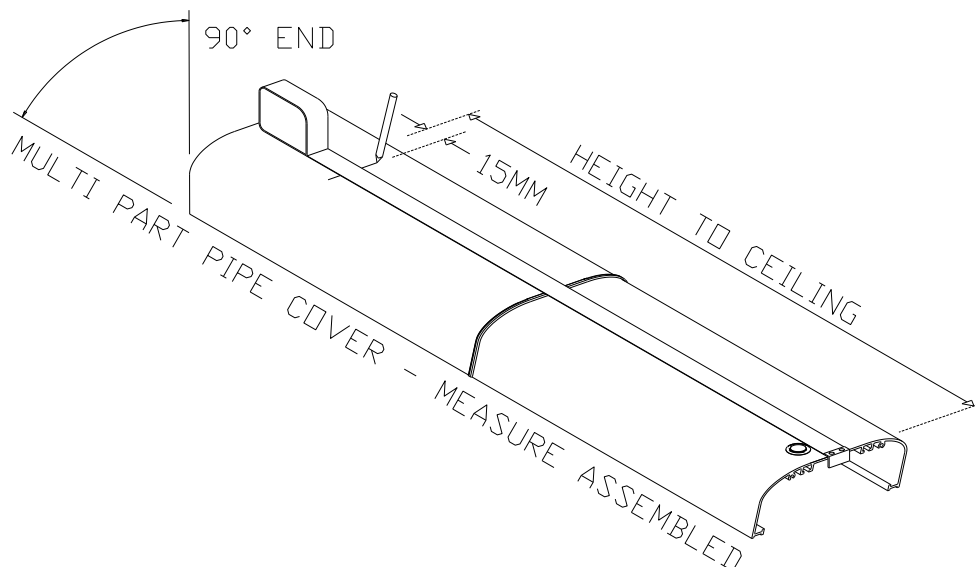


Fig. 4

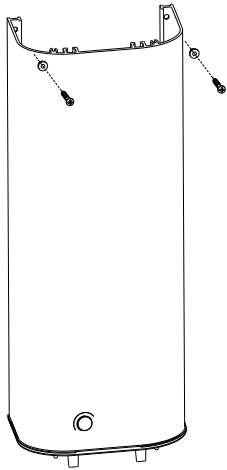


Fig 5.

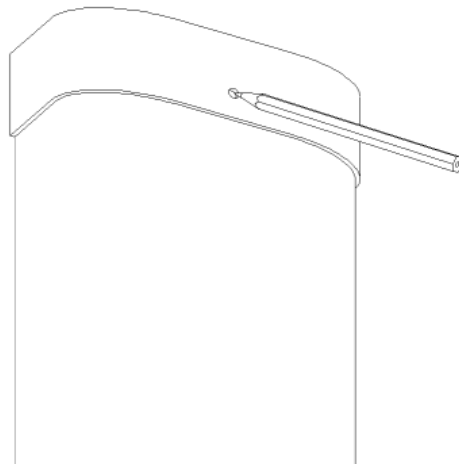


Fig 6.

For multi-section pipe covers, the intermediate lengths should be secured to the wall using the mounting holes available at the angled top cut.

Install the lowest section with gasket and alignment pins, atop the mounted shower panel. Mark off the mounting points and then secure the lower cover portion to the wall with supplied screws and bushes, using wall plugs where necessary. See Fig. 5

Slide the Pipe Cover (or top sections thereof) down into place and check for fit. The top of the Pipe Cover should be approx. 15mm from the ceiling when pressed firmly into place. Position the Saddle over the top of the Pipe Cover and against the ceiling with the hole in its lower position. Mark through the hole in the Saddle onto the Pipe Cover. See Fig. 6.

Remove the Saddle (Item 3) and Pipe Cover (Item 4) and drill the Pipe Cover (Item 4) with a 7 mm drill where marked. See Fig. 7.

Replace the Saddle (Item 3) and Pipe Cover (Item 4) and put in the screw to mark the wall. Ensure the mark made, **is with the screw perpendicular to the panel**. If appropriate, drill the wall to take the screw, or fit appropriate wall plugs. **N.B. Make sure that no debris enters the ILTDU during this if the pipe drops have not been installed.**

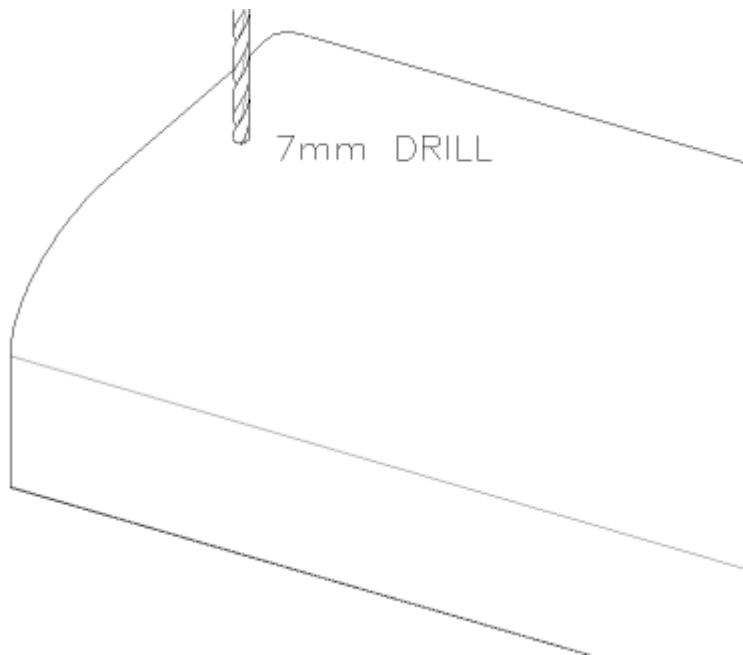
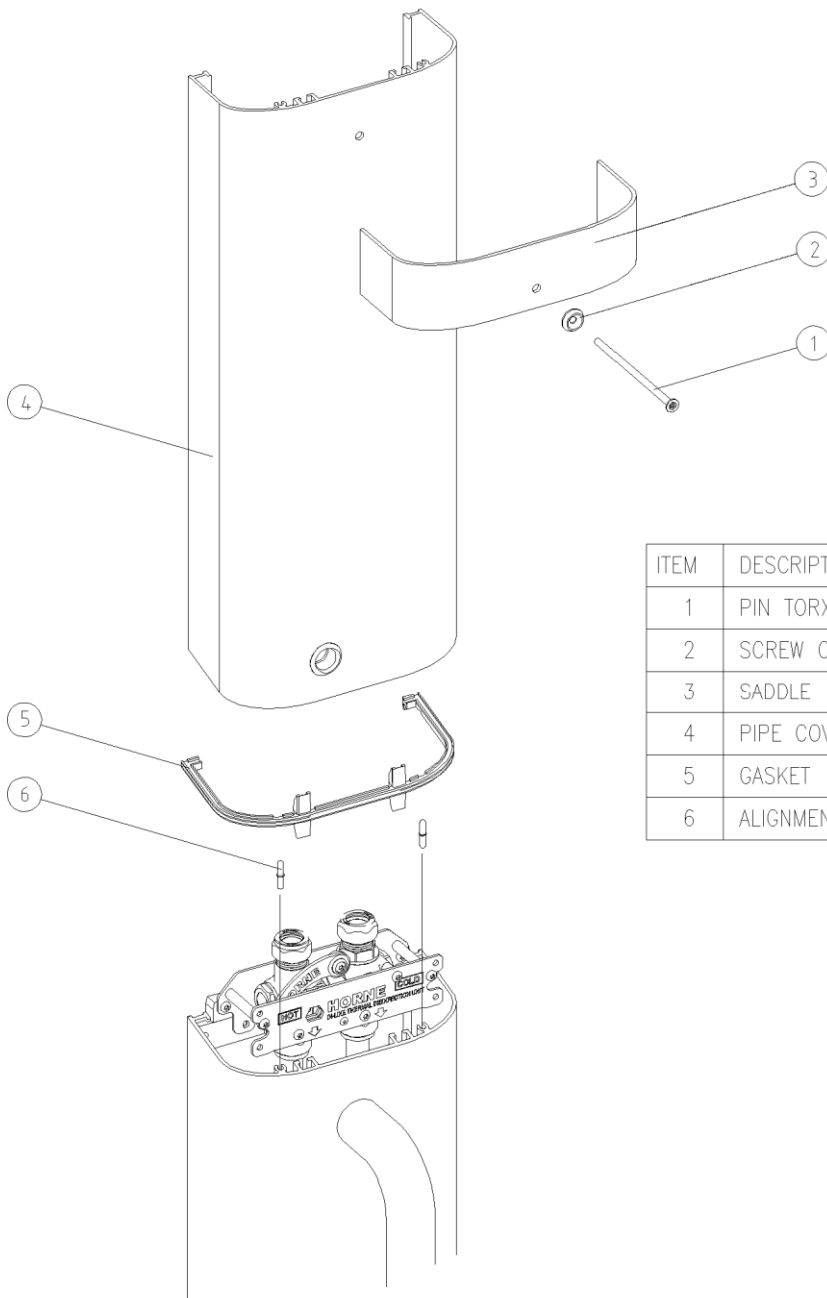


Fig. 7.

Finally, assemble the saddle to the cover by putting the Pin-Torx Security Screw (Item 1) through the Screw Cup and through the Saddle and Pipe Cover. **Do not over-tighten the Pin-Torx screw or the Saddle edges will splay out and give a poor appearance.** Silicone sealer can be used at the joint edges if required.

The drawing on Page 4 shows the exploded assembly view of the Pipe Cover and Saddle installation. *Note that pipe cover assemblies with multiple sections, will have multiples of some of the items listed.*



ITEM	DESCRIPTION	No OFF
1	PIN TORX SECURITY SCREW	1
2	SCREW CUP	1
3	SADDLE	1
4	PIPE COVER (465mm or 940mm)	1
5	GASKET	1
6	ALIGNMENT PIN	2

COPYRIGHT 2009, HORNE ENGINEERING LTD. ALL REPRODUCTION PROHIBITED UNLESS AUTHORISED IN WRITING

THIS DRAWING CONTAINS CONFIDENTIAL AND PROPRIETARY INFORMATION OF HORNE ENGINEERING LTD AND UNAUTHORISED DISCLOSURE IS STRICTLY PROHIBITED

MATERIAL : -

HORNE ENGINEERING LTD.
JOHNSTONE
RENFREWSHIRE

PART :

PIPE COVER KIT FOR
ILTDU PANELS

PRODUCT :

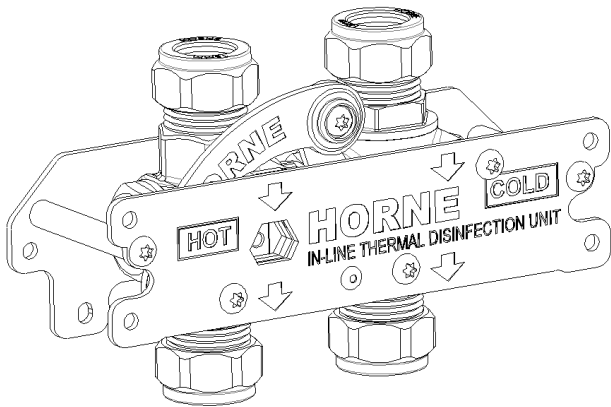
ALUMINIUM SHOWER
PANELS WITH ILTDU

SCALE	DO NOT SCALE
DRAWN	GDP 17-6-09
CHECKED	
ISSUE	1

DR'G. No. 10334B

OPERATING INSTRUCTIONS ADDENDUM

In-Line Thermal Disinfection Unit (ILTDU) Supplied with Horne Thermostatic Shower Panels.



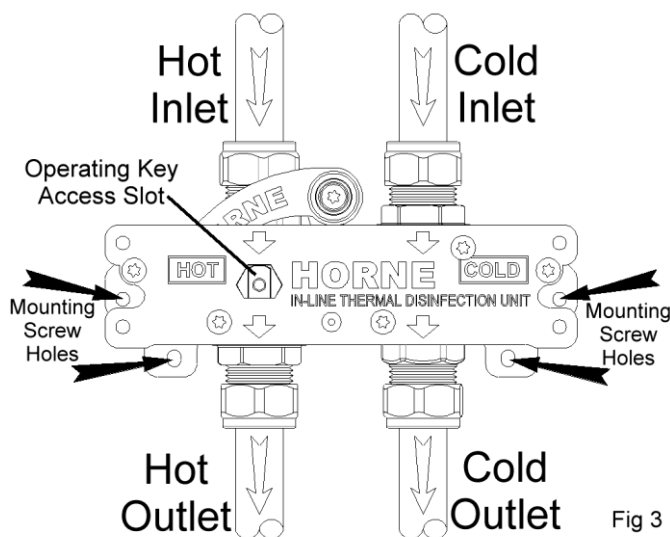
Foreword

The Horne In-Line Thermal Disinfection Unit (ILTDU) is a device that enables system temperature hot water to be simply and reliably passed through the Shower in order to thermally disinfect the downstream pipework, the integral Type 3 Shower or Mixing Valve, the Shower Hose and the Shower Head or Handset. Thermal disinfection is the preferred method of eliminating pseudomonas and legionella bacteria. The ILTDU is housed on top of the Shower Panel inside the Pipe Cover.

Connect up the supplies, Leak-Test, and Commission the ILTDU

Ensure that the installation is free from leaks and then commission the ILTDU as follows:

- The ILTDU will not operate as intended unless it is configured exactly as shown in Fig. 3. It is expressly not permissible to swap over inlets and outlets, or hot and cold pipework, even if these are done symmetrically. Check the plumbing against the connections shown in Fig. 3.
- **Before** inserting the OPERATING KEY, open the supplies and run the outlet until normal temperature at the outlet is reached. Measure and record this temperature. Ensure that the HOT water pipe to the mixing device is HOT, and that the COLD water pipe to the mixing device is COLD.
- Insert the OPERATING KEY into the ACCESS SLOT on the front plate.
- Turn the OPERATING KEY exactly a half turn clockwise, until you feel the mechanism reaching the end stop. The short leg of the OPERATING KEY should now be pointing upwards, towards the inlet pipework.



- The OPERATING KEY cannot be removed from the ILTDU in this position. This is intentional, to prevent the ILTDU from being accidentally left in the DISINFECTING MODE.

- Turn on the outlet and ensure that the HOT water pipe between the HORNE ILTDU and the mixing device is HOT, and also that the COLD water pipe between the HORNE ILTDU and the mixing device is HOT. BOTH pipes should be hot (this is how the HORNE ILTDU heats up the mixing device for disinfection purposes).

- Measure the water temperature at the outlet and ensure that it is at system hot water temperature.

- Note that a MINIMUM of 60.0°C is generally required. Temperatures even **slightly** lower than this will result in *impractically long disinfection durations being required*.
- Turn the OPERATING KEY back half a turn anti-clockwise against the end stop and remove the key. Ensure that the temperature at the outlet rapidly returns to normal.
- Perform a cold water isolation test on the shower to ensure that it is still providing scald protection.
- ALWAYS remove the OPERATING KEY from the HORNE ILTDU when the device is in the PASSIVE MODE. Do NOT leave the OPERATING KEY in the device when in PASSIVE mode.

The HORNE ILTDU is now commissioned.

Commission the Shower Panel by following the instructions for the panel.

Using the HORNE ILTDU

Before the ILTDU is used, a local risk assessment should be undertaken to establish:

- Any bacterial load present and the most appropriate time/temperature regime to deal with it.
- The scalding risk and how to minimise it during disinfection.
- Any necessary precautions to protect sanitary ware from the hot water.
- The most appropriate frequency for a disinfection routine to be scheduled.
- **LOCAL RISK ASSESSMENT SHOULD ALWAYS PREVAIL IN DICTATING THE PARAMETERS FOR DISINFECTION. In absence of this, hot water temperature of 60.0°C or greater, and duration of at least 10 minutes may be used as a starting point. Disinfection efficacy reduces drastically at temperatures even slightly below 60.0°C. Calibrate your thermometer if margins are tight.**

The use of the HORNE ILTDU as fitted to a shower will now be described.

- Ensure that the Hot Water Temperature available is consistent with that recommended by the local risk assessment. Note that a minimum of 60.0°C is normally required for disinfection.
- Ensure that no vulnerable people are able to access the outlet while the disinfection process is underway.
- Perform a cold water isolation test on the TMV being disinfected. If the cold water isolation test is satisfactory then proceed with the disinfection procedure. If the TMV does not pass the test, then address that, before proceeding, by following normal maintenance procedures for the TMV. These are described in the Instructions for the Shower Panel.
- Fully turn on the shower, and then insert the OPERATING KEY into the HORNE ILTDU. Turn the OPERATING KEY one half turn clockwise, against the end stop. The OPERATING KEY will remain in the HORNE ILTDU during this time – it cannot be removed.
- The red warning triangle attached to the OPERATING KEY serves as a highly visible reminder that the ILTDU is in DISINFECTING MODE. For this reason, do not use the OPERATING KEY should the red warning triangle be missing.
- **Note: Do NOT remove the Shower Hose or the Shower Handset during thermal disinfection; it is vital that each of these parts is fully thermally disinfected.**
- **If any kind of filter is fitted to the outlet then we suggest that this is replaced with a clean filter before thermal disinfection, because the existing filter can act as a reservoir of concentrated bacteria and may lead to retrograde contamination of the Shower.**
- Measure the temperature of the water coming out of the shower head. This should rise to system hot water temperature. When it reaches the minimum temperature recommended by the local risk assessment, start timing, and permit the water to run for the required duration. Measure the temperature during this time to ensure that the temperature is maintained at the required high level. If the temperature does not reach the required level, or is not maintained at the required level, stop the process and address the water temperature. Satisfactory disinfection cannot be assured otherwise.
- After the water has run for the required time at the required temperature, turn the OPERATING KEY one half turn anti-clockwise back to its original position, again against the end stop, and then remove the key. Always remove the OPERATING KEY whenever the ILTDU is returned to the PASSIVE mode. Do not leave the OPERATING KEY in the ILTDU when it is in PASSIVE mode.
- Let the shower run for a few minutes and monitor the temperature to make sure the water temperature drops to a safe and comfortable limit.
- Perform a cold water isolation test on the TMV and ensure that it closes off the hot water supply, and is thus still preventing scalding, then check that the correct mixed water temperature is re-established. If the TMV does not pass the cold water isolation test, perform regular maintenance operations on the

TMV, and do not allow use of the shower panel until the TMV satisfactorily prevents hot water flow on isolation of the cold inlet.

- Record the parameters of the disinfection process on a record sheet (see page 8 of this document, or download a customisable sheet from www.horne.co.uk)

- Note that disinfecting is a separate process from cleaning. This process will disinfect the TMV and pipework, but will not, in itself, clean the system. It is advisable to perform a high velocity flushing procedure, using an appropriate Horne Flushing Kit for the Shower, to encourage removal of loosened biofilm and accumulated debris. The use of a Horne Flushing Kit permits full-bore flushing and bypasses flow regulators within the TMV in order to ensure flushing the pipework with the maximum water velocity possible.

Maintenance

The HORNE ILTDU has no user serviceable parts, and does not require any ongoing maintenance, other than occasional cleaning and lubrication of the metal link mechanism to prevent jams.

If the ILTDU fails to work properly, it should be replaced. No attempt should be made to disassemble the ILTDU.

If the OPERATING KEY is lost, do not attempt to operate the ILTDU without it. It will not operate satisfactorily, the ILTDU could be damaged, and it could be dangerous. Replacement Keys (Part No 6236) can be ordered from Horne Engineering Ltd (contact details on front cover).

The Horne ILTDU is patented. UK Patent No UK2948716B3. EU Patent No. EU2948716B3.

International Patents: AU2014208950; CA2898656; CNZL201480009948.1; DK2948716; HK1200521B; IL240094; JP6275748; RU 2621659; US9702470

RECORD SHEET for HORNE In-Line Thermal Disinfection Unit (ILTDU)
(Integral to Horne TSV1 Shower Panel)

In-Service Usage Record			
Establishment: Location of ILTDU: Shower Outlet protected:			

Date:	Facilities Operator	Elevated velocity flush carried out too?	Yes/No
Temperature measured at outlet during thermal disinfection:°C	Duration of thermal Disinfection: mins	cfu count before use: (if appropriate)	cfu count after use: (if appropriate)

Date:	Facilities Operator:	Elevated velocity flush carried out too?	Yes/No
Temperature measured at outlet during thermal disinfection:°C	Duration of thermal Disinfection: mins	cfu count before use: (if appropriate)	cfu count after use: (if appropriate)

Date:	Facilities Operator:	Elevated velocity flush carried out too?	Yes/No
Temperature measured at outlet during thermal disinfection:°C	Duration of thermal Disinfection: mins	cfu count before use: (if appropriate)	cfu count after use: (if appropriate)

Date:	Facilities Operator :	Elevated velocity flush carried out too?	Yes/No
Temperature measured at outlet during thermal disinfection:°C	Duration of thermal Disinfection: mins	cfu count before use: (if appropriate)	cfu count after use: (if appropriate)

Date:	Facilities Operator :	Elevated velocity flush carried out too?	Yes/No
Temperature measured at outlet during thermal disinfection:°C	Duration of thermal Disinfection: mins	cfu count before use: (if appropriate)	cfu count after use: (if appropriate)

Date:	Facilities Operator :	Elevated velocity flush carried out too?	Yes/No
Temperature measured at outlet during thermal disinfection:°C	Duration of thermal Disinfection: mins	cfu count before use: (if appropriate)	cfu count after use: (if appropriate)