

### **INCLUSIVE DESIGN** TSV1 SHOWER PANEL WITH LEVER CONTROLS, RISER RAIL, FLEXIBLE HOSE AND SINGLE FUNCTION HAND SET

Includes integral Type 3 Approved thermostatic shower valve pre-plumbed within a white (RAL 9010) epoxy-polyester powder-coated aluminium panel with lever hand controls, single function handset, hose and riser rail in dementia-friendly Deep Orange.



### **FEATURES & BENEFITS**

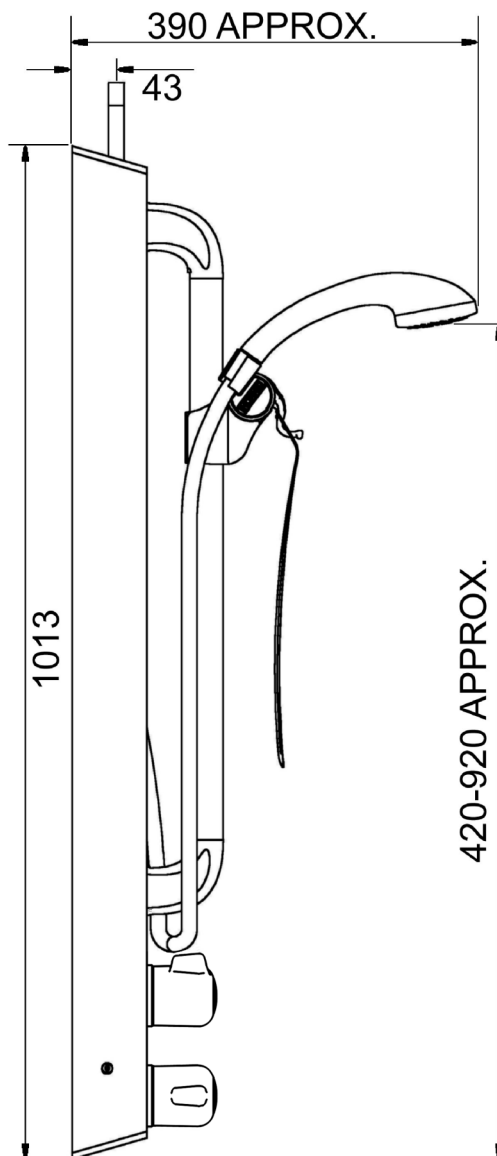
- Durable, anodised and powder-coated (RAL 9010, LRV=84) panel and robust fittings ensure long lifespan
- Integral healthcare-approved TSV1-3 shower valve with BS8300 compliant lever controls
- Robust riser rail in Deep Orange with inclusive design handset holder
- Single function handset with easy-clean and anti-kink 1.25m hose with PVC liner
- Integral 8 L/min flow regulator for water and energy conservation
- Low level integral servicing valves for ease of maintenance and performance testing
- Fast and easy installation, for new or retrofit applications
- Pressure tested assembly, to 16 bar
- Optional accessories:
  - Pipe cover kit, same profile as panel
  - 2 metre hose, part number SA-108B

The TSV1-3 thermostatic shower valve is Type 3 and UK Water Regulation 4 Approved.



Dimensions in mm

Original Drawing Ref: 10367



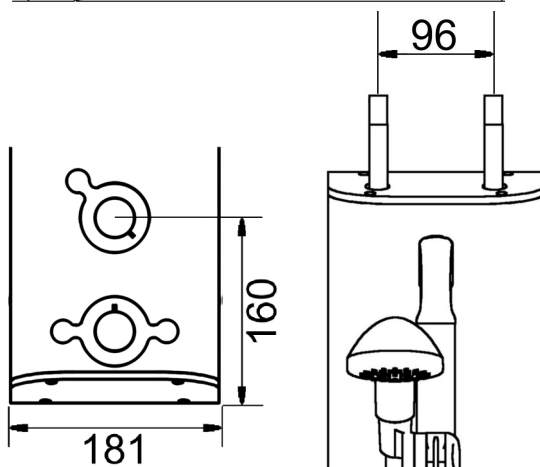
The **T1Y8A2L** shower panel is pre-plumbed with an integral dual control Type 3 approved thermostatic mixing valve, which features:

- Low level isolating servicing valves
- Integral fine mesh strainers provide essential protection to internal mechanism of the valve and ancillary fittings
- Angle pattern inlets enable easy access to the strainers
- Integral check valves prevent cross migration of water supplies
- Flushing facility to allow water supplies to be flushed clean during commissioning

### Operating Conditions (Type 3 TMV):

- Range of temperature adjustment up to pre-set maximum, usually 41°C at the shower head
- Range of hot water supply temperature: 55 — 65°C
- Maximum static pressure: 10 bar
- Minimum differential between hot water temp. and mixed water temp.: 5°C
- Range of maintained water supply pressures: 0.2—5 bar

*Unequal pressures are usually acceptable if gravity-pressure supplies one of the inlets: minimum 0.2 Bar. When both supplies are pumped, pressures should be nominally balanced.*



HORNE ENGINEERING LTD, P O BOX 7, Rankine Street, Johnstone, PA5 8BD.  
Tel: +44 (0)1505 321455 Fax: +44 (0)1505 336287  
Email: sales@horne.co.uk web: www.horne.co.uk



Certificate No. FM 1224