

T105B DUAL CONTROL SHOWER PANEL

HORNE TSV1 SHOWER PANEL WITH DUAL CONTROL THERMOSTATIC MIXING VALVE AND VANDAL RESISTANT SHOWER HEAD

Includes integral Type 3 Approved thermostatic shower valve pre-plumbed within a white (RAL 9010) epoxy-polyester powder-coated aluminium panel with hand controls and vandal resistant shower head in chromium plated finish.

Connections by flexible Soft-PEX braided hose for concealed water supply.



FEATURES & BENEFITS

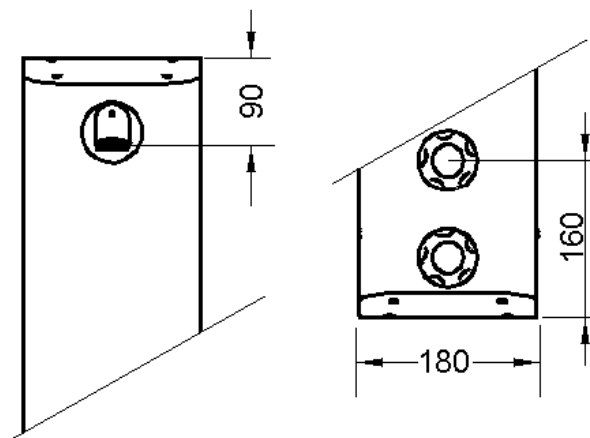
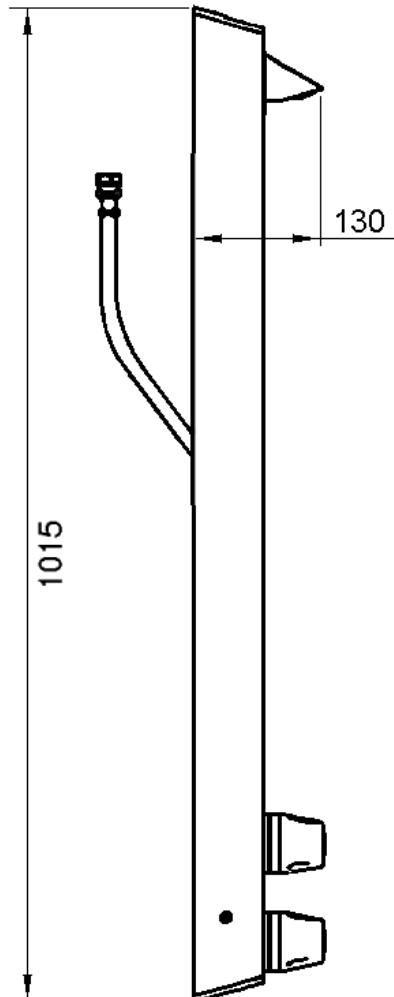
- Robust, anodised and painted (RAL 9010) panel and fittings ensure long lifespan
- Integral Type 3 Approved shower valve - dual control
- Pressure and performance tested pre-plumbed assembly
- Fixed vandal and ligature resistant shower head
 - * Large size spray plate
 - * Two directional spray settings
 - * Easy to clean and maintain
- Integral 8 L/min flow regulator for water and energy conservation
- Low level integral isolating service valves for ease of maintenance
- Highly suitable for retrofit applications
- Fast and easy installation

The TSV1-3 thermostatic shower valve is Type 3 and UK Water Regulation 4 Approved.



Dimensions in mm

Original Drawing Ref: 10342



The **T105B** shower panel is pre-plumbed with an integral dual control Type 3 Approved thermostatic mixing valve, which features:

- Integral fine mesh strainers provide essential protection to internal mechanism of the valve and ancillary fittings
- Angle pattern inlets enable easy access to the strainers
- Integral check valves prevent cross migration of water supplies
- Flushing facility to allow water supplies to be flushed clean during commissioning

Operating Conditions (Type 3 TMV):

- Range of temperature adjustment up to a pre-set maximum, usually 41°C at the showerhead
- Range of hot water supply temperature: 55 — 65°C
- Maximum static pressure: 10 bar
- Minimum differential between hot water temp. and mixed water temp.: 5°C
- Range of maintained water supply pressures: 0.2 — 5 bar

Unequal pressures are usually acceptable if gravity-pressure supplies one of the inlets: minimum 0.2 Bar. When both supplies are pumped, pressures should be nominally balanced.

HORNE ENGINEERING LTD, PO BOX 7, Rankine Street, Johnstone, PA5 8BD.
Tel: +44 (0)1505 321455 Fax: +44 (0)1505 336287
Email:sales@horne.co.uk web: www.horne.co.uk



Certificate No. FM 1224