

### T105A DUAL CONTROL SHOWER PANEL

HORNE TSV1 SHOWER PANEL WITH DUAL CONTROL THERMOSTATIC MIXING VALVE AND VANDAL RESISTANT SHOWER HEAD

Includes integral Type 3 Approved thermostatic shower valve pre-plumbed within a white (RAL 9010) epoxy-polyester painted aluminium panel with hand controls and vandal resistant shower head in chromium plated finish.



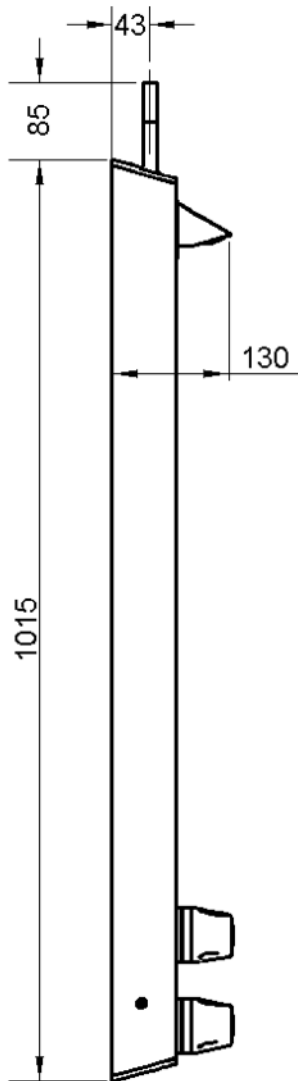
#### FEATURES & BENEFITS

- Robust, anodised and painted (RAL 9010) panel and fittings ensure long lifespan
- Pressure & tested pre-plumbed assembly
- Integral Type 3 Approved shower valve - dual control
- Fixed vandal resistant shower head
  - \* Large size spray plate
  - \* Two directional spray settings
  - \* Easy to clean and maintain
- Integral 8 L/min flow regulator for water and energy conservation
- Low level integral isolating service valves for ease of maintenance
- Highly suitable for retrofit applications
- Fast and easy installation
- Optional accessory:
  - Pipe cover in same profile as panel

The TSV1-3 thermostatic shower valve is Type 3 and UK Water Regulation 4 Approved.



Dimensions in mm Original Drawing Ref: 10340



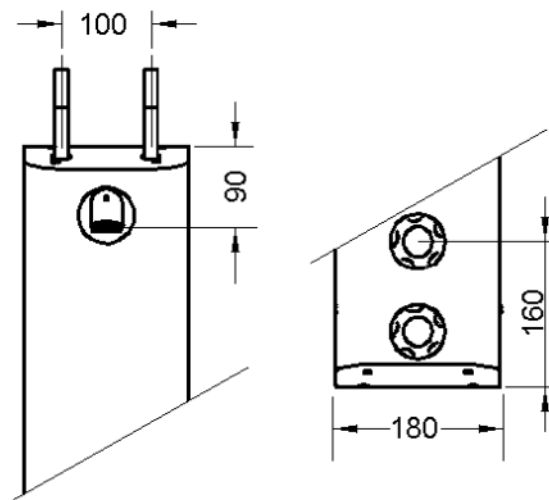
The **T105A** shower panel is pre-plumbed with an integral dual control Type 3 approved thermostatic mixing valve, which features:

- Low level isolating servicing valves
- Integral fine mesh strainers provide essential protection to internal mechanism of the valve and ancillary fittings
- Angle pattern inlets enable easy access to the strainers
- Integral check valves prevent cross migration of water supplies
- Flushing facility to allow water supplies to be flushed clean during commissioning

### Operating Conditions (Type 3 TMV):

- Range of temperature adjustment up to pre-set maximum, usually 41°C at the showerhead
- Range of hot water supply temperature: 55 — 65°C
- Maximum static pressure: 10 bar
- Minimum differential between hot water temp. and mixed water temp.: 5°C
- Range of maintained water supply pressures: 0.2—5 bar

*Unequal pressures are usually acceptable if gravity -pressure supplies one of the inlets: minimum 0.2 Bar. When both supplies are pumped, pressures should be nominally balanced.*



HORNE ENGINEERING LTD, PO BOX 7, Rankine Street, Johnstone, PA5 8BD.  
Tel: +44 (0)1505 321455 Fax: +44 (0)1505 336287  
Email: sales@horne.co.uk web: www.horne.co.uk



Certificate No. FM 1224