

HORNE TSV1 SHOWER PANEL

Includes integral Type 3 approved HORNE 15 thermostatic mixing valve pre-plumbed within a white epoxy-polyester powder-coated aluminium panel with push-button timed flow control, three function handset, hose and riser rail, integral **In-line Thermal Disinfection Unit**, and 465mm Pipe Cover.



FEATURES & BENEFITS

- Durable, anodised and powder-coated (RAL 9010) panel and robust fittings ensure long lifespan
- Integral healthcare approved Horne 15 thermostatic mixing valve (pre-set temp)
- In-Line Thermal Disinfection Unit with easy operation for periodic disinfection of pipework, valve and downstream fittings using local hot water supply
- 465mm Pipe Cover in same profile as panel with key access point for ILTDU operation
- Robust riser rail with inclusive design handset holder
- Three function handset with 1.25m easy-clean and anti-kink hose with PVC liner
- Integral 8 L/min flow regulator for water & energy conservation
- Push button timed flow control for water & energy conservation (duration 45 seconds)
- Low level integral servicing valves for ease of maintenance and performance testing
- Fast and easy installation, for new or retrofit applications
- Pressure tested assembly, to 16 bar
- Optional accessory: 2m hose
- part number SA-108B

The Horne 15 thermostatic mixing valve is Type 3 and UK Water Reg 4 Approved.
The integral ILTDU is UK Water Reg 4 Approved.



The **T307T4** shower panel is pre-plumbed with an integral Type 3 approved Horne 15 thermostatic mixing valve, which features:

- Low level isolating servicing valves
- Integral fine mesh strainers provide essential protection to the internal mechanism of the valve & ancillary fittings
- Angle pattern inlets enable easy access to the strainers
- Integral check valves prevent cross migration of water supplies
- Flushing facility to allow water supplies to be flushed clean during commissioning

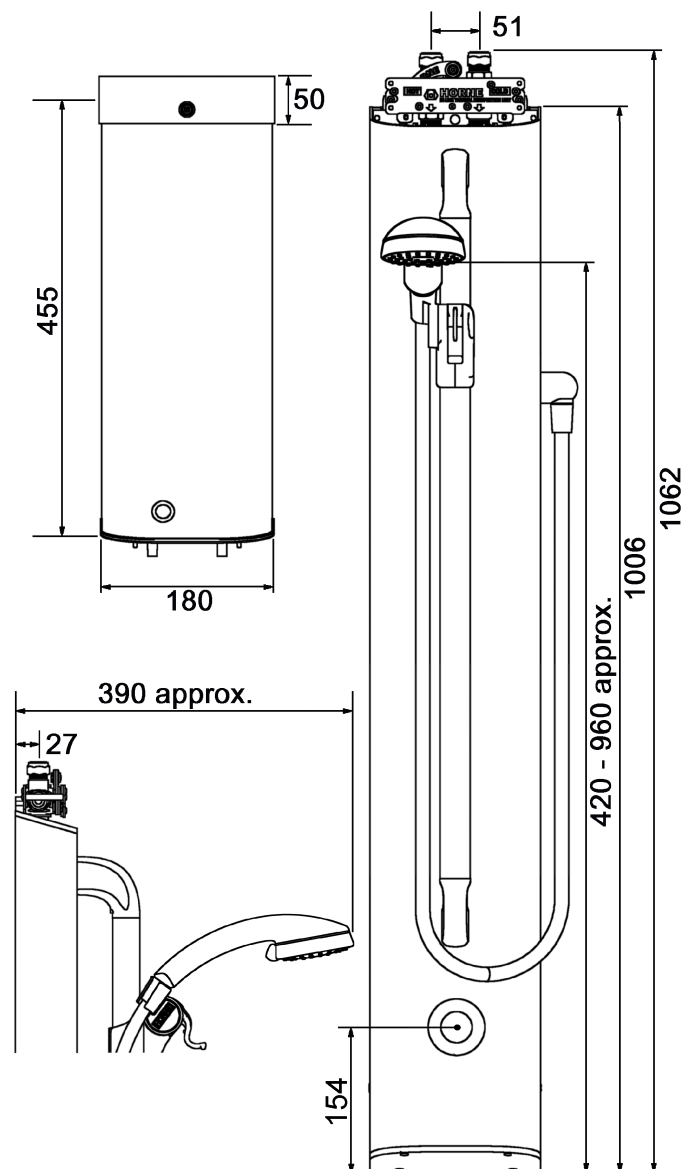
Operating Conditions (Type 3 TMV):

- Pre-set mixed water temperature, 41°C at the shower head
- Range of hot water supply temperature: 55 — 65°C
- Maximum static pressure: 10 bar
- Minimum differential between hot water temp. and mixed water temp.: 5°C
- Range of maintained water supply pressures: 0.5 — 5 bar

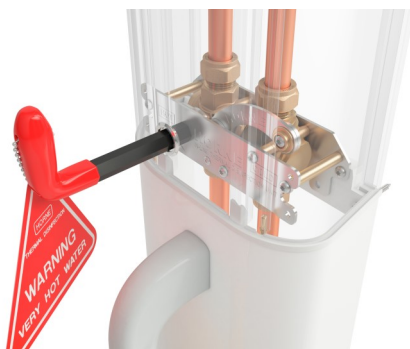
Unequal pressures are usually acceptable if gravity-pressure supplies one of the inlets: minimum 0.5 Bar. When both supplies are pumped, pressures should be nominally balanced.

Dimensions in mm

Original Drawing Ref: 11376



TOTAL HEIGHT OF PANEL + PIPECOVER
= 1062 + 2 + 455 + 50 - (OVERLAP)
- OVERLAP IS VARIABLE, 20-40mm
- 455 LENGTH CAN BE CUT TO SUIT



Thermal Disinfection using the ILTDU

For an explanation of its operating principals and further information on the recommended disinfection procedure, please refer to our ILTDU brochure and instructions.