

# HORNE®

Product datasheet:  
T1Y7T4

HORNE SHOWER PANEL WITH DUAL CONTROL THERMOSTATIC SHOWER VALVE, RISER RAIL, HOSE AND HANDSET, ILTDU AND PIPE COVER

Includes integral Type 3 approved thermostatic shower valve pre-plumbed within a white epoxy-polyester powder-coated aluminium panel with hand controls, three function handset, hose and riser rail, integral **In-line Thermal Disinfection Unit** and 465mm Pipe Cover.



## FEATURES & BENEFITS

- Durable, anodised and powder-coated (RAL 9010, LRV=84) panel & robust fittings ensure long lifespan
- Integral healthcare-approved TSV1 shower valve with standard dual controls
- In-Line Thermal Disinfection Unit with easy operation for periodic disinfection of pipe-work, valve and downstream fittings using local hot water supply
- 465mm Pipe Cover in same profile as panel with key access point for ILTDU operation
- Robust riser rail in Deep Orange with inclusive design handset holder
- Three function handset with 1.25m easy-clean and anti-kink 1.25m hose with PVC liner
- Integral 8 L/min flow regulator for water and energy conservation
- Low-level integral servicing valves for ease of maintenance and performance testing
- Fast and easy installation, for new or retrofit applications
- Pressure tested assembly, to 16 bar
- Optional accessory: 2 metre hose - part number SA-108B

The TSV1-3 thermostatic shower valve is Type 3 and UK Water Reg 4 Approved.  
The integral ILTDU is UK Water Reg 4 Approved.



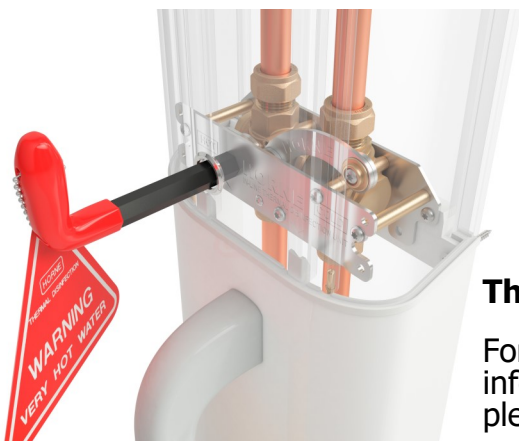
The **T1Y7T4** shower panel is pre-plumbed with an integral dual control Type 3 approved thermostatic mixing valve, which features:

- Low-level isolating servicing valves
- Integral fine mesh strainers provide essential protection to internal mechanism of the valve and ancillary fittings
- Angle pattern inlets enable easy access to the strainers
- Integral check valves prevent cross migration of water supplies
- Flushing facility to allow water supplies to be flushed clean during commissioning

### Operating Conditions (Type 3 TMV):

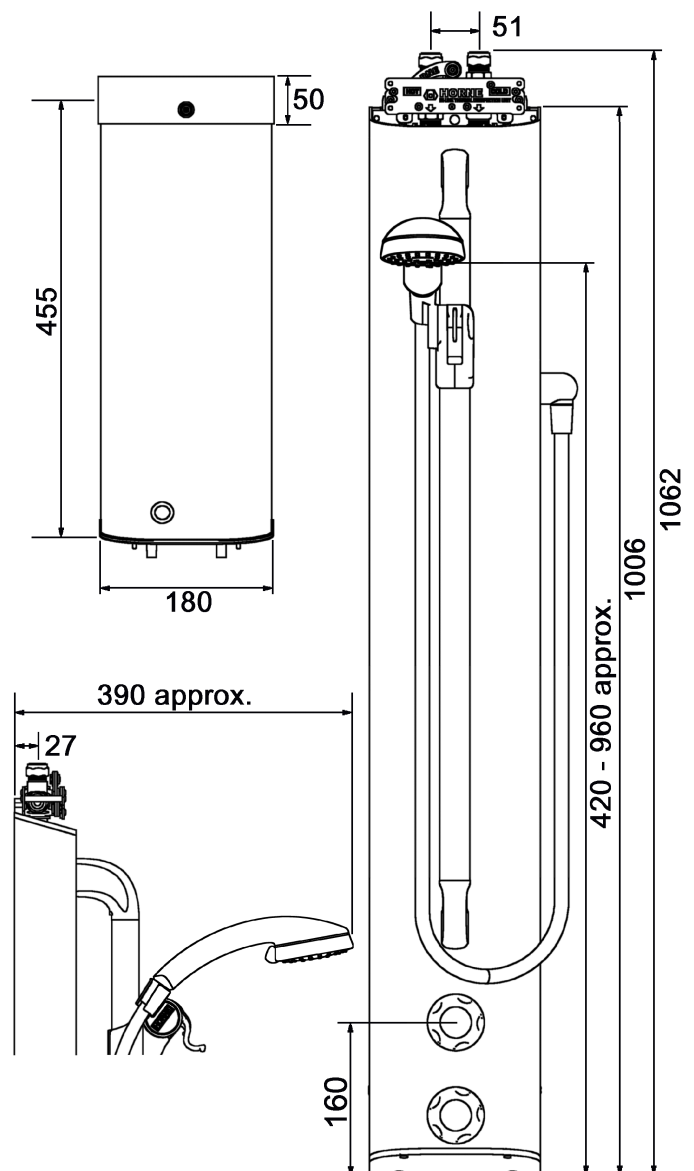
- Range of temperature adjustment up to pre-set maximum, usually 41°C at the shower head
- Range of hot water supply temperature: 55 — 65°C
- Maximum static pressure: 10 bar
- Minimum differential between hot water temp. and mixed water temp.: 5°C
- Range of maintained water supply pressures: 0.2 - 5 bar

*Unequal pressures are usually acceptable if gravity-pressure supplies one of the inlets: minimum pressure 0.2 Bar. When both supplies are pumped, pressures should be nominally balanced.*



Dimensions in mm

Original Drawing Ref: 11346



TOTAL HEIGHT OF PANEL + PIPECOVER  
= 1066 + 2 + 455 + 50 - (OVERLAP)  
- OVERLAP IS VARIABLE, 20-40mm  
- 455 LENGTH CAN BE CUT TO SUIT

### Thermal Disinfection using the ILTDU

For an explanation of its operating principals and further information on the recommended disinfection procedure, please refer to our ILTDU brochure and instructions.