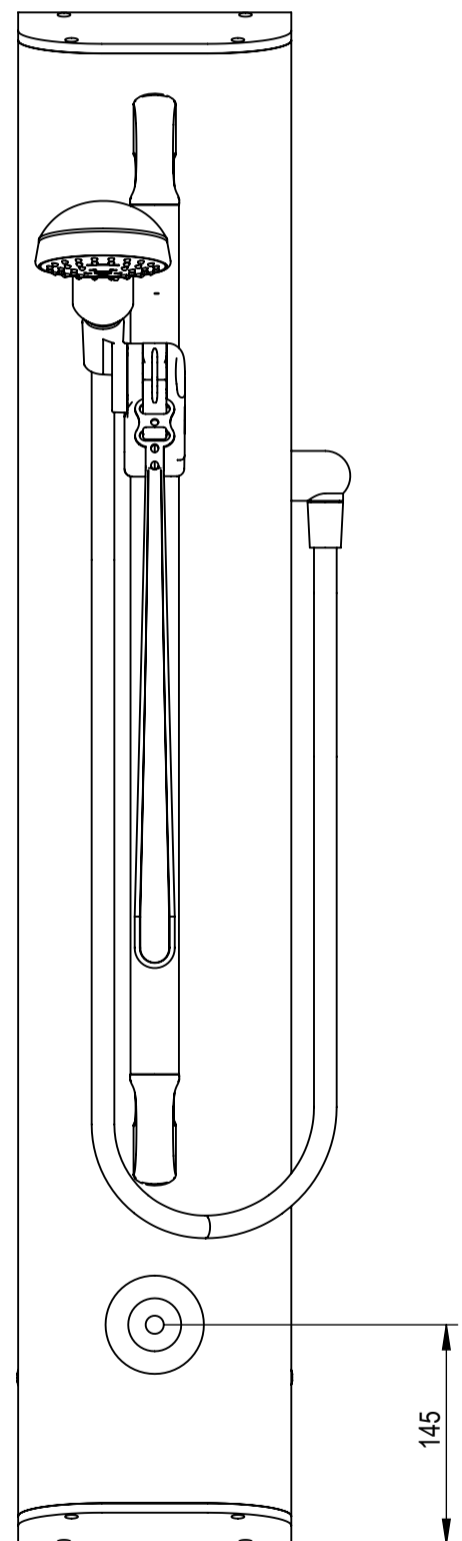
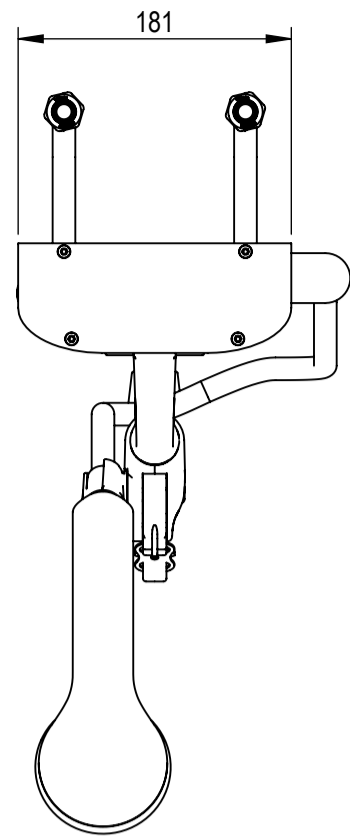
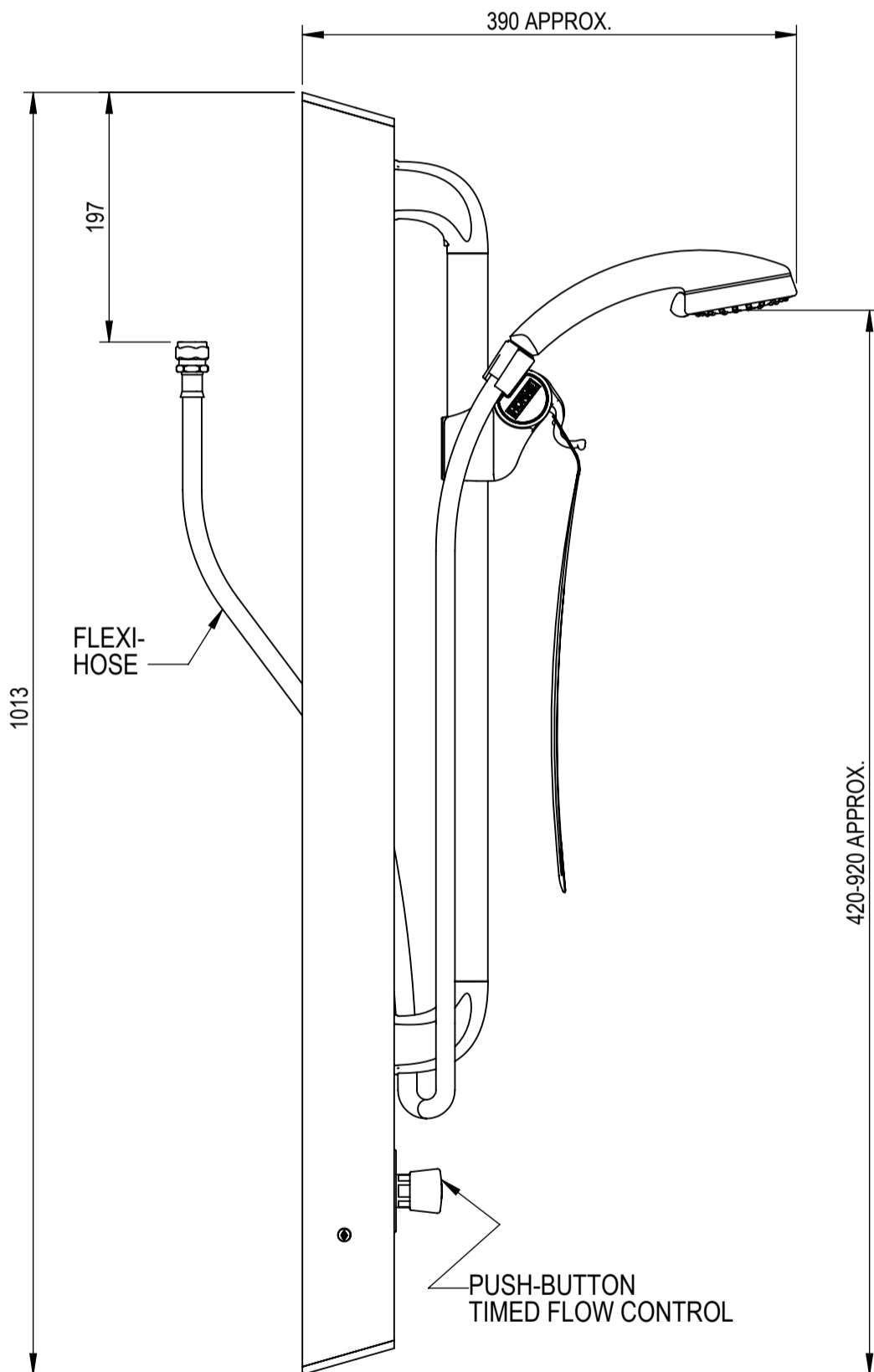


ALL DIMENSIONS ARE APPROXIMATE



COPYRIGHT 2014, HORNE ENGINEERING LTD. ALL REPRODUCTION PROHIBITED UNLESS AUTHORISED IN WRITING.
THIS DRAWING CONTAINS CONFIDENTIAL AND PROPRIETARY INFORMATION OF HORNE ENGINEERING LIMITED AND UNAUTHORISED DISCLOSURE IS STRICTLY PROHIBITED.

DRN BY	MJ (22/01/2016)
CHK'D BY	

MODEL REV.	B-04.
DRG REV.	B-02.

HORNE ENGINEERING LTD.
JOHNSTONE
RENFREWESHIRE
PA5 8BD

SHEET 1 OF 1

DO NOT SCALE

CONFIG OF: 6270

A3

PRODUCT: T307B AND T3Y7B

DR'G No. 10379