

INCLUSIVE DESIGN SHOWER PANEL WITH DUAL CONTROL THERMOSTATIC SHOWER VALVE, RISER RAIL, HOSE AND HANDSET, ILTDU AND PIPE COVER

Includes integral TMV3 Scheme approved thermostatic shower valve pre-plumbed within a white epoxy-polyester powder-coated aluminium panel with lever hand controls, three function handset, hose and riser rail, integral ILTDU, In-line Thermal Disinfection Unit, and 465mm Pipe Cover.



FEATURES & BENEFITS

- Robust, anodised and painted (RAL 9010, LRV=84) panel & fittings ensure long lifespan
- Integral TMV3 Scheme Approved shower valve with BS 8300 compliant lever controls
- In-Line Thermal Disinfection Unit with easy operation for periodic disinfection of pipe-work, valve and downstream fittings using local hot water supply
- 465mm Pipe Cover in same profile as panel with key access point for ILTDU operation
- Robust riser rail in dementia-friendly Deep Orange with inclusive design handset holder
- Three function handset with easy-clean and anti-kink 1.25m hose (PVC liner)
- Integral 8 L/min flow regulator for water and energy conservation
- Low level integral servicing valves for ease of maintenance and performance testing
- Fast and easy installation, for new or retrofit applications
- Pressure tested assembly, to 16 bar
- Optional accessory: 2 metre hose - part number SA-108B

The Horne TSV1-3 thermostatic shower valve is WRAS & TMV3 Scheme Approved.



Certificate No. FM 1224

The **T1Y7T42L** shower panel is pre-plumbed with an integral dual control Type 3 approved thermostatic mixing valve, which features:

- Low level isolating servicing valves
- Integral fine mesh strainers provide essential protection to internal mechanism of the valve and ancillary fittings
- Angle pattern inlets enable easy access to the strainers
- Integral check valves prevent cross migration of water supplies
- Flushing facility to allow water supplies to be flushed clean during commissioning

Operating Conditions:

- Range of temperature adjustment up to pre-set maximum, usually 41°C at the shower head
- Range of hot water supply temperature: 52 — 85°C
- Maximum static pressure: 10 bar
- Minimum differential between hot water temp. and mixed water temp.: 5°C
- Range of maintained water supply pressures: 0.2-5 bar

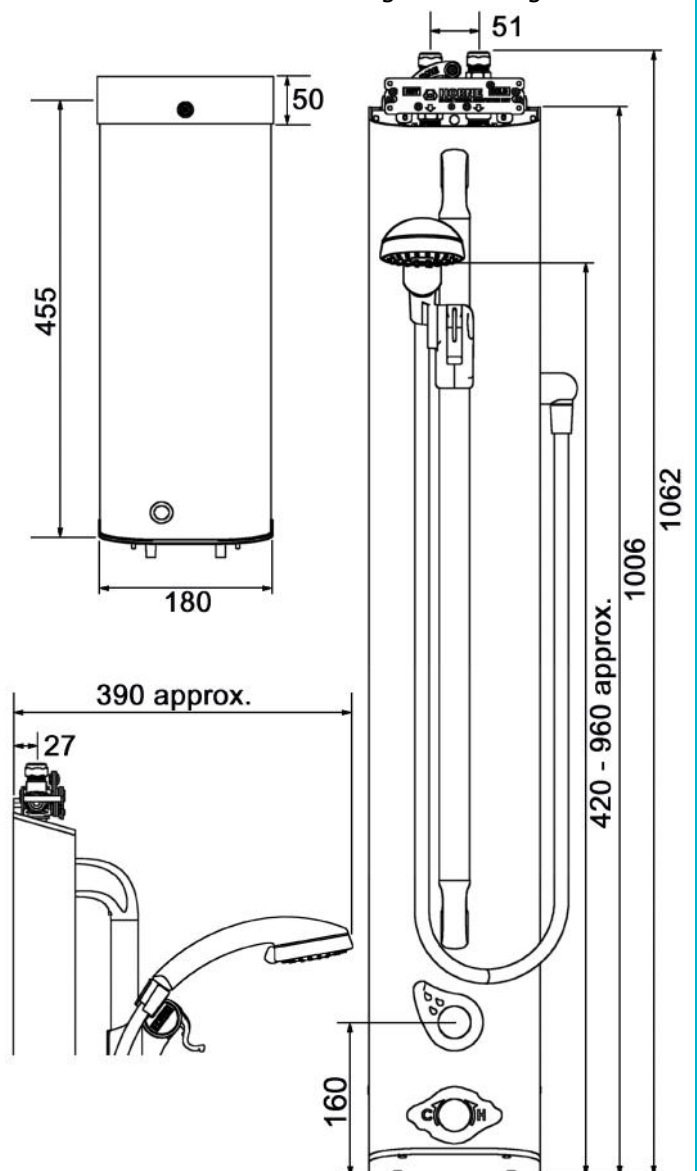
Unequal pressures are usually acceptable if gravity-pressure supplies one of the inlets: minimum pressure 0.2 Bar. When both supplies are pumped, pressures should be nominally balanced.

Thermal Disinfection using the ILTDU

For an explanation of its operating principals and further information on the recommended disinfection procedure, please refer to our ILTDU brochure and instructions.

Dimensions in mm

Original Drawing Ref: 11348



TOTAL HEIGHT OF PANEL + PIPECOVER
= 1006 + 2 + 455 + 50 - (OVERLAP)
- OVERLAP IS VARIABLE, 20-40mm
- 455 LENGTH CAN BE CUT TO SUIT

