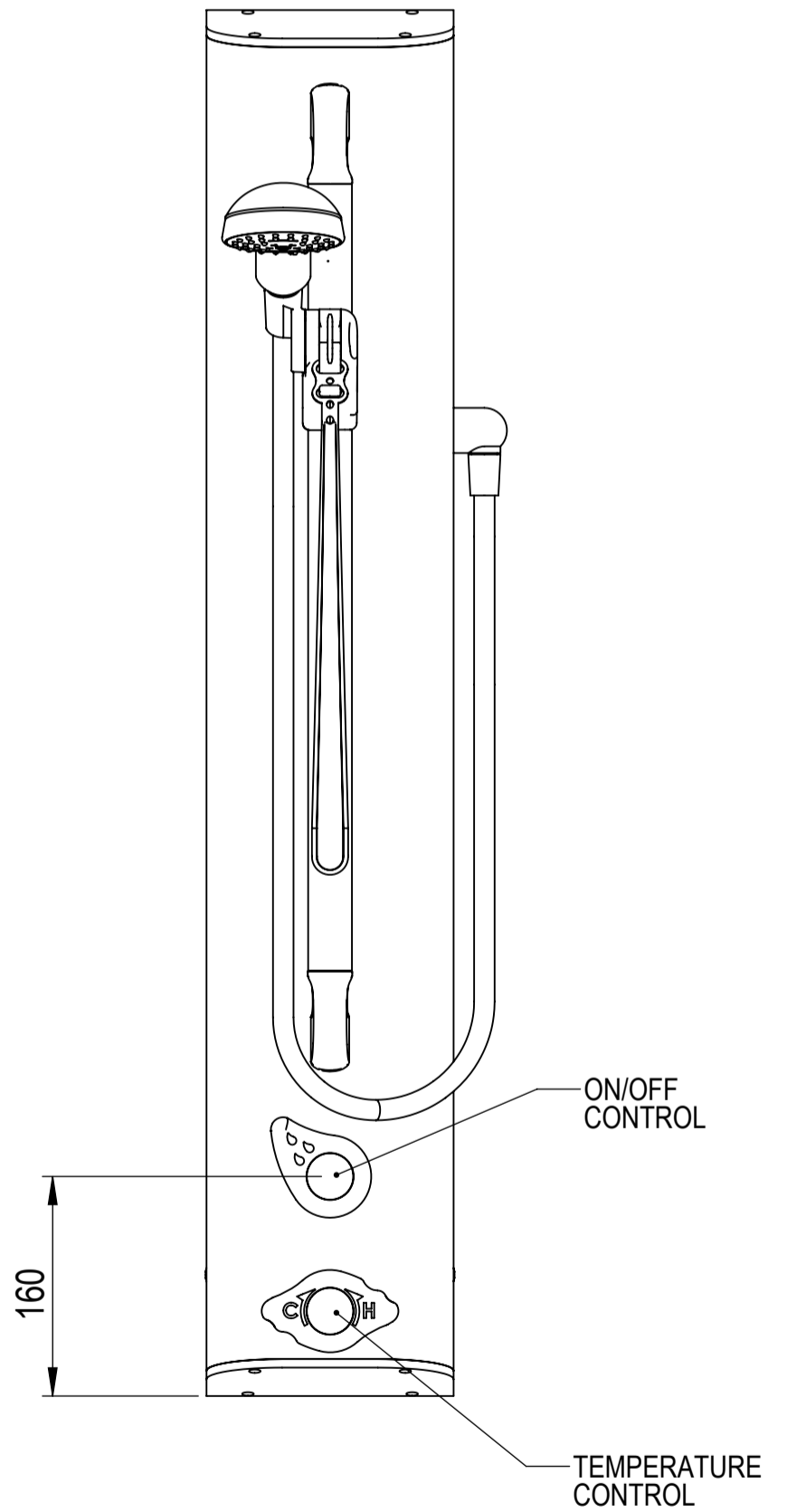
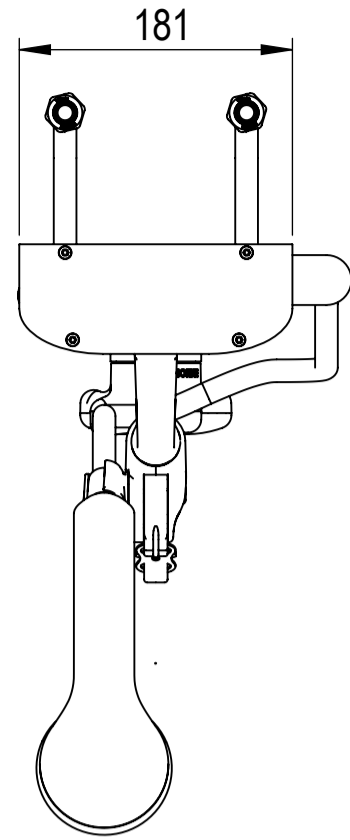
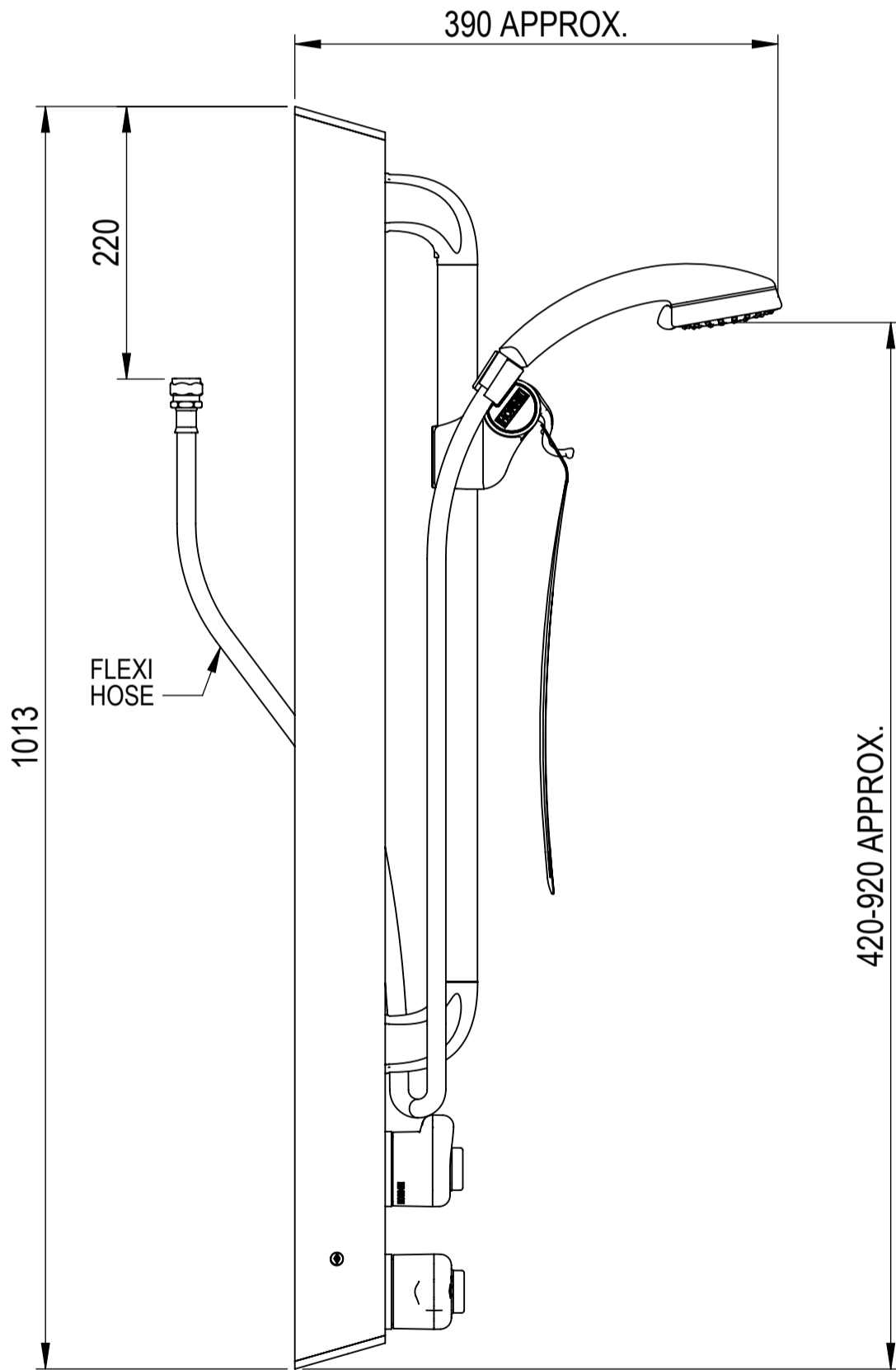


ALL DIMENSIONS ARE APPROXIMATE



COPYRIGHT 2016, HORNE ENGINEERING LTD. ALL REPRODUCTION PROHIBITED UNLESS AUTHORISED IN WRITING. THIS DRAWING CONTAINS CONFIDENTIAL AND PROPRIETARY INFORMATION OF HORNE ENGINEERING LIMITED AND UNAUTHORISED DISCLOSURE IS STRICTLY PROHIBITED.

DRN BY MJ (07/01/2016)

MODEL REV. A-05.

CHK'D BY

DRG REV. B-02.

HORNE ENGINEERING LTD.  
JOHNSTONE  
RENFREWSHIRE  
PA5 8BD

SHEET 1 OF 1

DO NOT SCALE

A3

PRODUCT: T107B2L AND T1Y7B2L

DRG No. 10371

CONFIG OF: 6250