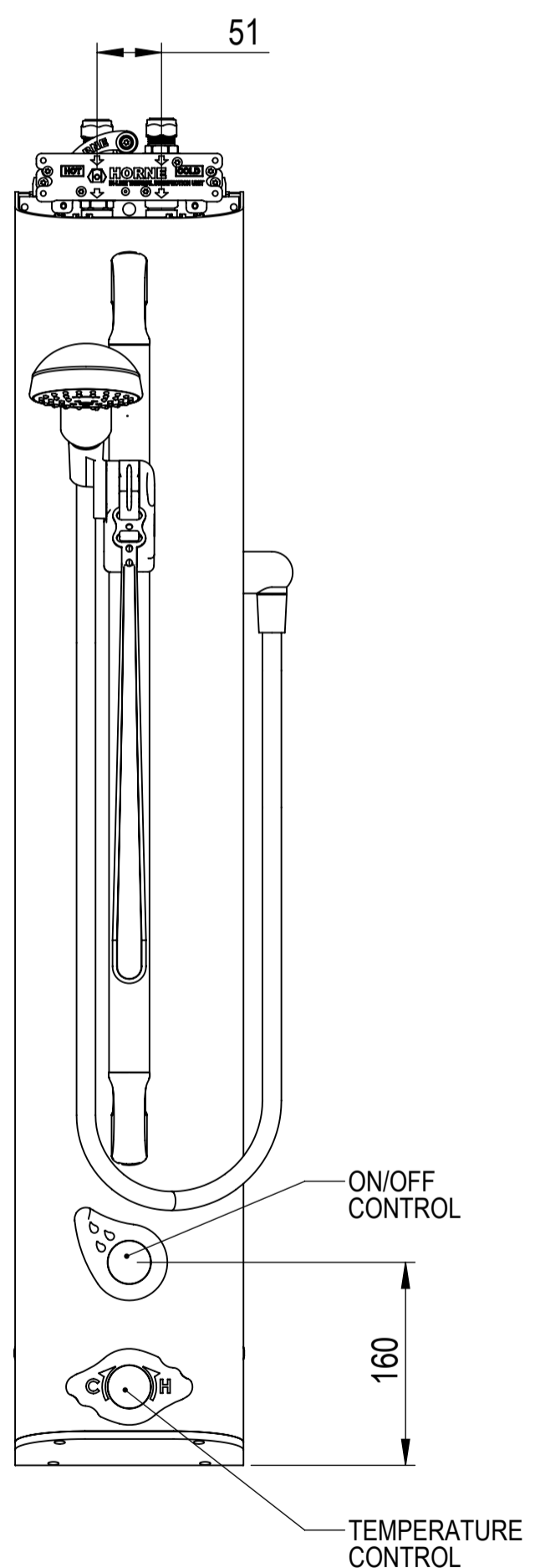
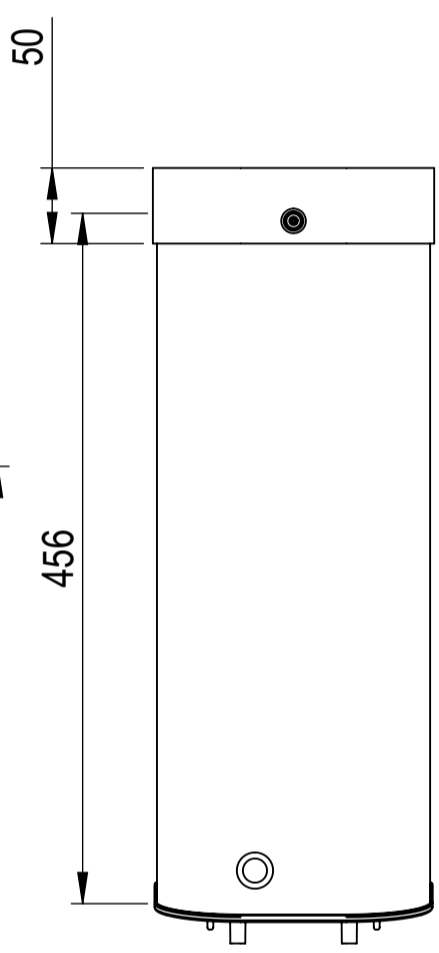
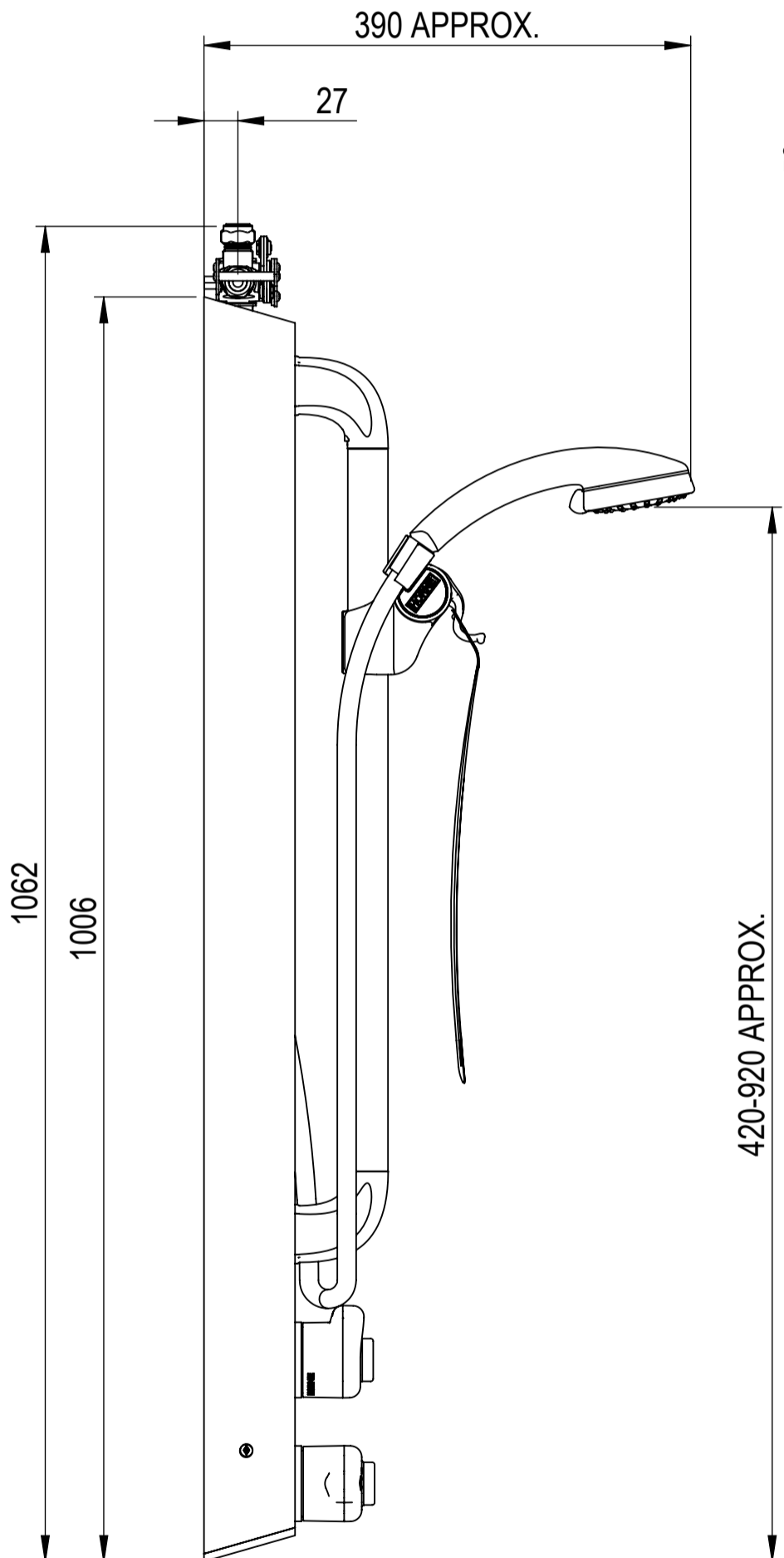
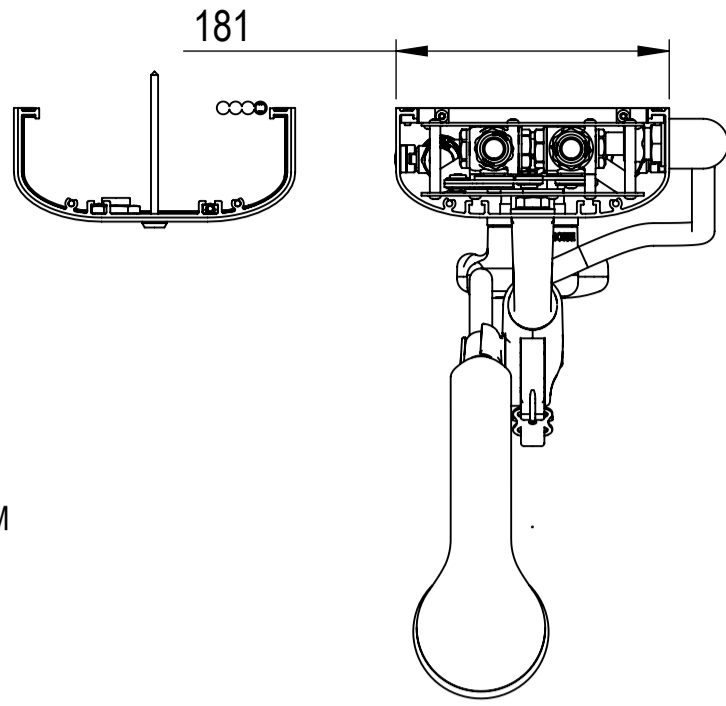


ALL DIMENSIONS ARE APPROXIMATE

TOTAL HEIGHT OF PANEL + PIPECOVER  
 = 1006 + 2 + 455 + 50 - (OVERLAP)

- OVERLAP IS VARIABLE BETWEEN 20-40MM
- 455 LENGTH CAN BE CUT TO SUIT



COPYRIGHT 2016, HORNE ENGINEERING LTD. ALL REPRODUCTION PROHIBITED UNLESS AUTHORISED IN WRITING.  
 THIS DRAWING CONTAINS CONFIDENTIAL AND PROPRIETARY INFORMATION OF HORNE ENGINEERING LIMITED AND UNAUTHORISED DISCLOSURE IS STRICTLY PROHIBITED.

DRN BY MJ (07/01/2016)  
 CHK'D BY

MODEL REV. A-05  
 DRG REV. B-02.

HORNE ENGINEERING LTD.  
 JOHNSTONE  
 RENFREWSHIRE  
 PA5 8BD  
 SHEET 1 OF 1  
 DO NOT SCALE  
 A3  
 DR'G No. 11348  
 CONFIG OF: 6250

PRODUCT: T107T42L AND T1Y7T42L