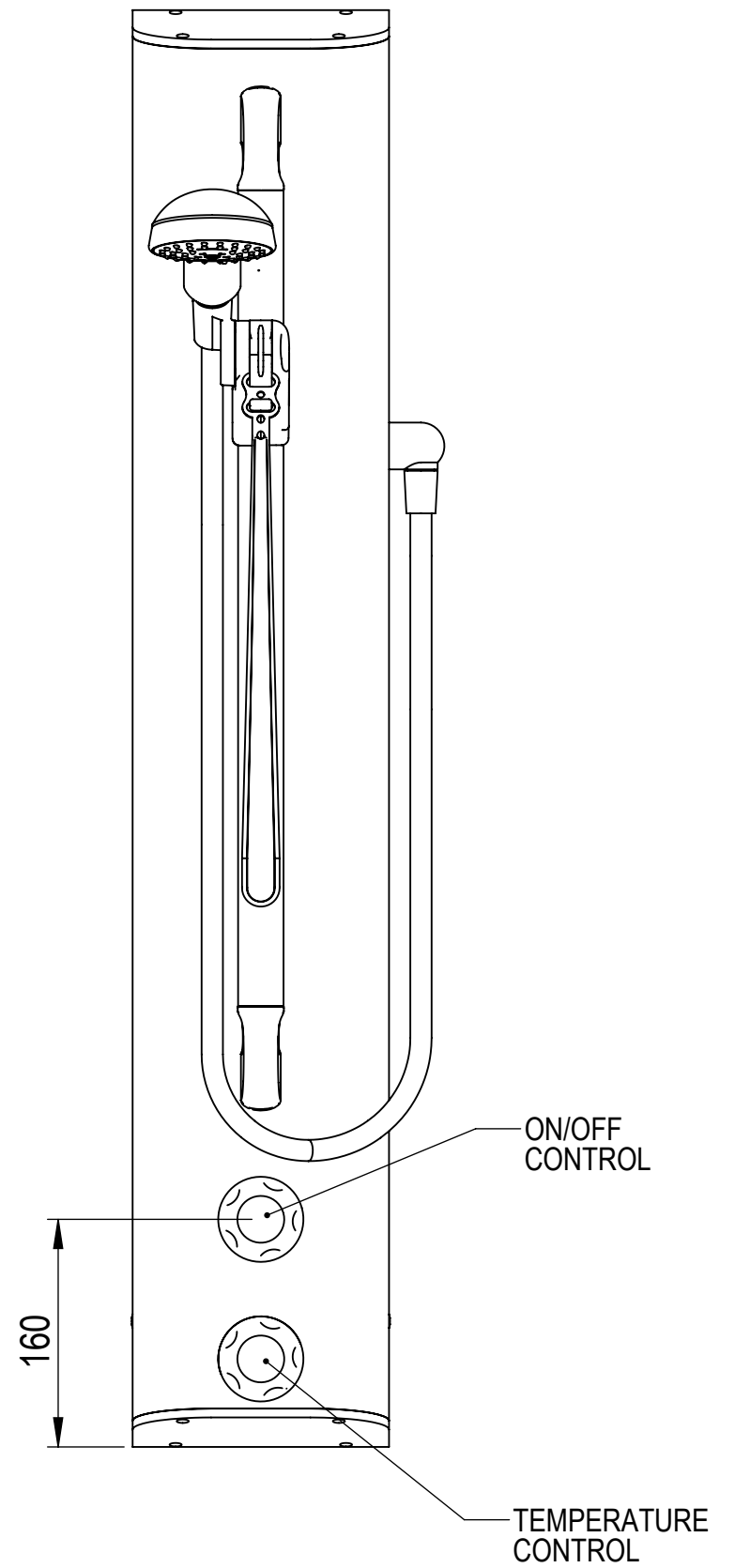
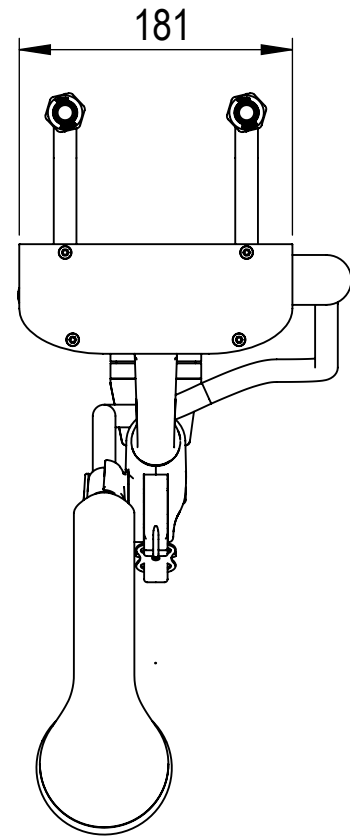
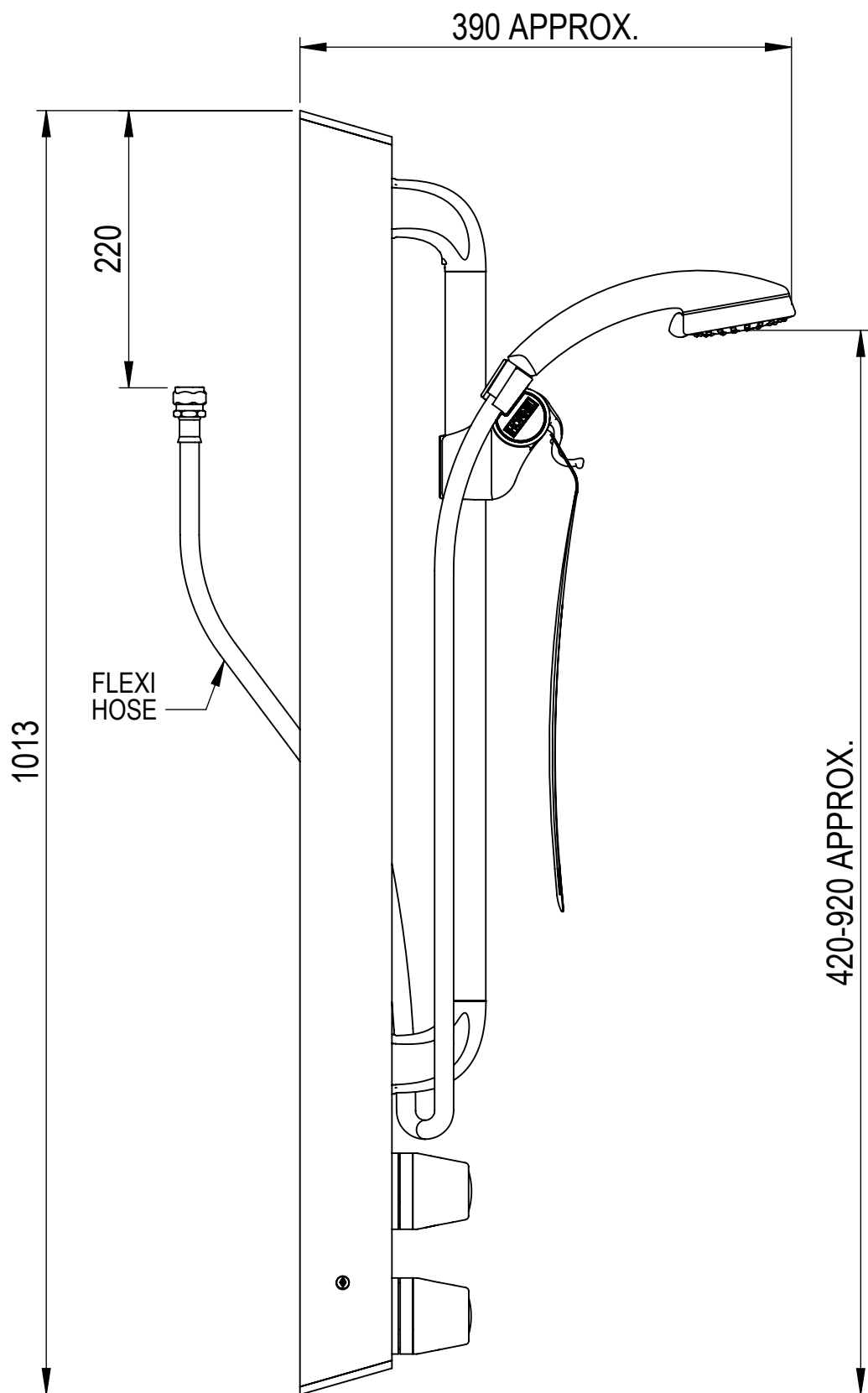


ALL DIMENSIONS ARE APPROXIMATE



COPYRIGHT 2016, HORNE ENGINEERING LTD. ALL REPRODUCTION PROHIBITED UNLESS AUTHORISED IN WRITING.
 THIS DRAWING CONTAINS CONFIDENTIAL AND PROPRIETARY INFORMATION OF HORNE ENGINEERING LIMITED AND UNAUTHORISED DISCLOSURE IS STRICTLY PROHIBITED.

DRN BY MJ (07/01/2016)
 CHK'D BY

MODEL REV. A-05.
 DRG REV. B-02.

| | | | | |
|--|--|----------------|--------------|----|
| HORNE ENGINEERING LTD. JOHNSTONE RENFREWSHIRE PA5 8BD | | | DO NOT SCALE | A3 |
| SHEET 1 OF 1 | | DR'G No. 10344 | | |

PRODUCT: T107B AND T1Y7B

CONFIG OF: 6250