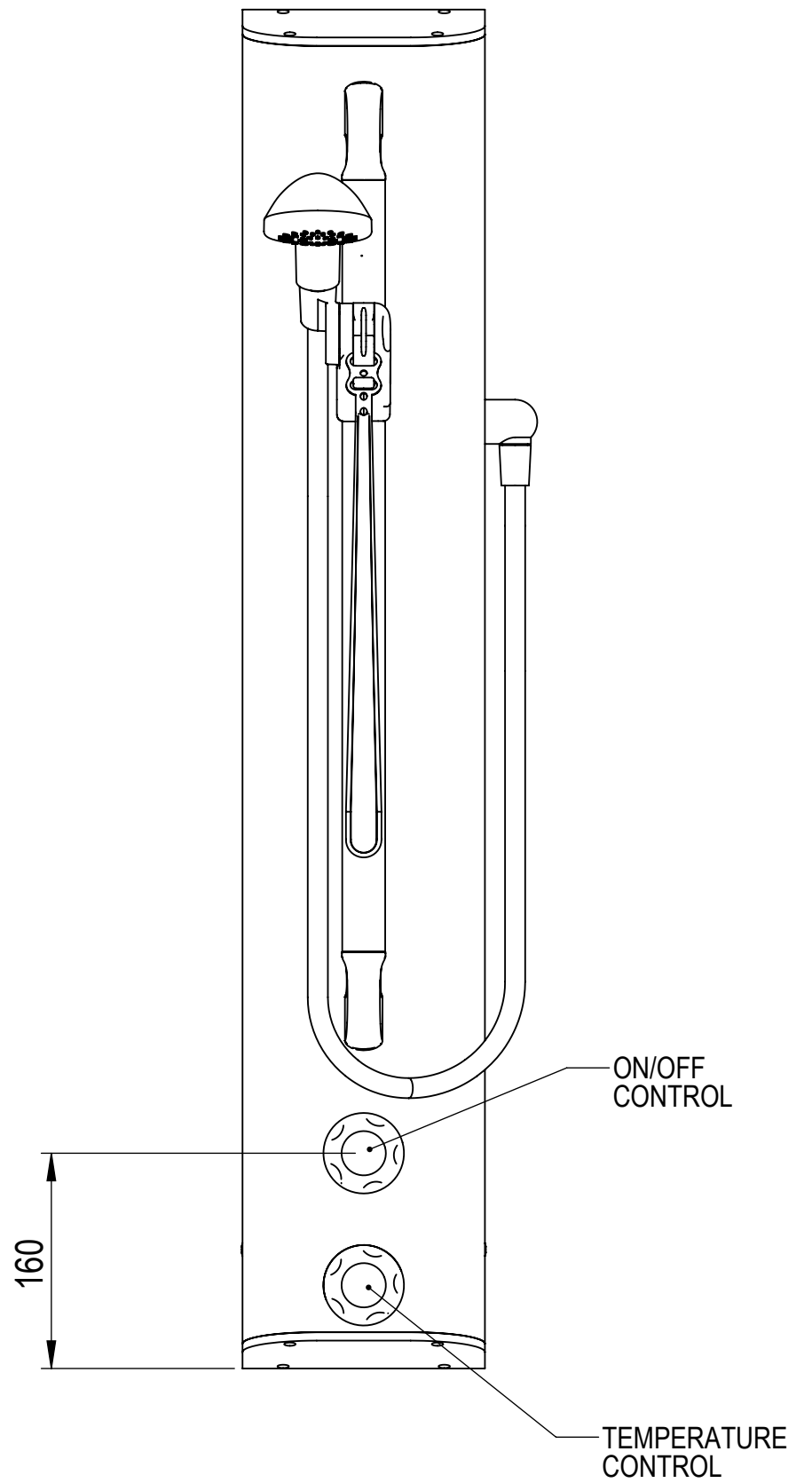
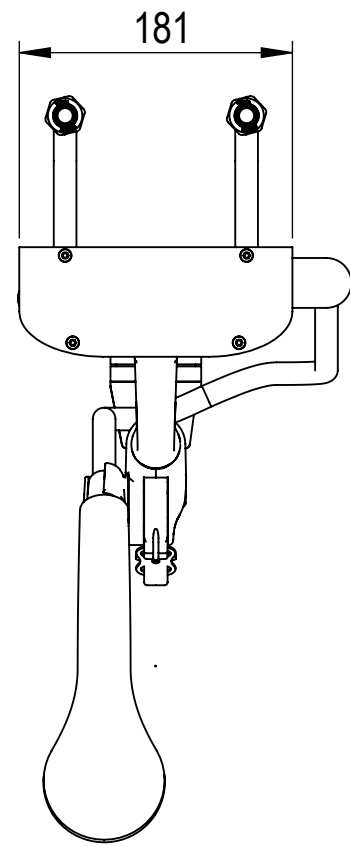
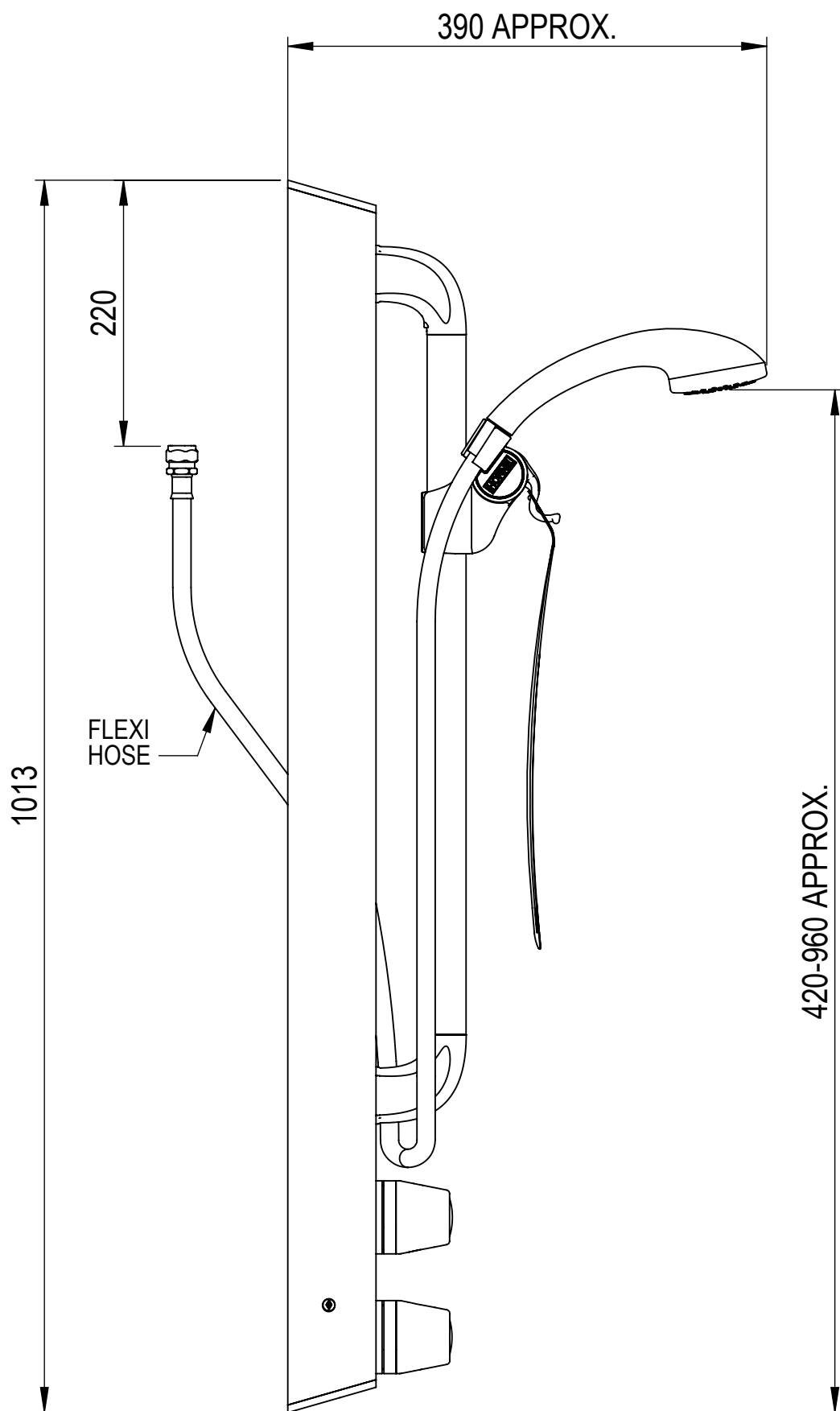


ALL DIMENSIONS ARE APPROXIMATE



COPYRIGHT 2016, HORNE ENGINEERING LTD. ALL REPRODUCTION PROHIBITED UNLESS AUTHORISED IN WRITING.  
 THIS DRAWING CONTAINS CONFIDENTIAL AND PROPRIETARY INFORMATION OF HORNE ENGINEERING LIMITED AND UNAUTHORISED DISCLOSURE IS STRICTLY PROHIBITED.

DRN BY MJ (07/01/2016)

MODEL REV. A-05

CHK'D BY

DRG REV. B-02.

HORNE ENGINEERING LTD.  
 JOHNSTONE  
 RENFREWSHIRE  
 PA5 8BD

SHEET 1 OF 1

DO NOT SCALE

A3

PRODUCT: T108B AND T1Y8B

DR'G No. 10341

CONFIG OF: 6250