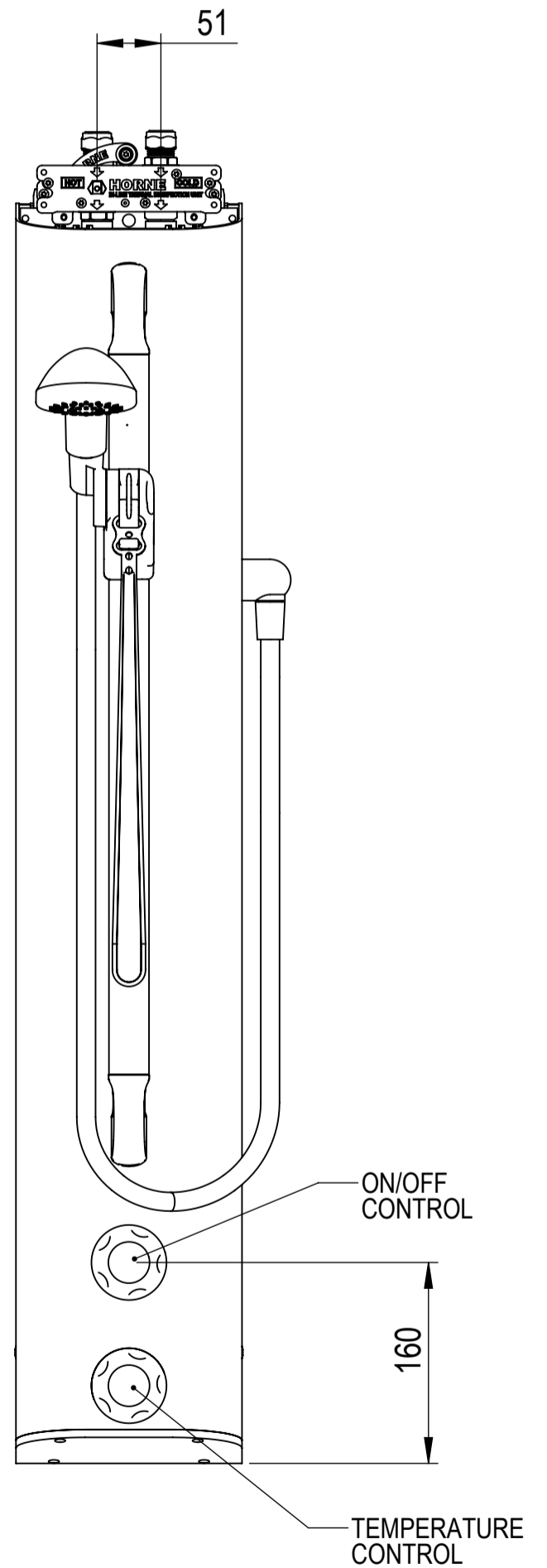
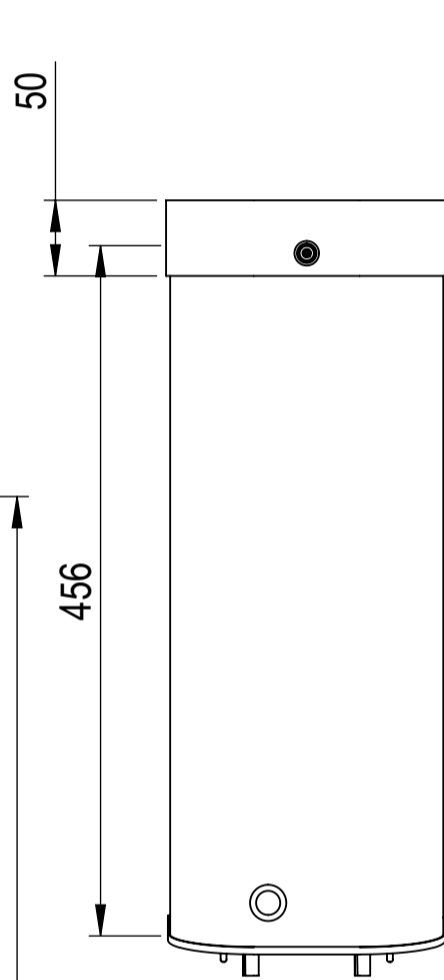
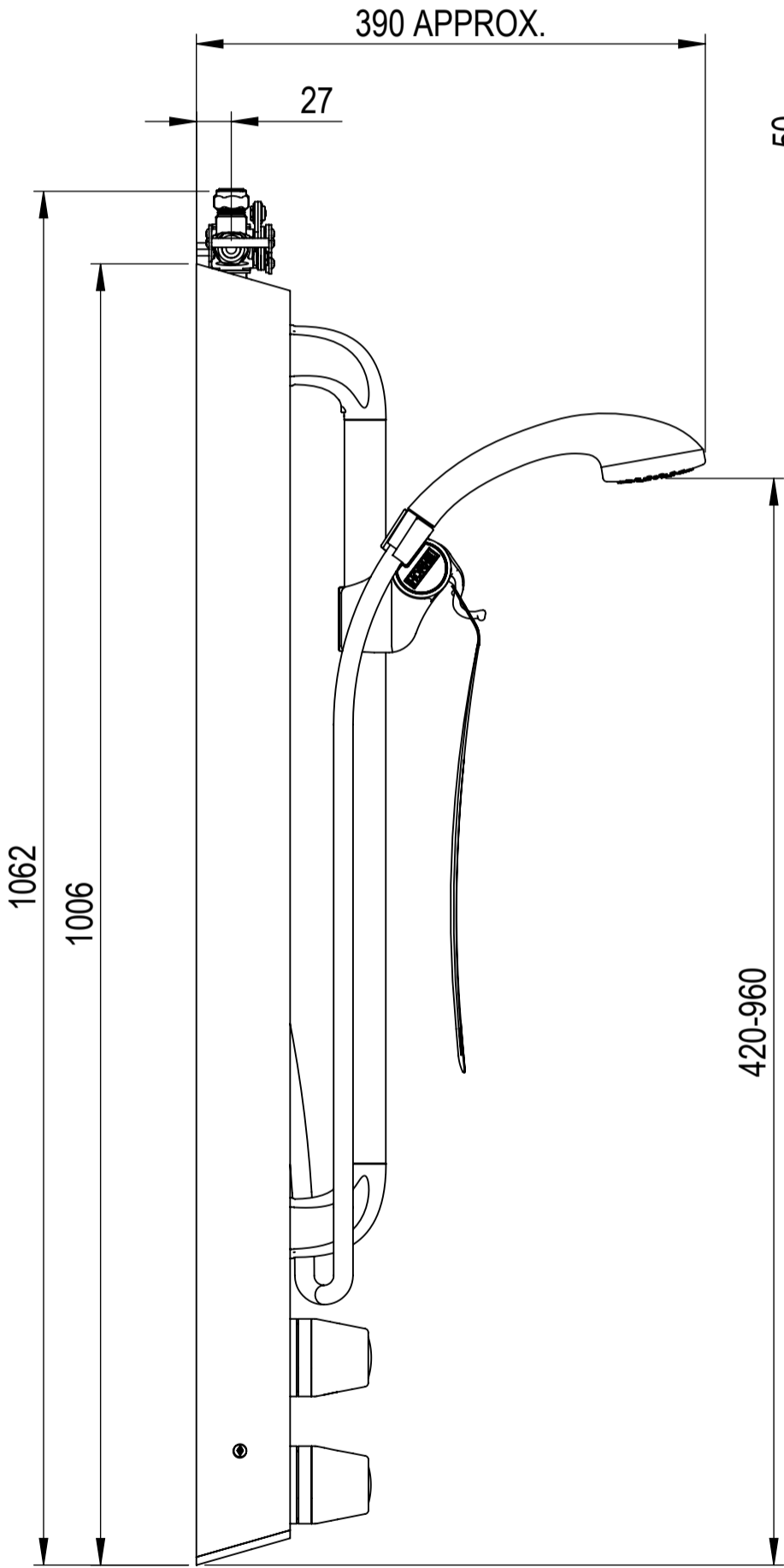
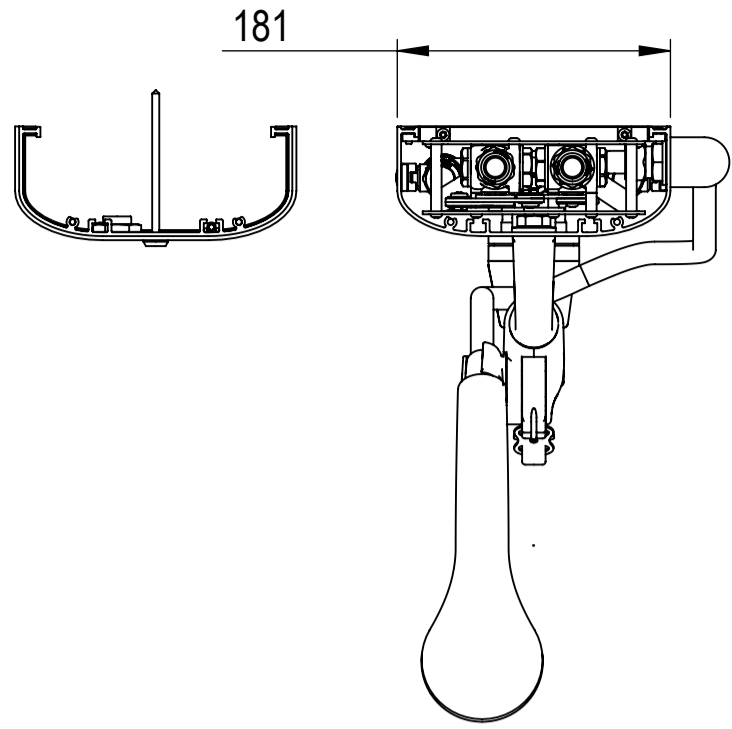


ALL DIMENSIONS ARE APPROXIMATE

TOTAL HEIGHT OF PANEL + PIPECOVER
 = 1006 + 2 + 455 + 50 - (OVERLAP)

- OVERLAP IS VARIABLE BETWEEN 20-40MM
- 455 LENGTH CAN BE CUT TO SUIT



COPYRIGHT 2016, HORNE ENGINEERING LTD. ALL REPRODUCTION PROHIBITED UNLESS AUTHORISED IN WRITING.
 THIS DRAWING CONTAINS CONFIDENTIAL AND PROPRIETARY INFORMATION OF HORNE ENGINEERING LIMITED AND UNAUTHORISED DISCLOSURE IS STRICTLY PROHIBITED.

DRN BY MJ (07/01/2016)
 CHK'D BY

MODEL REV. A-05
 DRG REV. B-02.

HORNE ENGINEERING LTD. JOHNSTONE RENFREWSHIRE PA5 8BD			DO NOT SCALE	A3
SHEET 1 OF 1		DRG No. 11350		

PRODUCT: T108T4 AND T118T4

CONFIG OF: 6250