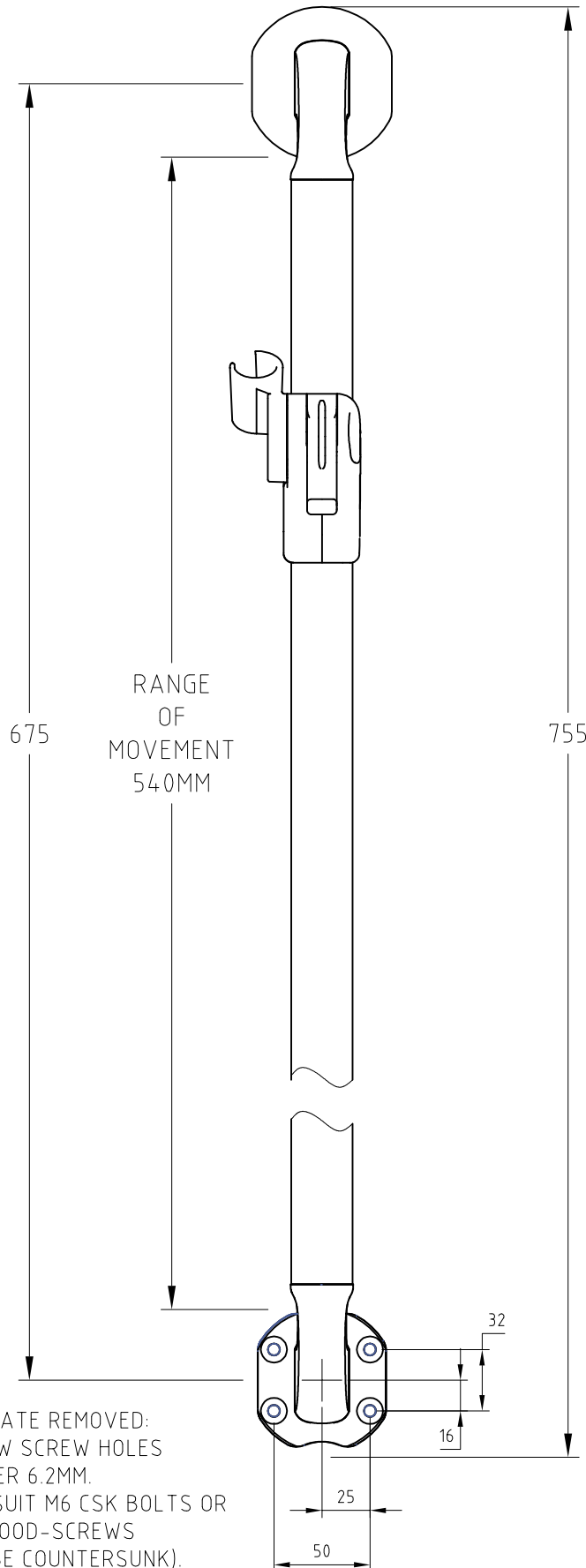


BACKPLATE
WITH COVER

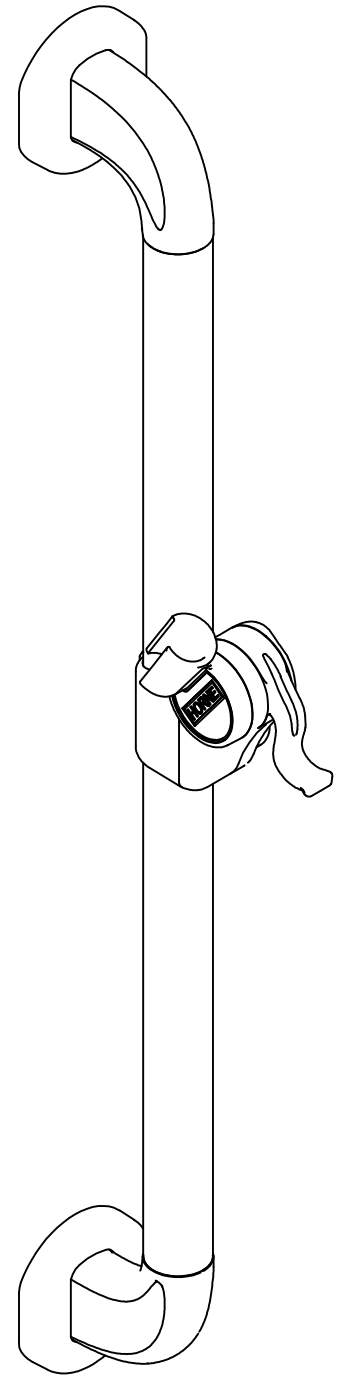
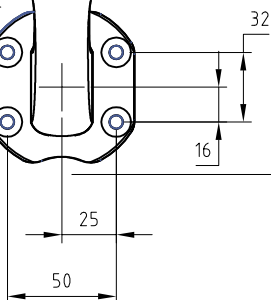


RANGE
OF
MOVEMENT
540MM

675

755

BACKPLATE REMOVED:
TO SHOW SCREW HOLES
DIAMETER 6.2MM.
HOLES SUIT M6 CSK BOLTS OR
NO.12 WOOD-SCREWS
(MUST BE COUNTERSUNK).
FIXINGS MUST BE SELECTED
TO SUIT SUBSTRATE MATERIAL.



COPYRIGHT 2019, HORNE ENGINEERING LTD.
ALL REPRODUCTION PROHIBITED UNLESS
AUTHORISED IN WRITING

SCALE	DO NOT SCALE
DRAWN	MJ (13/11/2019)
CHECKED	
ISSUE	1

HORNE ENGINEERING LTD.
JOHNSTONE
RENFREWSHIRE

DR'G. No. 11397