

HORNE®

Product datasheet: HORNE 15 Thermostatic Mixing Valve

APPLICATIONS:

Point of use mixing for bidets, wash hand basins and showers in hospitals, schools, sport and leisure centres, prisons and other public buildings.

KEY FEATURES:

- Every valve performance tested in production
- TMV3 approved for both LP and HP designations
- Accurate and reliable temperature control
- Full bore fine mesh strainers protect valve mechanism and downstream fittings
- Automatic shut off if hot or cold water supply fails
- Easy installation, commissioning and maintenance
- Flow regulator for water economy



Certificate No. BC1868/0817



H15-11B incl. check valves & strainers



H15-21B incl. check valves, strainers & isolating valves



H15-24B incl. check valves, strainers, isolating valves & 4th connection to cold tap



HORNE 15 with wall mounting kit



HORNE 15 with white plastic cover

SPECIFICATION REFERENCE

A number of variants of the HORNE 15 TMV are available in either **bronze (B)** or **chrome (C)** finish:

HORNE 15 TMV

WITH integral check valves and strainers.....

PLUS wall mounting kit.....

PLUS white plastic cover.....

OR

HORNE 15 TMV

WITH integral check valves, strainers and **isolating valves**.....

PLUS wall mounting kit.....

PLUS white plastic cover.....

OR

HORNE 15 TMV

WITH integral check valves, strainers, isolating valves and **4th connection to cold tap**.....

PLUS wall mounting kit.....

PLUS white plastic cover.....

PRODUCT REF

H15-11B / H15-11C

H15-12B / H15-12C

H15-13B / H15-13C

H15-21B / H15-21C

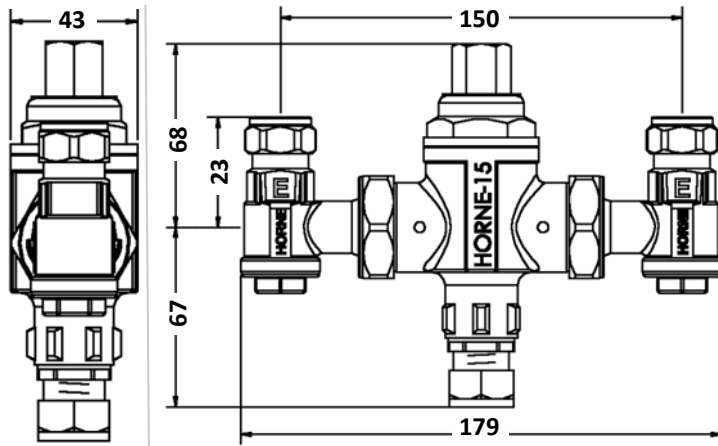
H15-22B / H15-22C

H15-23B / H15-23C

H15-24B / H15-24C

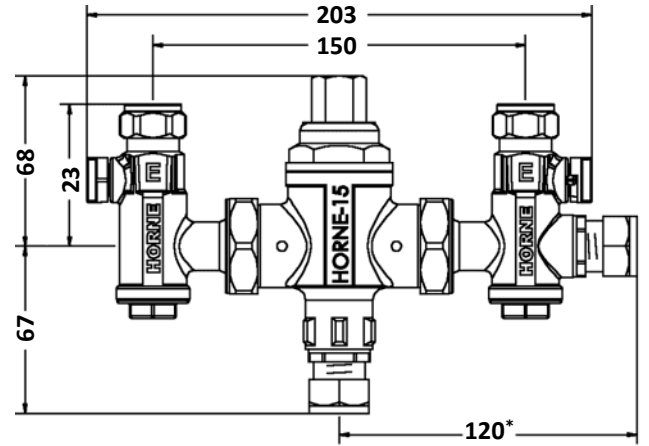
H15-25B / H15-25C

H15-26B / H15-26C

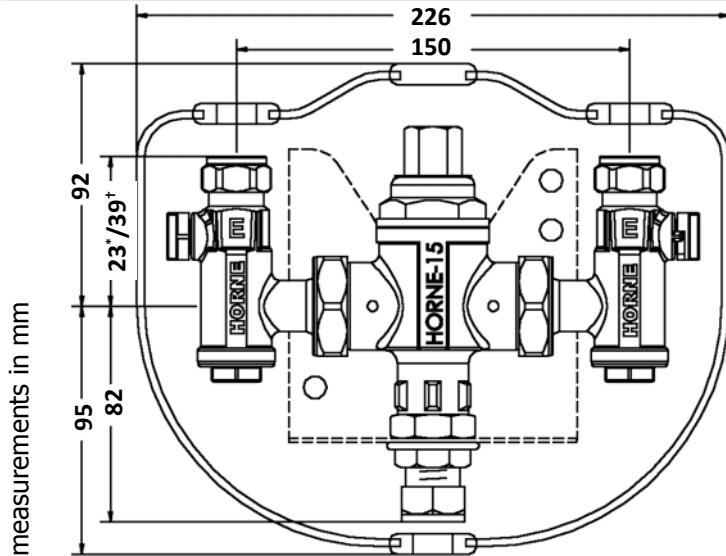


PROFILE

H15-11 models

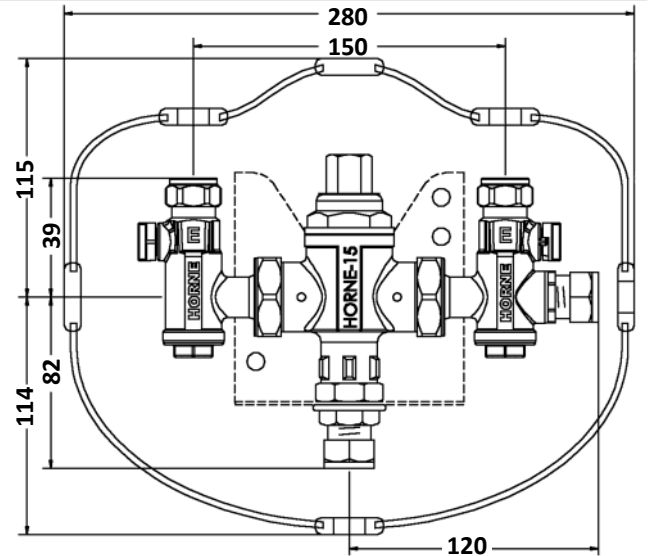


H15-21 and *H15-24 models



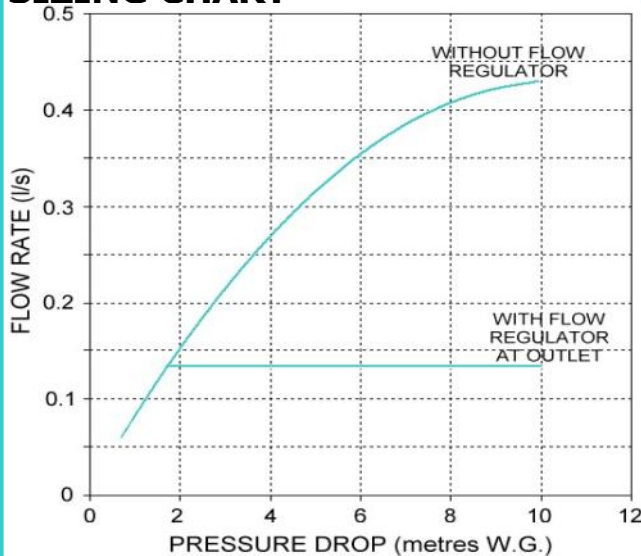
All measurements in mm

***H15-13 and †H15-23 models**



H15-26 models

-sizing chart



OPERATING PARAMETERS

Temp. setting at factory	41°C
Range of temp. adjustment	35 - 50°C
Range of hot water supply temp.	52 - 85°C
Maximum static pressure	10 bar
Range of maintained water supply pressures	0.2 - 5 bar

Unequal pressures are usually acceptable if gravity-pressure supplies one of the inlets: minimum 0.2 Bar. The lower of the two pressures will determine the flow rate. When both supplies are pumped, pressures should be nominally equal.



Certificate No. FM 1224



HORNE ENGINEERING Ltd, PO Box 7, Rankine Street, Johnstone, PA5 8BD
 Tel: +44 (0)1505 321455 Fax: +44 (0)1505 336287 email: sales@horne.co.uk web: www.horne.co.uk