

HORNE®

Product datasheet: HORNE 15 Thermostatic Mixing Valve

APPLICATIONS:

Point of use mixing for bidets, wash hand basins and showers in hospitals, schools, sport and leisure facilities, prisons and other public buildings.

KEY FEATURES:

- Every valve performance tested in production
- Type 3 Approved TMV for both LP and HP designations
- UK Water Regulation 4 Approved - non-metallic materials in contact with potable water
- Accurate and reliable temperature control
- Full bore fine mesh strainers protect valve mechanism and downstream fittings
- Automatic shut off if hot or cold water supply fails
- Easy installation, commissioning and maintenance



H15-11B incl. check valves & strainers



H15-21B incl. check valves, strainers & isolating valves



H15-24B incl. check valves, strainers, isolating valves & 4th connection to cold tap



HORNE 15 with wall mounting kit



HORNE 15 with white plastic cover

SPECIFICATION REFERENCE

A number of variants of the HORNE 15 TMV are available in either **bronze (B)** or **chrome (C)** finish:

HORNE 15 TMV
WITH integral check valves and strainers.....
PLUS wall mounting kit.....
PLUS white plastic cover.....

OR

HORNE 15 TMV
WITH integral check valves, strainers and
isolating valves.....
PLUS wall mounting kit.....
PLUS white plastic cover.....

OR

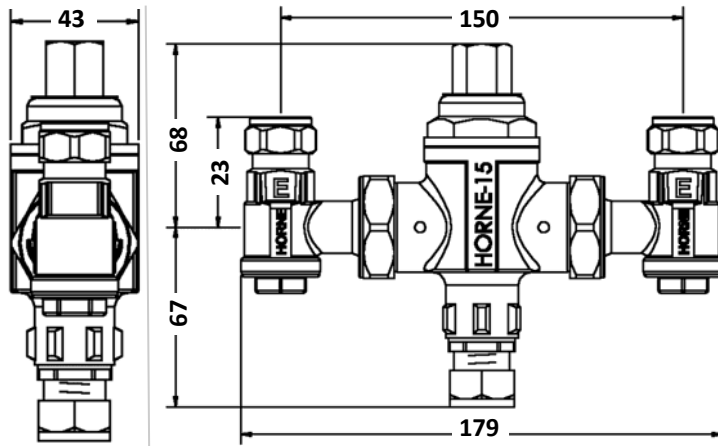
HORNE 15 TMV
WITH integral check valves, strainers, isolating
valves and **4th connection to cold tap**.....
PLUS wall mounting kit.....
PLUS white plastic cover.....

PRODUCT REF

H15-11B / H15-11C
H15-12B / H15-12C
H15-13B

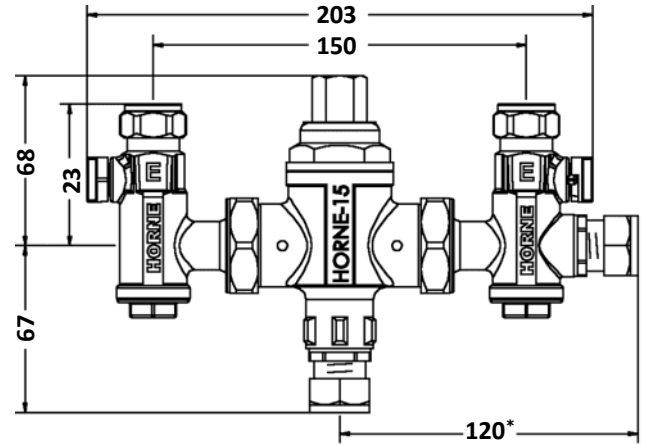
H15-21B / H15-21C
H15-22B / H15-22C
H15-23B

H15-24B / H15-24C
H15-25B / H15-25C
H15-26B

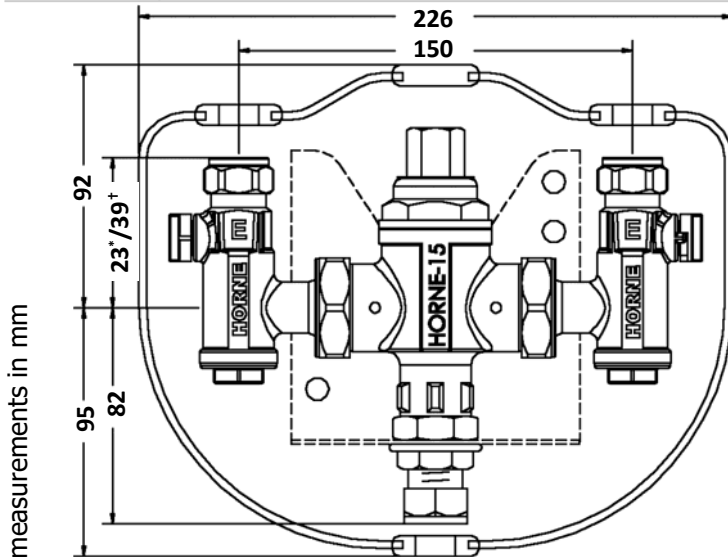


PROFILE

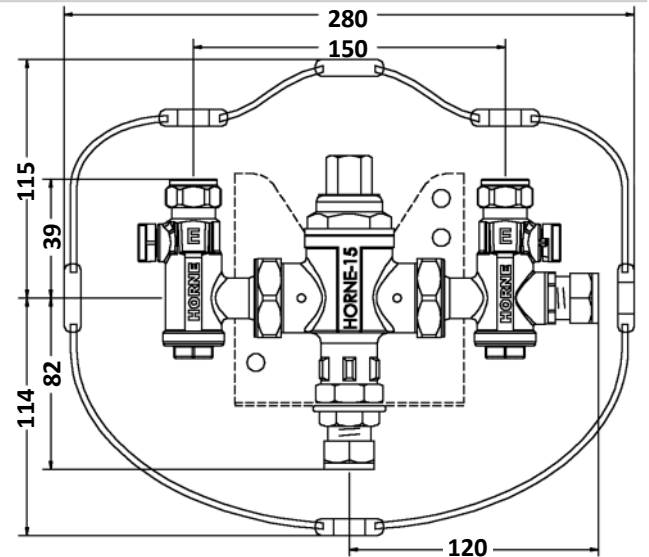
H15-11 models



H15-21 and *H15-24 models



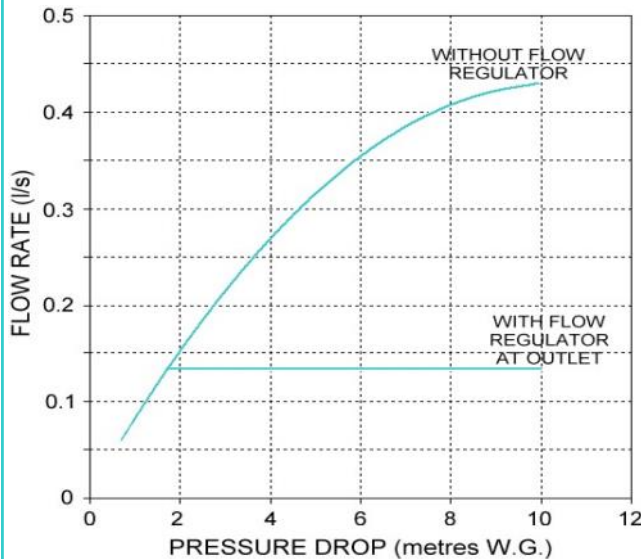
***H15-13 and †H15-23 models**



H15-26 models

All measurements in mm

SIZING CHART



OPERATING PARAMETERS

Temp. setting at factory	41°C
Range of temp. adjustment	35 - 50°C
Range of hot water supply temp.	55 - 65°C
Maximum static pressure	10 bar
Range of maintained water supply pressures	0.2 - 5 bar

Unequal pressures are usually acceptable if gravity-pressure supplies one of the inlets: minimum 0.2 Bar. The lower of the two pressures will determine the flow rate.

When both supplies are pumped, pressures should be nominally equal.



Certificate No. FM 1224

HORNE ENGINEERING Ltd, PO Box 7, Rankine Street, Johnstone, PA5 8BD
 Tel: +44 (0)1505 321455 Fax: +44 (0)1505 336287 email: sales@horne.co.uk web: www.horne.co.uk