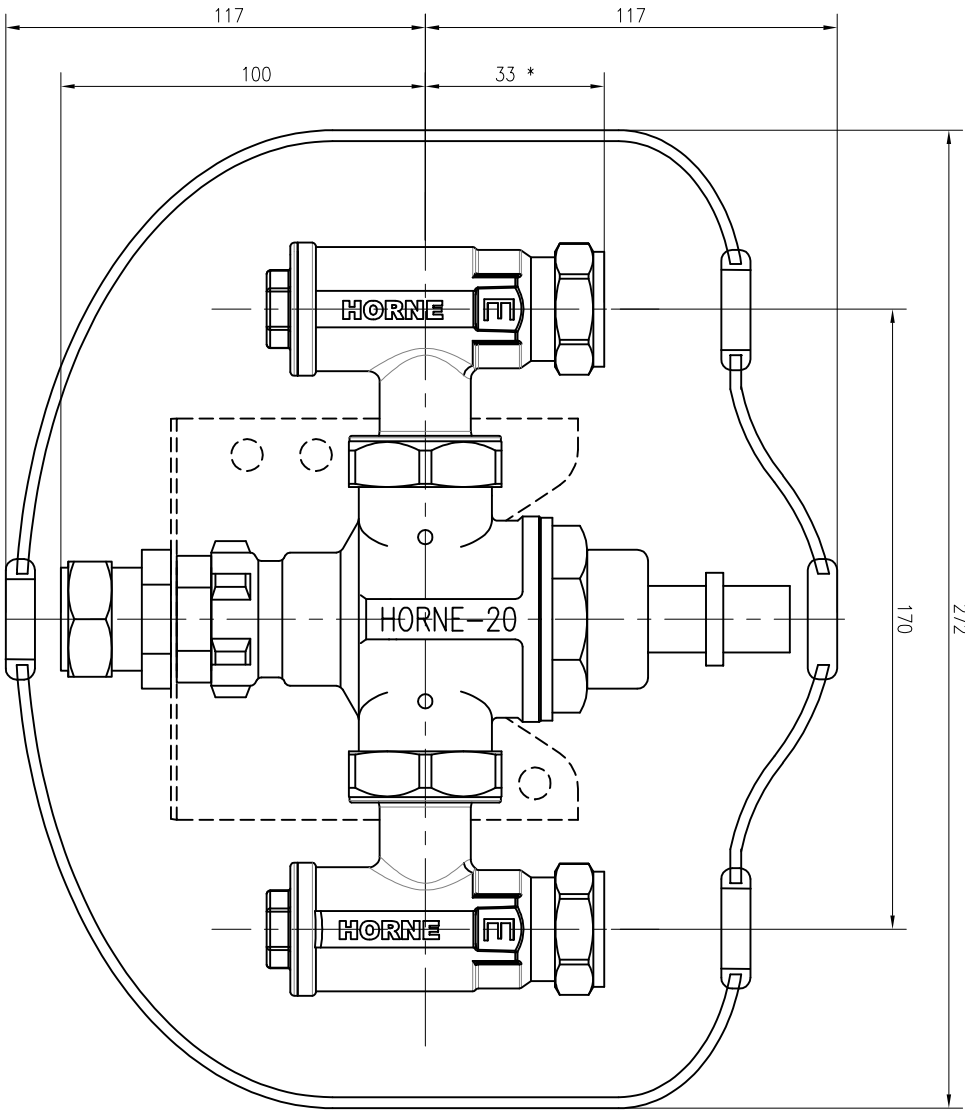
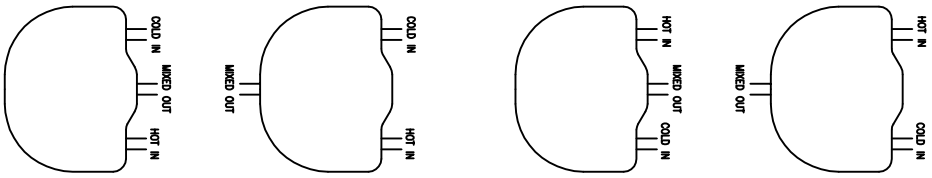
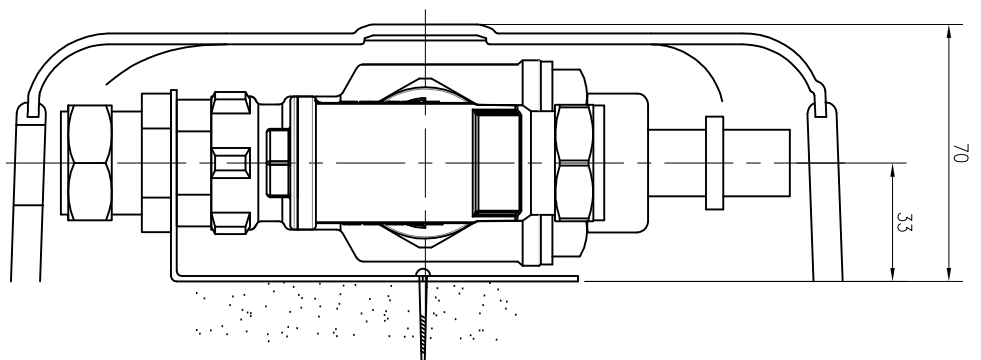


INLET/OUTLET OPTIONS – CAN BE MOUNTED IN ANY ORIENTATION



\* VALVE CENTRE TO INLET PIPE END



COPYRIGHT 2019, HORNE ENGINEERING LTD. ALL REPRODUCTION PROHIBITED UNLESS AUTHORISED IN WRITING				HORNE ENGINEERING LTD. JOHNSTONE RENFREWSHIRE	
PART : GENERAL ARRANGEMENT		PRODUCT : H20-13B/C		DR'G. No. PA579 / N	
SCALE	DO NOT SCALE				
DRAWN	MJ 28.6.04				
CHECKED	SR 20.5.19				
ISSUE	2				