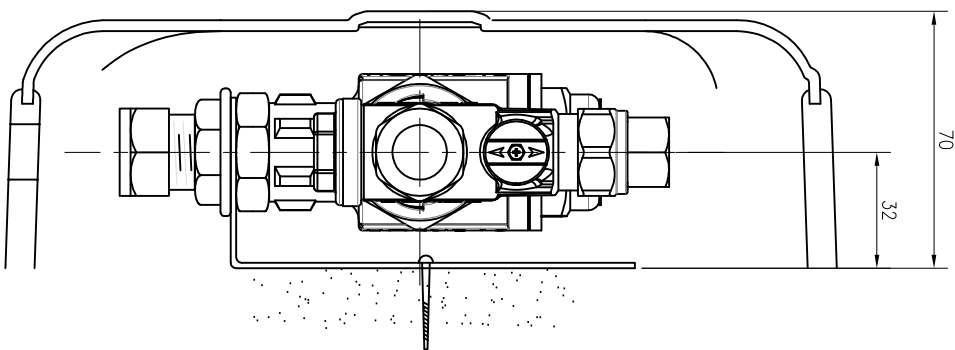
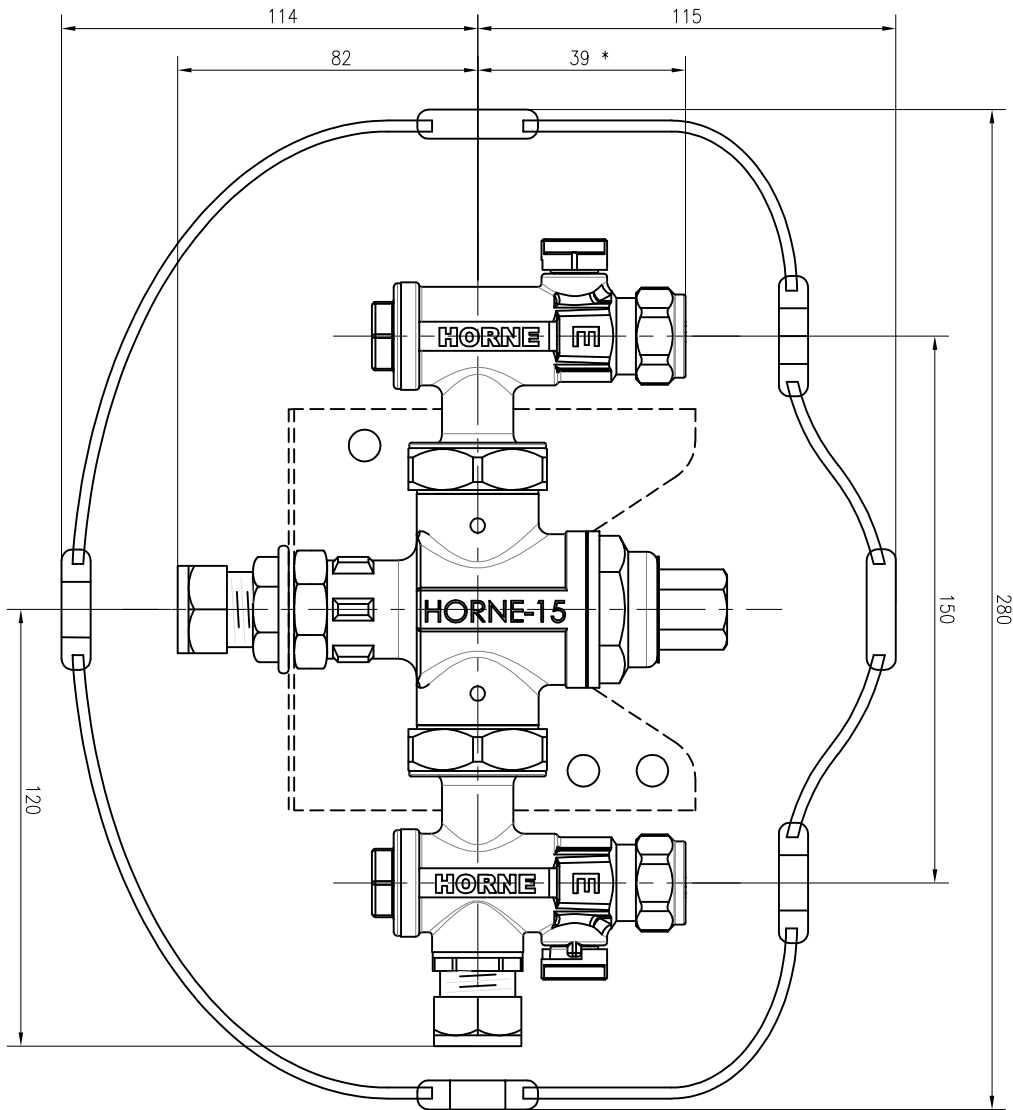
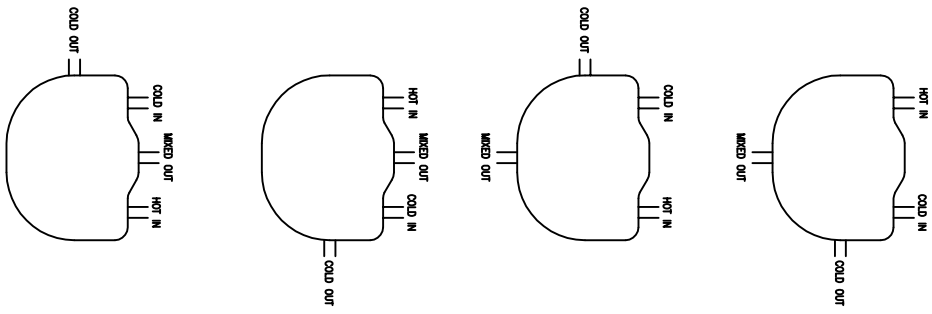


INLET/OUTLET OPTIONS – CAN BE MOUNTED IN ANY ORIENTATION



COPYRIGHT 2019, HORNE ENGINEERING LTD. ALL REPRODUCTION PROHIBITED UNLESS AUTHORISED IN WRITING

PART : GENERAL ARRANGEMENT

PRODUCT : H15-265/C

SCALE	DO NOT SCALE
DRAWN	MJ 28.6.04
CHECKED	SR 20.5.19
ISSUE	2

HORNE ENGINEERING LTD.  
JOHNSTONE  
RENFREWSHIRE

DR'G. No. PA579/J