

**Horne 32 Thermostatic Mixing Valve
 (refer to drawing 7308 on page 3)**

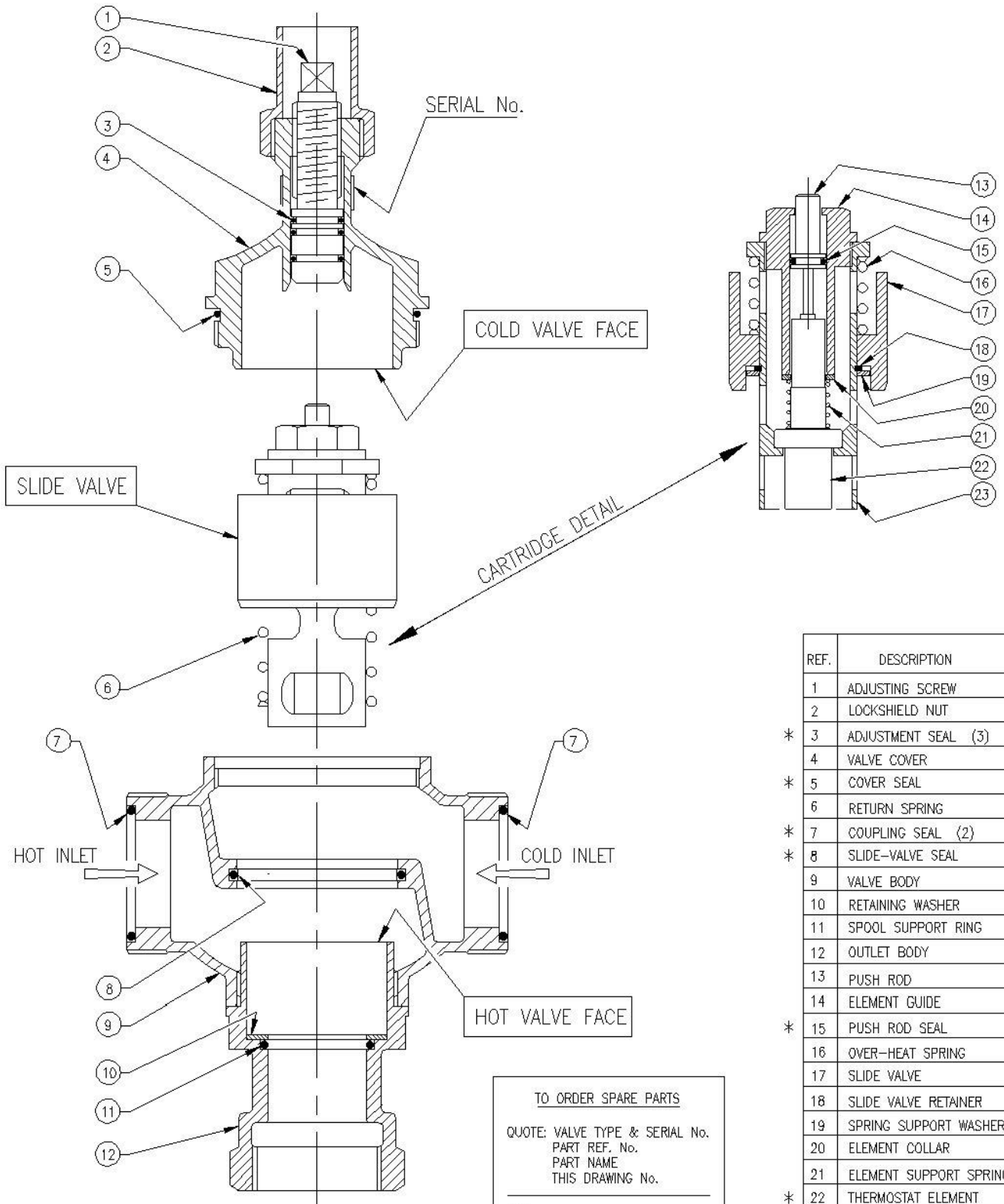
Spares Kits

Part No	Description
5191	Seals Kit
5202	Spares Kit T1 (15 - 32°C) – contains items below marked *
5203	Spares Kit T2 (32 - 52°C) – contains items below marked *
5204	Spares Kit T3 (45 - 62°C) – contains items below marked *
5205	Spares Kit T4 (58 - 80°C) – contains items below marked *
23-4545	NRV Inserts (hot and cold)

Valve Components

Part No	Drawing Ref	Description
20-4517	1	Adjusting Screw
21-1180	2	Lockshield Nut
42-4536	3*	Adjustment Seal (3 required per valve)
20-4537	4	Valve Cover
42-2482C	5*	Cover Seal
40-4527	6	Return Spring
42-4535	7*	Coupling Seal (2 required per valve)
42-2466C	8*	Slide Valve Seal
42-2467C	8*	Slide Valve seal (both makes up one Slide Valve Seal)
20-4538	9	Valve Body (Not supplied as spare Part)
20-4608	10	Retaining Washer
42-4689	11	Spool Support Ring
20-4524	12	Outlet Body (Not supplied as spare part)
20-4519	13	Push Rod
20-4523	14	Element Guide
42-4521	15*	Push Rod Seal
40-4528	16	Over-Heat Spring
20-4522	17	Slide Valve
41-4516	18	Slide Valve Retainer
20-4520	19	Spring Support Washer
20-4518	20	Element Collar
40-3525	21	Element Support Spring

Part No	Drawing Ref	Description
5194	22*	Thermostat Element (15 to 32°C)
5195	22*	Thermostat Element (32 to 52°C)
5196	22*	Thermostat Element (45 to 62°C)
5197	22*	Thermostat Element (58 to 80°C)
60-4515	23	Spool
71-4542T1	13 to 23	Cartridge Detail (Spool Assembly 15 - 32°C)
71-4542T2	13 to 23	Cartridge Detail (Spool Assembly 32 - 52°C)
71-4542T3	13 to 23	Cartridge Detail (Spool Assembly 45 - 62°C)
71-4542T4	13 to 23	Cartridge Detail (Spool Assembly 58 - 80°C)



REF.	DESCRIPTION
1	ADJUSTING SCREW
2	LOCKSHIELD NUT
*	3 ADJUSTMENT SEAL (3)
4	VALVE COVER
*	5 COVER SEAL
6	RETURN SPRING
*	7 COUPLING SEAL (2)
*	8 SLIDE-VALVE SEAL
9	VALVE BODY
10	RETAINING WASHER
11	SPOOL SUPPORT RING
12	OUTLET BODY
13	PUSH ROD
14	ELEMENT GUIDE
*	15 PUSH ROD SEAL
16	OVER-HEAT SPRING
17	SLIDE VALVE
18	SLIDE VALVE RETAINER
19	SPRING SUPPORT WASHER
20	ELEMENT COLLAR
21	ELEMENT SUPPORT SPRING
*	22 THERMOSTAT ELEMENT
23	SPOOL

TO ORDER SPARE PARTS
 QUOTE: VALVE TYPE & SERIAL No.
 PART REF. No.
 PART NAME
 THIS DRAWING No.

eg.:
 SPARES FOR HORNE-32 T.M.V.
 SERIAL No. HH-2345

SLIDE-VALVE SEAL
 REF. 8, DR'G. No. 7308

STANDARD SPARES KIT COMPRISES ITEMS MARKED: *

THE HORNE ENGINEERING CO. LTD.
 JOHNSTONE
 RENFREWSHIRE
 DR'G. No. 7308

PART: ARR'G'T. AND PARTS LIST	PRODUCT: HORNE-32 T.M.V.	SCALE	1 = 1
		DRAWN	W.R. 24/9/98
		CHECKED	
		ISSUE	1