



Horne Engineering Ltd  
Po Box 7, Rankine Street  
Johnstone, Renfrewshire  
Scotland, PA5 8BD  
Tel: 01505 321455  
Fax: 01505 336287  
Email: [technical@horne.co.uk](mailto:technical@horne.co.uk)  
Web: [www.horne.co.uk](http://www.horne.co.uk)

## Pipe Cover Kit for Aluminium Shower Panels

### INSTALLATION INSTRUCTIONS

#### Installation requirements and specifications

Note that this Pipe Cover Kit is **ONLY** suitable for the Horne Range of **Aluminium** Shower Panels. It is not suitable for the Horne Range of Stainless Steel Panels; a separate Pipe Cover Kit is available to suit the Stainless Steel panel range.

There are two different lengths of Pipe Cover Kit available for Aluminium Shower Panels – 465mm long and 940mm long. Please ensure that you have the appropriate length for your application.

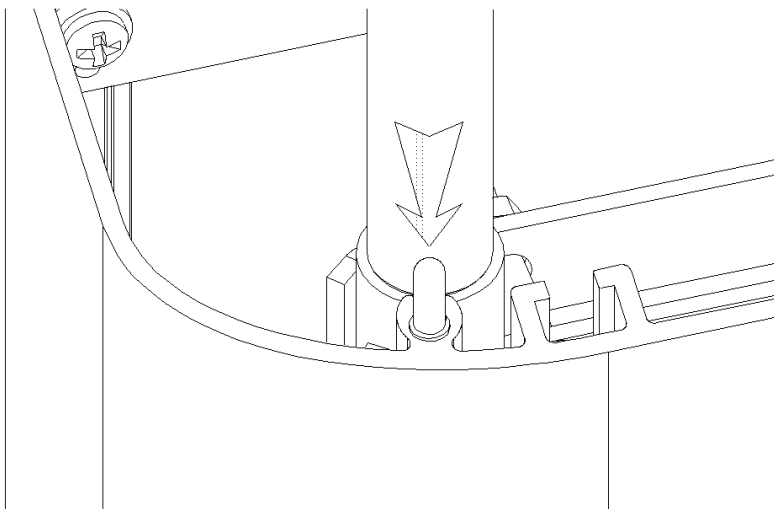
Ensure that you have been supplied with the correct Pipe Cover Kit and that the Pipe Cover is long enough to fully cover the gap between the panel and the ceiling.

Fit the Aluminium Shower Panel to the wall in accordance with the Installation Instructions supplied with it.

Identify the components of the kit by comparing the contents with the drawing shown on the Page 4.

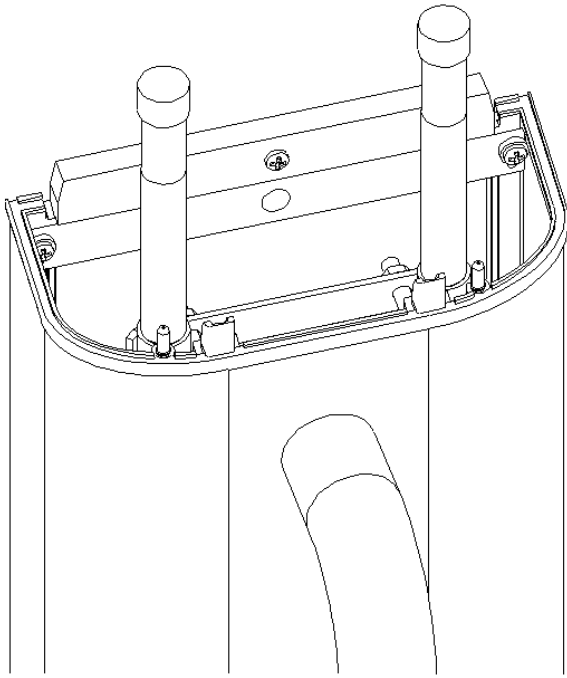
If you have fitted an End Cap on the top of the shower panel, remove it as the Pipe Cover replaces this.

Fit the Width Brace (Item 8) by nesting it on top of the bracing strut across the top of the shower panel. Mark out the securing hole and attach the Width Brace using the supplied screw (Item 7). Use a wall plug (not supplied) if necessary, depending upon your wall material.



Put the two Alignment Pins (Items 6) into the circular recesses in the Channel Section of the Shower Panel. See Fig 1.

Fig 1



Place the shaped Gasket (Item 5) onto the top of the Shower Panel, noting that it only fits one way, and that the rectangular legs engage with the rectangular recesses in the Channel Section of the Shower Panel. See Fig. 2.

Fig 2

Slide the Pipe Cover (Item 4) down into place, engaging with both the Alignment Pins (Items 6) and the Gasket (Item 5). If there are multiple cover sections, this should be repeated, leaving the section with the 90° end cut closest to the ceiling. If the Pipe Cover(s) is too long to do this, then measure the gap between the ceiling and the panel; cut the square TOP end of the Pipe Cover to make the Pipe Cover 15mm **SHORTER** than the gap using a saw suitable for use with aluminium. **NB. DO NOT CUT THE ANGLED END OF THE PIPE COVER** or it will not fit neatly onto the top of the Shower Panel. See Figs 3 and 4.

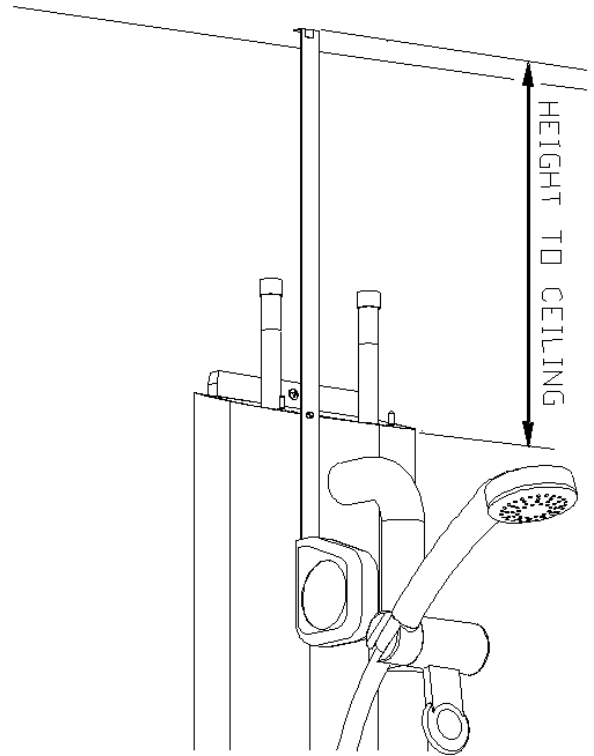


Fig 3

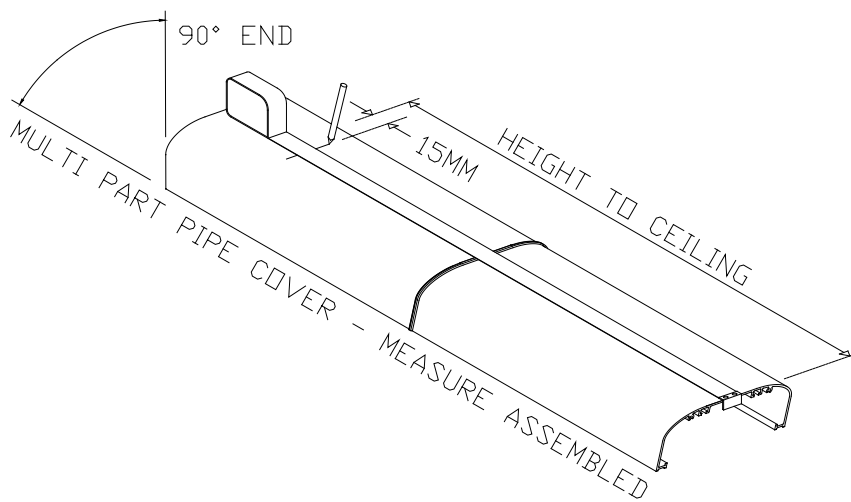


Fig 4

For multi-section pipe covers, the intermediate lengths should be secured to the wall using the mounting holes available at the angled top cut.

Install the lowest section with gasket and alignment pins, atop the mounted shower panel. Mark off the mounting points and then secure the lower cover portion to the wall with supplied screws and bushes, using wall plugs where necessary. See Fig. 5

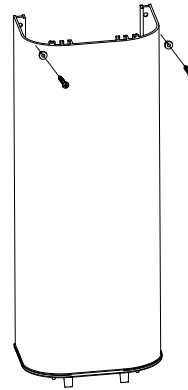


Fig 5

Slide the Pipe Cover (or top section thereof) down into Place and check for fit. The top of the Pipe Cover should be approx 15mm from the ceiling when pressed firmly into place. Position the Saddle over the top of the Pipe Cover with the hole in its lower position. Mark through the hole in the Saddle onto the Pipe Cover. See Fig 6.

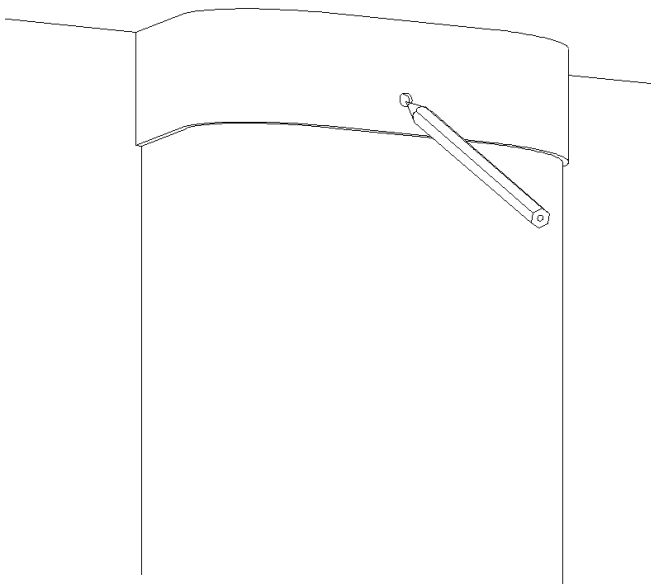


Fig 6

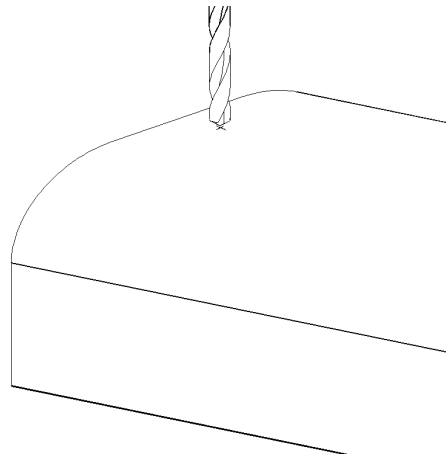
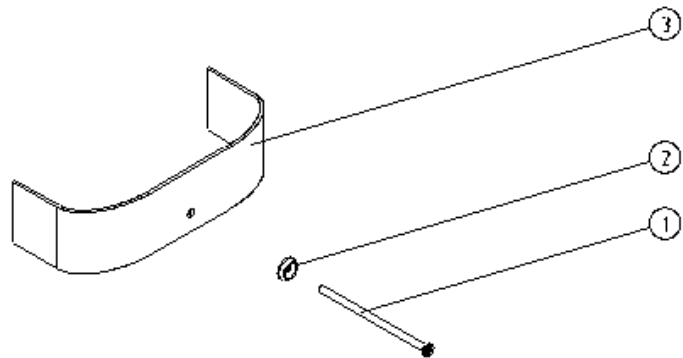
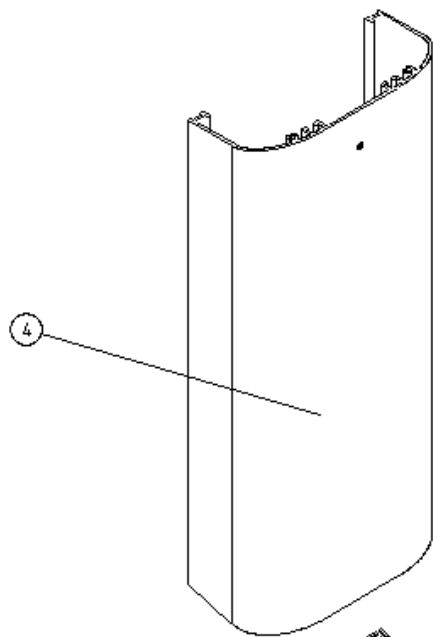


Fig 7

Remove the Saddle (Item 3) and Pipe Cover (Item 4) and drill the Pipe Cover with a 7 mm drill where marked. See Fig 7. Replace the Saddle and Pipe Cover and locate the screw to mark the wall. Ensure the mark made, **is with the screw perpendicular to the panel**. If appropriate, drill the wall to take the screw, or fit appropriate wall plugs. NB. If the pipe drops have not been connected then it is essential that the red plastic pipe covers are in place on the end of the pipes in the Shower Panel to prevent debris from entering the pipes.

Finally, assemble the saddle to the cover by putting the Pin Torx Security Screw (Item 1) through the Screw Cup, the Saddle and Pipe Cover and screwing into the wall fitting. **Do not over-tighten the Pin Torx screw or the Saddle edges will splay out and give a poor appearance**. Silicon sealer can be used at the joint edges if required.

The drawing on Page 4 shows the exploded assembly view of the Pipe Cover and Saddle installation. *Note that pipe cover assemblies with multiple sections, will have multiples of some of the items listed.*



ITEM	DESCRIPTION	No OFF
1	PIN TORX SECURITY SCREW	1
2	SCREW CUP	4
3	SADDLE	1
4	940mm PIPE COVER (465mm or 940mm)	1
5	GASKET	1
6	ALIGNMENT PIN	2
7	WIDTH BRACE SCREW	1
8	WIDTH BRACE	1

TOLERANCES  
(EXCEPT WHERE SPECIFIED)  
D - 50mm ± 0.1  
D1 - 100mm ± 0.25  
ANGLES ± 1°

PARTS TO BE SUPPLIED  
BURR-FREE AND CLEAN

COPYRIGHT 2009, HORNE ENGINEERING LTD. ALL REPRODUCTION PROHIBITED UNLESS AUTHORISED IN WRITING

THIS DRAWING CONTAINS CONFIDENTIAL AND PROPRIETARY INFORMATION OF HORNE ENGINEERING LTD AND UNAUTHORISED DISCLOSURE IS STRICTLY PROHIBITED

PART : PIPE COVER KIT	PRODUCT : ALUMINIUM SHOWER PANELS	MATERIAL : -		HORNE ENGINEERING LTD. JOHNSTONE RENFREWSHIRE
		SCALE	DO NOT SCALE	
		DRAWN	QDP 17-6-09	
		CHECKED		
		ISSUE	2	DR'G. No. 10334