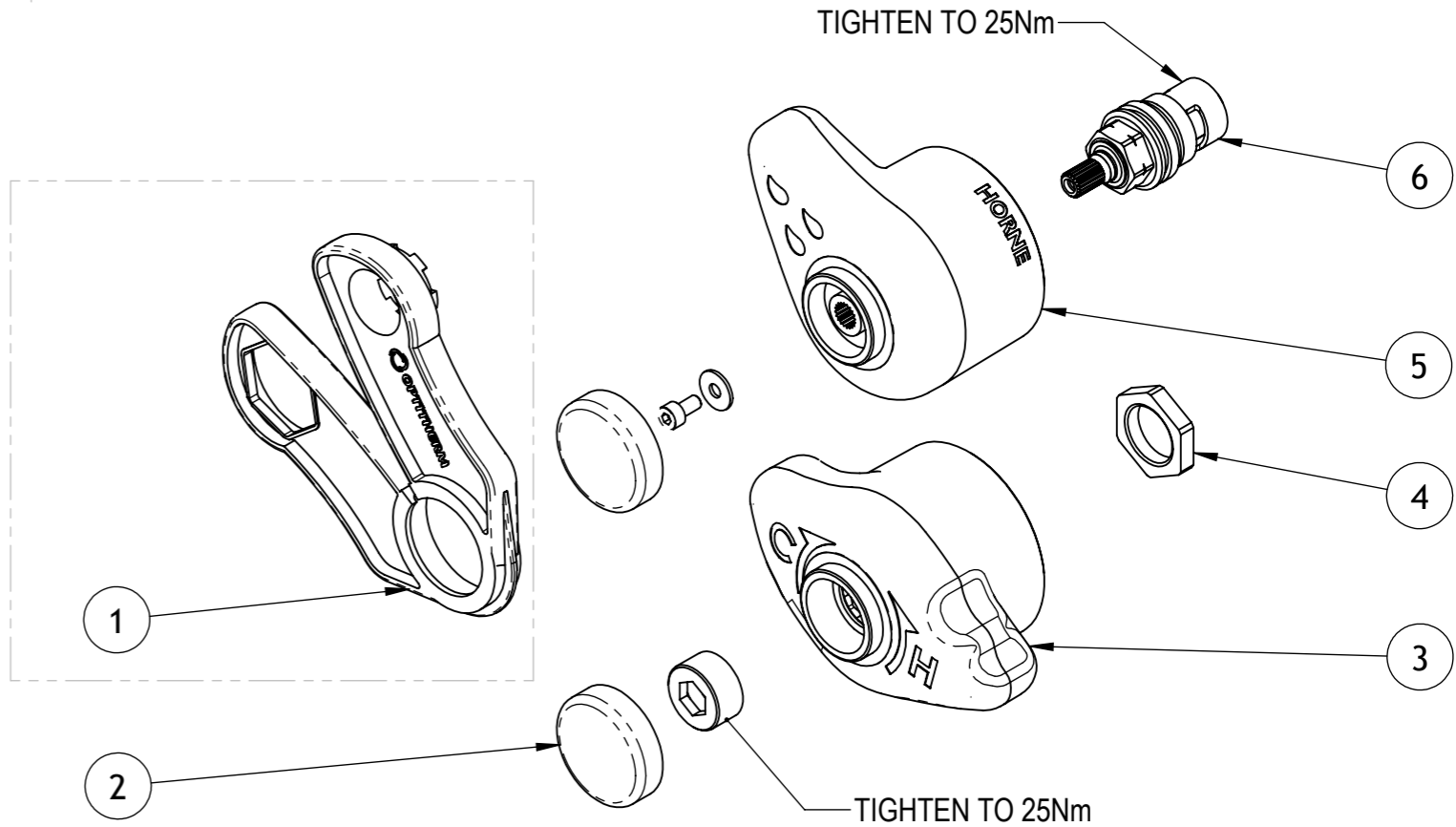
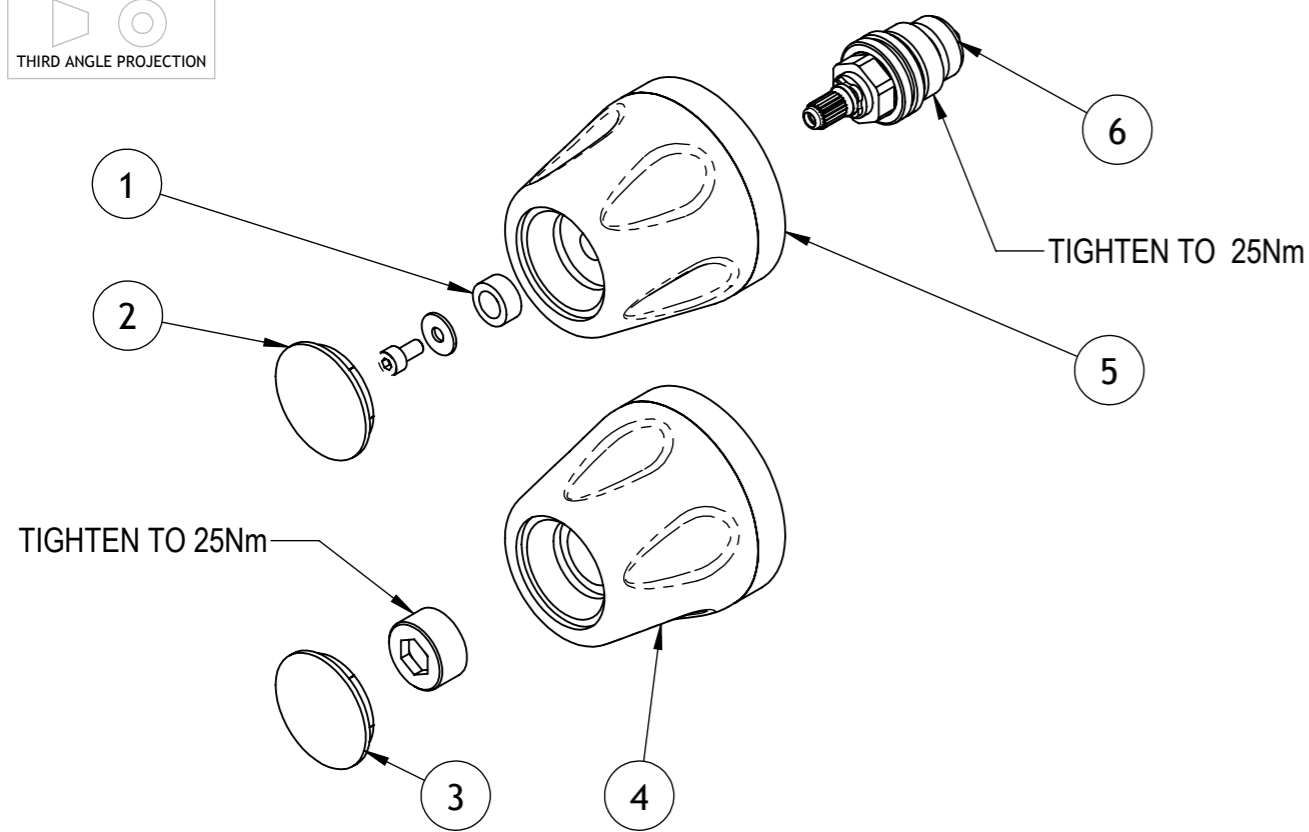


THIRD ANGLE PROJECTION



ITEM NO.	PART NUMBER	DESCRIPTION	PlasticKnobs/QTY.
1	4246	SPACER FOR ON/OFF KNOB	1
2	4264	ON-OFF KNOB CAP	1
3	4263	THERMOSTATIC KNOB CAP	1
4	4406	THERMOSTATIC KNOB ASSEMBLY	1
5	4407	ON/OFF KNOB ASSEMBLY	1
6	4174	NON-RISING HEADGEAR	1

ITEM NO.	PART NUMBER	DESCRIPTION	ZincLevers/QTY.
1	5459	ENDCAP REMOVAL MULTI-TOOL	1
2	5851	CHROME PLATED ENDCAP	2
3	5849	DIE-CAST TEMP CONTROL LEVER	1
4	5850	THERMO KNOB INTERMEDIATE NUT	1
5	5848	DIE CAST FLOW CONTROL LEVER	1
6	5406	LEFT HAND CERAMIC DISC	1

TO CHANGE FROM PLASTIC KNOBS TO DIECAST LEVERS...	>>>	REMOVE COMPONENTS ON LEFT VIEW AND FIT COMPONENTS ON RIGHT VIEW
TO CHANGE FROM DIECAST LEVERS TO PLASTIC KNOBS...	>>>	REMOVE COMPONENTS ON RIGHT VIEW AND FIT COMPONENTS ON LEFT VIEW

COMPONENTS WITHOUT NUMBERED BALLOONS SHOULD BE RE-USED FROM PREVIOUS ASSEMBLY

FAILURE TO OBSERVE RECOMMENDED TIGHTENING TORQUES MAY RESULT IN UNAUTHORISED LEVER REMOVAL AND/OR FLOODING OF SHOWER AREA.

NOTE: TO UPGRADE TSV1-2 & TSV1-3 PANELS BUILT PRIOR TO JUNE 2010, AN UPDATED THERMOSTATIC VALVE COVER (5887) WILL BE REQUIRED. ALSO REQUIRED ARE LOCKNUT 5767, SCREW 5891, AND WASHER 5892. THERMOSTATIC VALVE COVER MUST BE TIGHTENED TO 40Nm.

PARTS TO BE SUPPLIED BURR-FREE AND CLEAN

COPYRIGHT 2010, HORNE ENGINEERING LTD. ALL REPRODUCTION PROHIBITED UNLESS AUTHORISED IN WRITING.  
THIS DRAWING CONTAINS CONFIDENTIAL AND PROPRIETARY INFORMATION OF HORNE ENGINEERING LIMITED AND UNAUTHORISED DISCLOSURE IS STRICTLY PROHIBITED.

MATERIAL:	-	DRN BY	MJ (06/05/2010)	MODEL REV.	A-01	HORNE ENGINEERING LTD. JOHNSTONE RENFREWSHIRE PA5 8BD		
WEIGHT:	-	CHKD BY		DRG REV.	A-01	SHEET 1 OF 1	DO NOT SCALE	A3
PRODUCT:	TSV1 PANELS					DR'G No. 10366		
PART:	TSV1 - CHANGEOVER OF LEVERS/KNOBS							