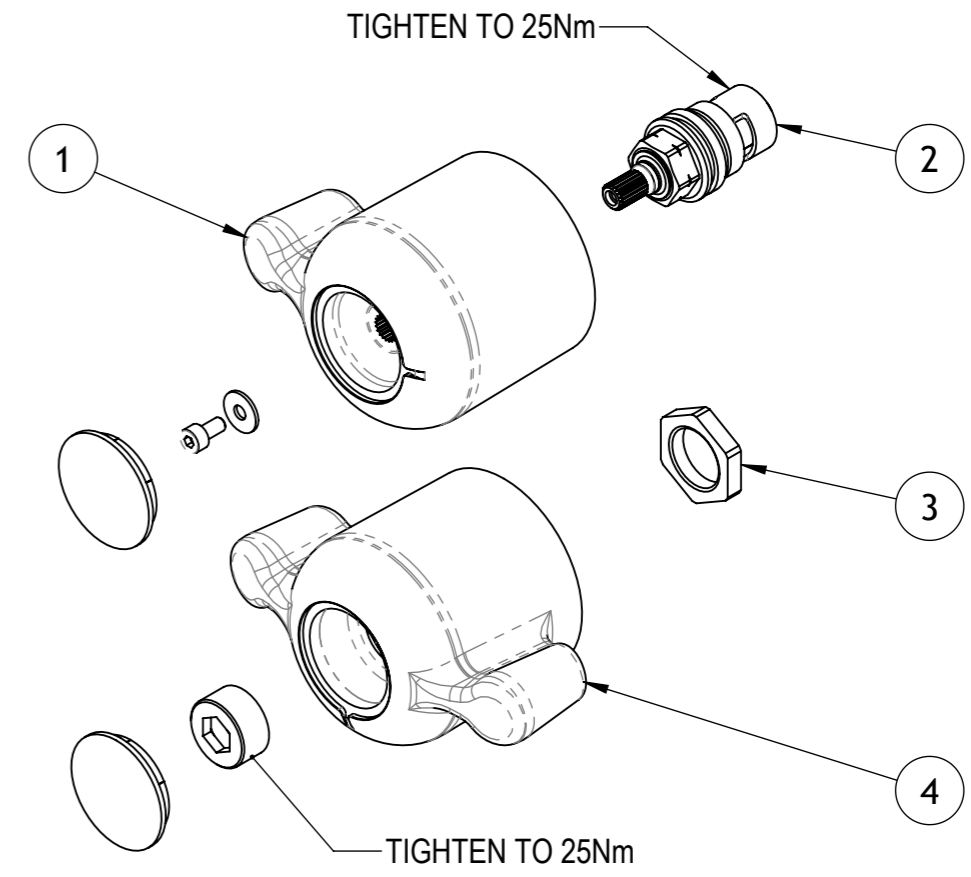


ITEM NO.	PART NUMBER	DESCRIPTION	PlasticKnobs/QTY.
1	4246	SPACER FOR ON/OFF KNOB	1
2	4174	NON-RISING HEADGEAR	1
4	4406	THERMOSTATIC KNOB ASSEMBLY	1
5	4264	ON-OFF KNOB CAP	1



ITEM NO.	PART NUMBER	DESCRIPTION	Lever/QTY.
1	6664	FLOW CONTROL LEVER	1
2	5406	LEFT HAND CERAMIC DISC	1
3	5850	THERMO KNOB INTERMEDIATE NUT	1
4	6665	TEMPERATURE CONTROL LEVER	1

TO CHANGE FROM PLASTIC KNOBS TO DIECAST LEVERS...	>>>	REMOVE COMPONENTS ON LEFT VIEW AND FIT COMPONENTS ON RIGHT VIEW
TO CHANGE FROM DIECAST LEVERS TO PLASTIC KNOBS...	>>>	REMOVE COMPONENTS ON RIGHT VIEW AND FIT COMPONENTS ON LEFT VIEW

COMPONENTS WITHOUT NUMBERED BALLOONS SHOULD BE RE-USED FROM PREVIOUS ASSEMBLY

FAILURE TO OBSERVE RECOMMENDED TIGHTENING TORQUES MAY RESULT IN UNAUTHORISED LEVER REMOVAL AND/OR FLOODING OF SHOWER AREA.

NOTE: TO UPGRADE TSV1-2 & TSV1-3 PANELS BUILT PRIOR TO JUNE 2010, AN UPDATED THERMOSTATIC VALVE COVER (5887) WILL BE REQUIRED. ALSO REQUIRED ARE LOCKNUT 5767, SCREW 5891, AND WASHER 5892. THERMOSTATIC VALVE COVER MUST BE TIGHTENED TO 40Nm.

PARTS TO BE SUPPLIED BURR-FREE AND CLEAN

COPYRIGHT 2010, HORNE ENGINEERING LTD. ALL REPRODUCTION PROHIBITED UNLESS AUTHORISED IN WRITING.  
THIS DRAWING CONTAINS CONFIDENTIAL AND PROPRIETARY INFORMATION OF HORNE ENGINEERING LIMITED AND UNAUTHORISED DISCLOSURE IS STRICTLY PROHIBITED.

MATERIAL:	-			HORNE ENGINEERING LTD. JOHNSTONE RENFREWSHIRE PA5 8BD		
WEIGHT:	-	DRN BY CE (23/2/23)	MODEL REV. B-01.			
PRODUCT:	TSV1 PANELS	CHK'D BY	DRG REV. B-01.	SHEET 1 OF 1	DO NOT SCALE	A3
PART:	TSV1 - CHANGEOVER OF LEVERS/KNOBS			DR'G No. 10366		