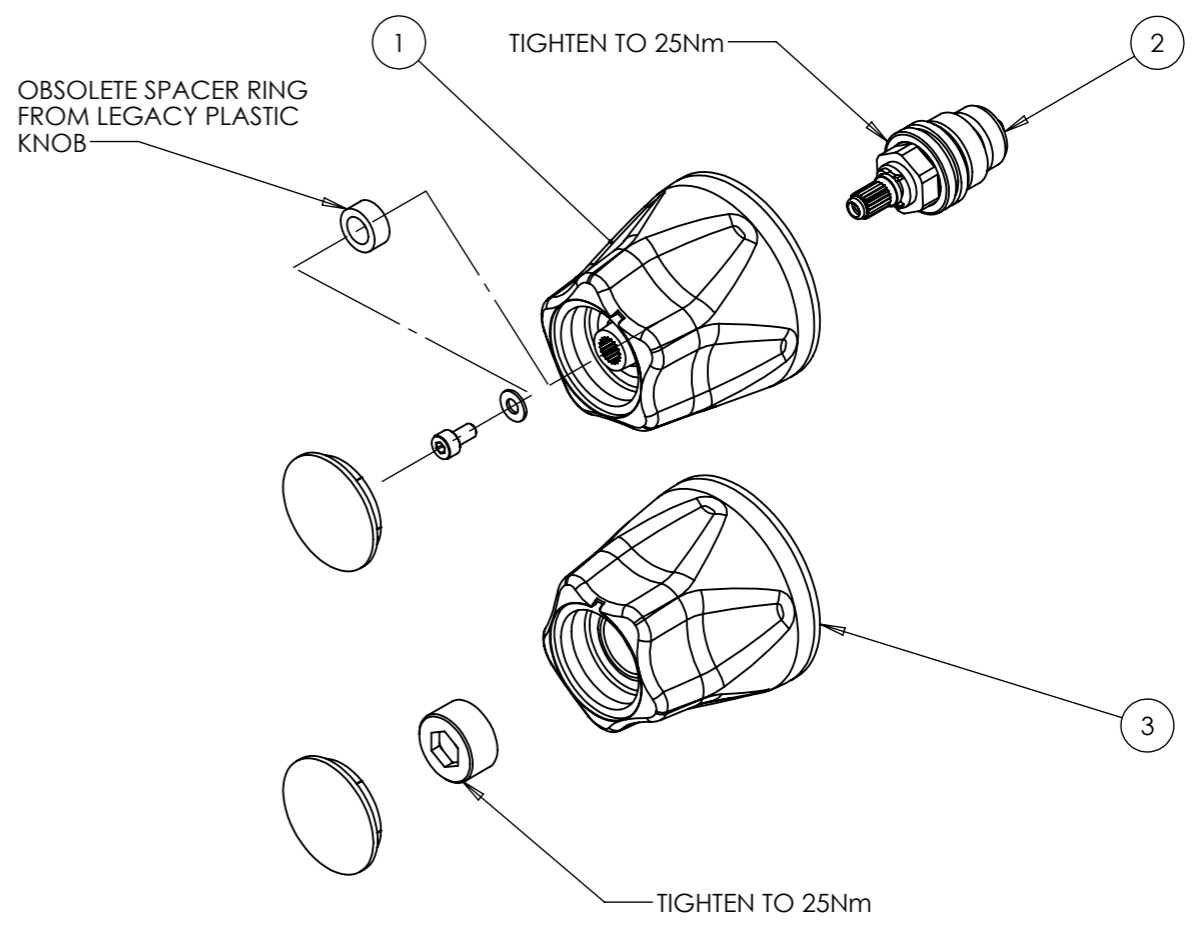


ITEM NO.	DESCRIPTION	QTY.
1	ON/OFF CONTROL LEVER	1
2	LEFT TURN CERAMIC	1
3	THERMO KNOB INTERMEDIATE NUT	1
4	TEMPERATURE CONTROL LEVER	1



ITEM NO.	DESCRIPTION	QTY.
1	ON/OFF CONTROL KNOB	1
2	NON-RISING HEAD	1
3	TEMPERATURE CONTROL KNOB	1

TO CHANGE FROM KNOBS (LEGACY PLASTIC OR DIE-CAST) TO DIE-CAST LEVERS	>>>	PURCHASE KIT 7076A AND REPLACE THE PARTS ON THE RIGHT VIEW WITH THE PARTS ON THE LEFT VIEW. THE SPACER RING (PLASTIC KNOBS ONLY) CAN BE DISCARDED AS NOW OBSOLETE.
TO CHANGE FROM DIE-CAST LEVERS TO DIE-CAST KNOBS	>>>	PURCHASE KIT 7076B AND REPLACE THE PARTS ON THE LEFT VIEW WITH THE PARTS ON THE RIGHT VIEW
TO CHANGE FROM (LEGACY) PLASTIC KNOBS TO DIE-CAST KNOBS	>>>	PURCHASE PARTS 60-6675 AND 60-6676 AND REPLACE THE PLASTIC KNOBS WITH THE DIE-CAST KNOBS. THE SPACER RING CAN BE DISCARDED AS NOW OBSOLETE.

NOTE: COMPONENTS WITHOUT A NUMBER BALLOON SHOULD BE REUSED.
 FAILURE TO OBSERVE RECOMMENDED TIGHTENING TORQUES MAY RESULT IN UNAUTHORISED LEVER REMOVAL, AND/OR FLOODING OF SHOWER AREA.

DRAWING TO BS 8888:2020		Description:		HORNE
GENERAL TOLERANCES TO BS 2768-H		KNOB AND LEVER EXCHANGE		
ALL MACHINED SURFACES TO BE 1.6Ra, CLEAN, AND BURR FREE. BREAK ALL EDGES 90° OR LESS U.N.O		Product:		Copyright 2024, Horne Engineering Ltd. All reproduction prohibited unless authorised in writing.
		ALUMINIUM SHOWER PANEL		
		Drawing Number:		This drawing contains confidential and proprietary information of Horne Engineering Ltd. and unauthorised disclosure is strictly prohibited.
		0007076-C		
		Drawn By:	Drawn Date:	
		CE	26/04/24	