

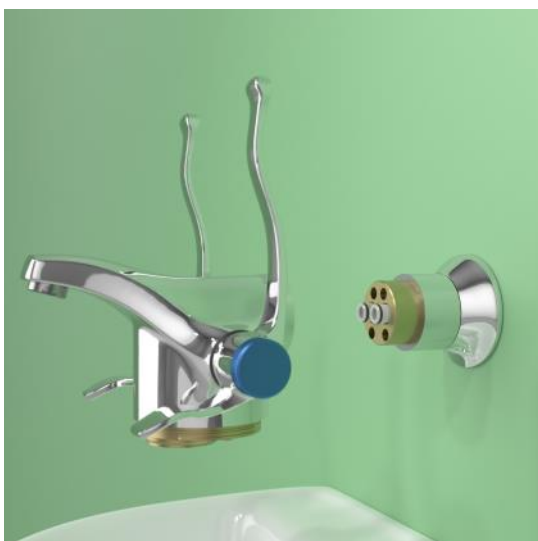
# HORNE®

## HORNE OPTITHERM Thermostatic Medical Tap

A bib-mounted dual lever, thermostatic tap with integral mixing valve, warm and cold water delivery for use in healthcare and clinical applications.



Clinical hand wash under thermostatically controlled warm water



Modular design for easy installation and servicing, or substitution

### Features & Benefits

- Integral Type 3 thermostatic mixing valve complete with easy-access\* isolation valves, check valves, strainers and thermostatic cartridge
- Robust, reliable design ensures optimum performance over extended lifetime
- Safe, consistent and comfortable warm water delivery aids hand hygiene compliance
- Integral combined flow regulator-conditioner (6 L/min) at outlet for water economy without splashing
- Dual lever operation - elbow shut off avoids hand recontamination after washing
- Clutch mechanism on levers prevents accidental or intentional breakage
- Safe surface temperature ( $\leq 42^{\circ}\text{C}$ ) ensured during and after operation
- Cold water bypass for dedicated cold water delivery
- Hard, polished and continuously smooth chromium plated surface, fully accessible for thorough and effective cleaning

\* with correct tools



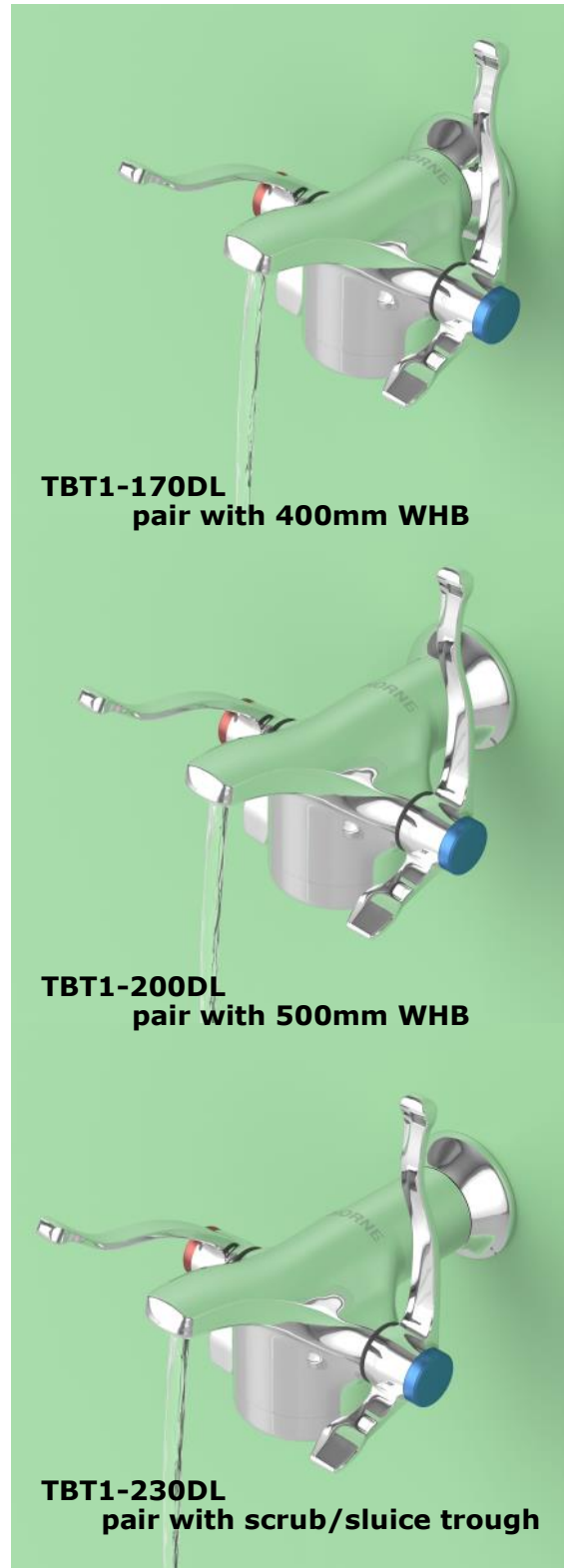
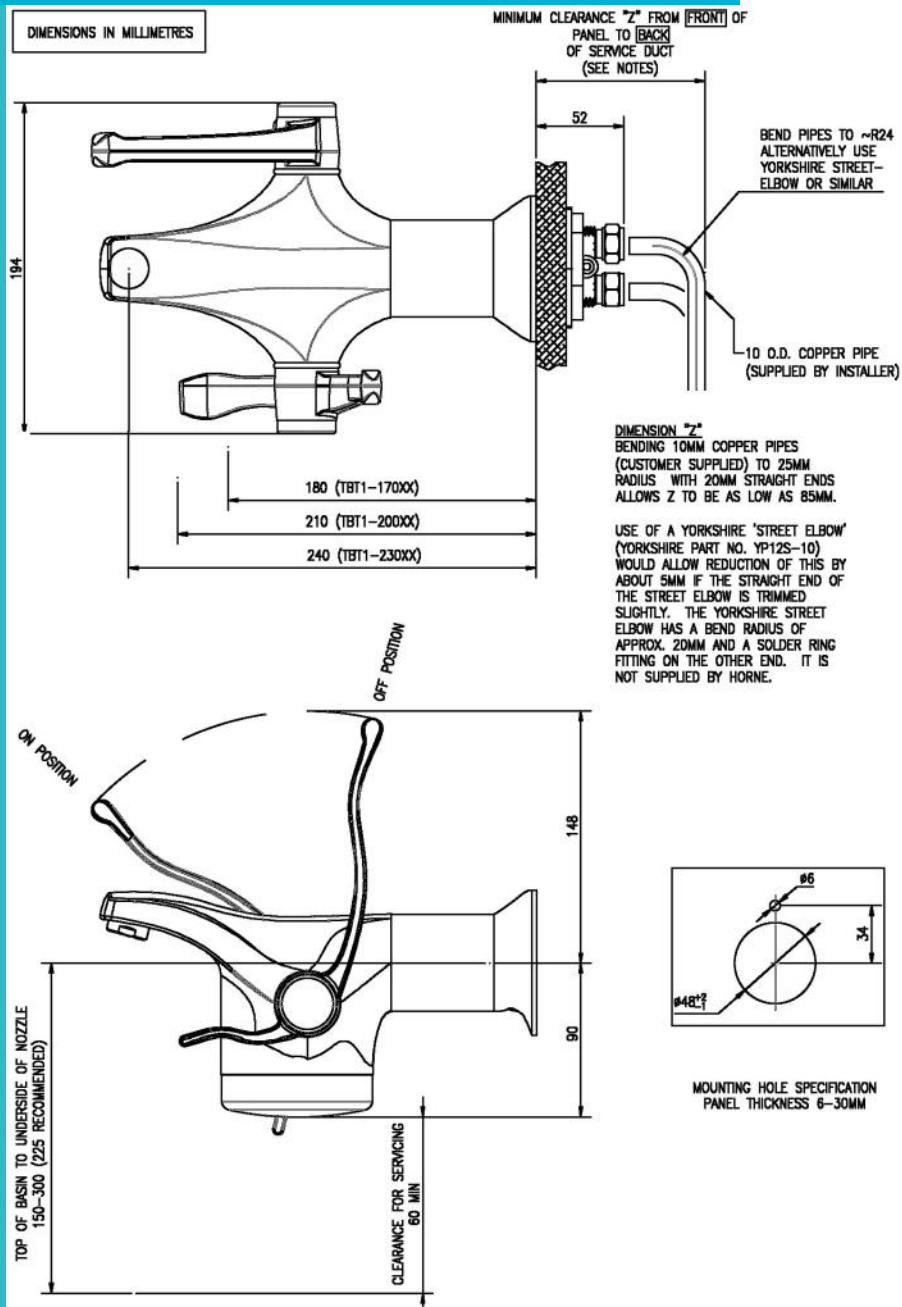
Cert. No. FM 1224



### Variations

**Dual Levers:** The Optitherm is supplied with patented dual levers for effective hands-free operation and improved infection control.

**Extension pieces:** The distance from the wall to the outlet can be increased from the standard 180mm to 210mm or 240mm using the 30mm or the 60mm extension piece.



### Operating Parameters

Hot and cold water supply pressures do not need to be equal.

Temp. setting at factory	41°C
Range of temp. adjustment	35 - 44°C
Range of hot water supply temp.	55 - 65°C
Minimum differential between H & C water temp's and mixed water temp.	12°C
Maximum static pressure	10 bar
Range of maintained water supply pressures	1 - 5 bar