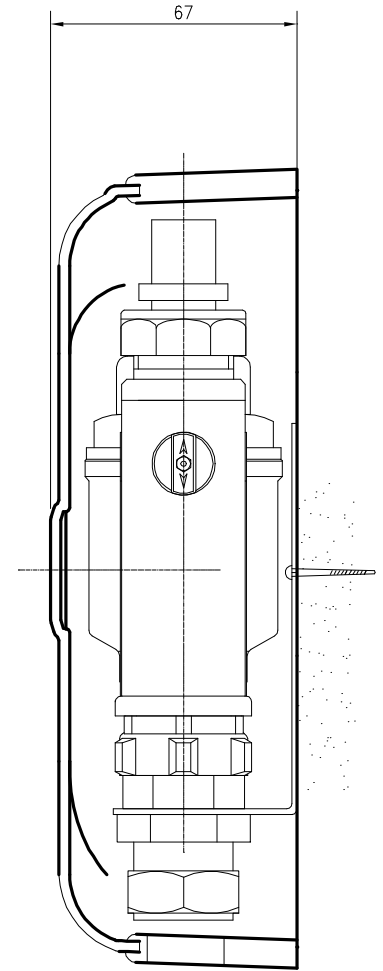
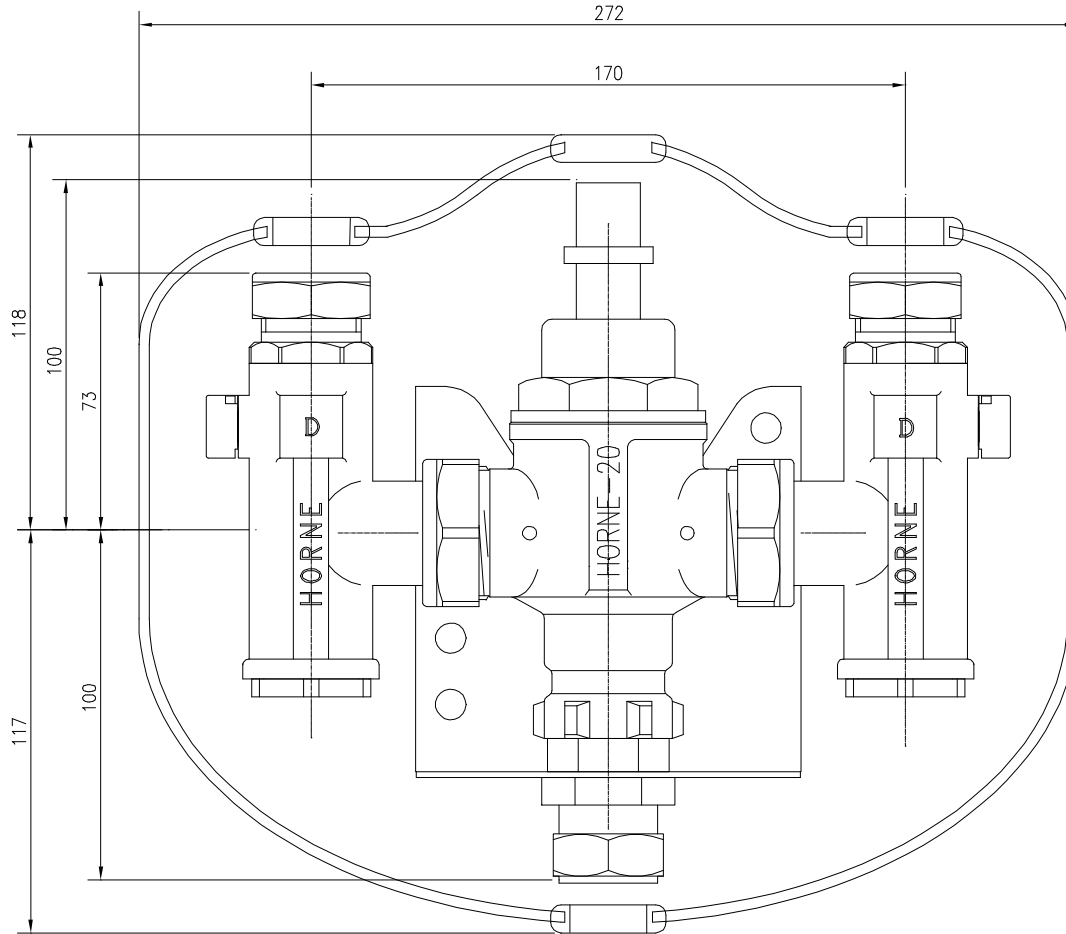
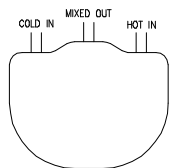
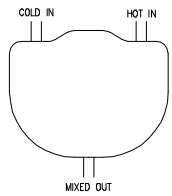
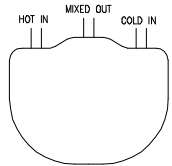
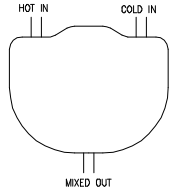


INLET/OUTLET OPTIONS - CAN BE MOUNTED IN ANY ORIENTATION



COPYRIGHT 2004, HORNE ENGINEERING LTD. ALL REPRODUCTION PROHIBITED UNLESS AUTHORISED IN WRITING

PART :
GENERAL ARRANGEMENT

PRODUCT :
H20-23B/C

SCALE	DO NOT SCALE
DRAWN	MJ 28.6.04
CHECKED	
ISSUE	1

HORNE ENGINEERING LTD.
JOHNSTONE
RENFREWSHIRE

DR'G. No. PA579/K