

APPLICATIONS:

Point of use mixing for a single bath or multipoint outlets such as wash-hand basins and showers in hospitals, schools, sport and leisure centres, prisons and other public buildings.

KEY FEATURES:

- Every valve performance tested in production
- TMV3 Approved for LP and HP designations
- Accurate and reliable temperature control
- Full bore strainers help protect internal valve mechanism and downstream fittings
- Automatic shut off if hot or cold water supply fails
- Easy installation, commissioning and maintenance
- WRAS approved



Certificate No. BC308/0907



H20-11B complete with integral check valves and strainers



H20-21B complete with integral check valves, strainers and isolating valves



HORNE valve with wall mounting kit

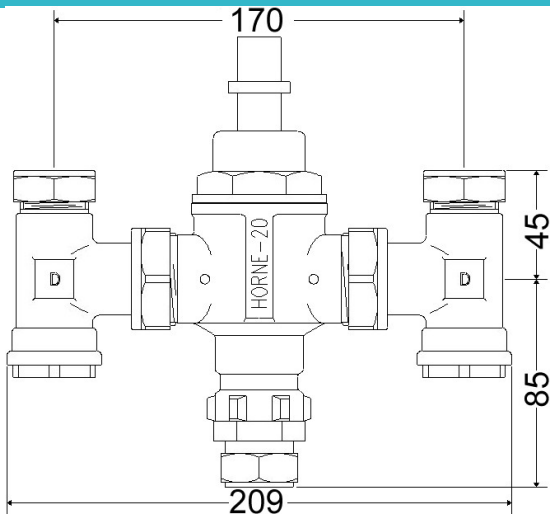


HORNE 20 with white plastic cover

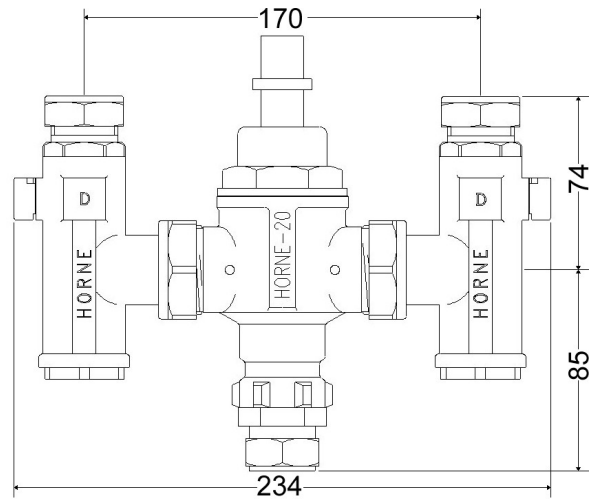
SPECIFICATION REFERENCES

A number of variants of the HORNE 20 TMV are available in either **bronze (B)** or **chromium plated (C)** finish:

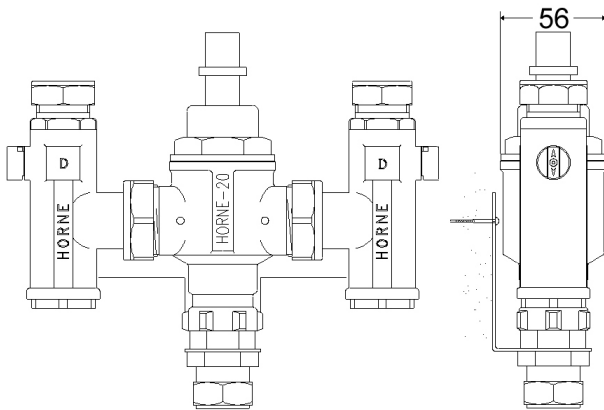
	PRODUCT REF
HORNE 20 TMV	
WITH integral check valves and strainers...	H20-11B / H20-11C
PLUS wall mounting kit.....	H20-12B / H20-12C
PLUS white plastic cover.....	H20-13B / H20-13C
OR	
HORNE 20 TMV	
WITH integral check valves, strainers and isolating valves	H20-21B / H20-11C
PLUS wall mounting kit.....	H20-22B / H20-12C
PLUS white plastic cover.....	H20-23B / H20-13C



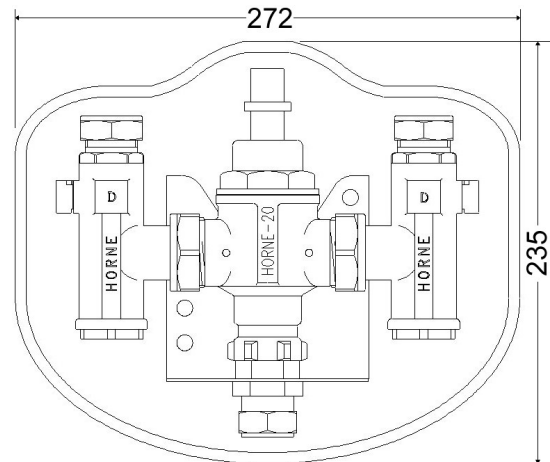
H20-11B / C



H20-21B / C

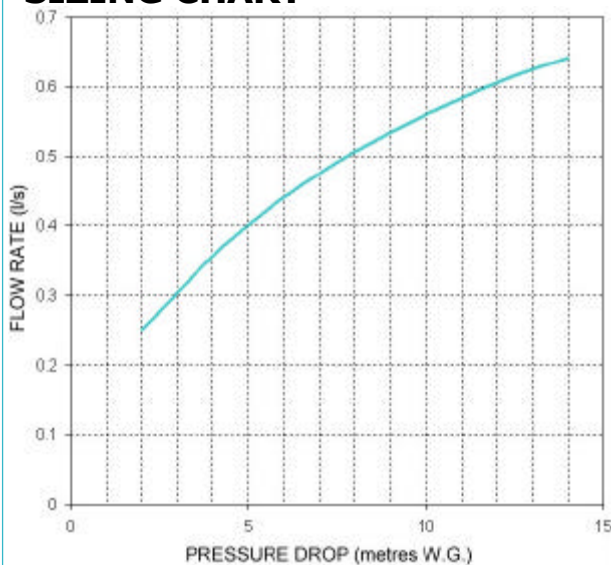


H20-22B / C



H20-13B / C and H20-23B / C

-sizing chart



OPERATING PARAMETERS

Temp. setting at factory	41°C
Range of temp. adjustment	35 - 50°C
Range of hot water supply temp.	52 - 85°C
Maximum static pressure	10 bar
Range of maintained water supply pressures	0.2 - 5 bar

Unequal pressures are usually acceptable if gravity-pressure supplies one of the inlets: minimum 0.2 Bar. The lower of the two pressures will determine the flow rate.

When both supplies are pumped, pressures should be nominally equal.



Certificate No. FM 1224



HORNE ENGINEERING Ltd, PO Box 7, Rankine Street, Johnstone, PA5 8BD
 Tel: +44 (0)1505 321455 Fax: +44 (0)1505 336287 email: sales@horne.co.uk web: www.horne.co.uk