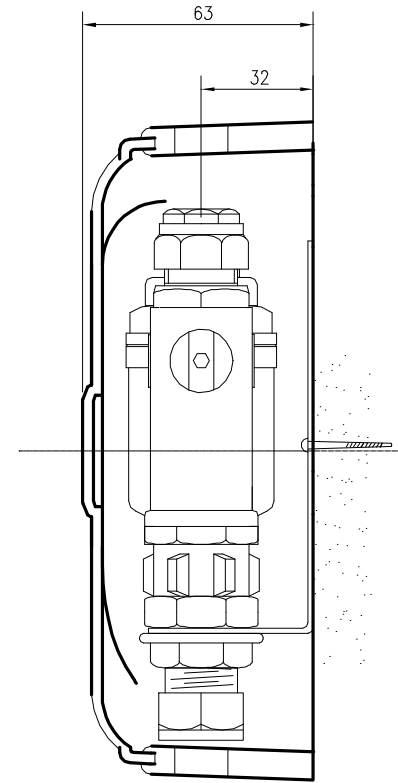
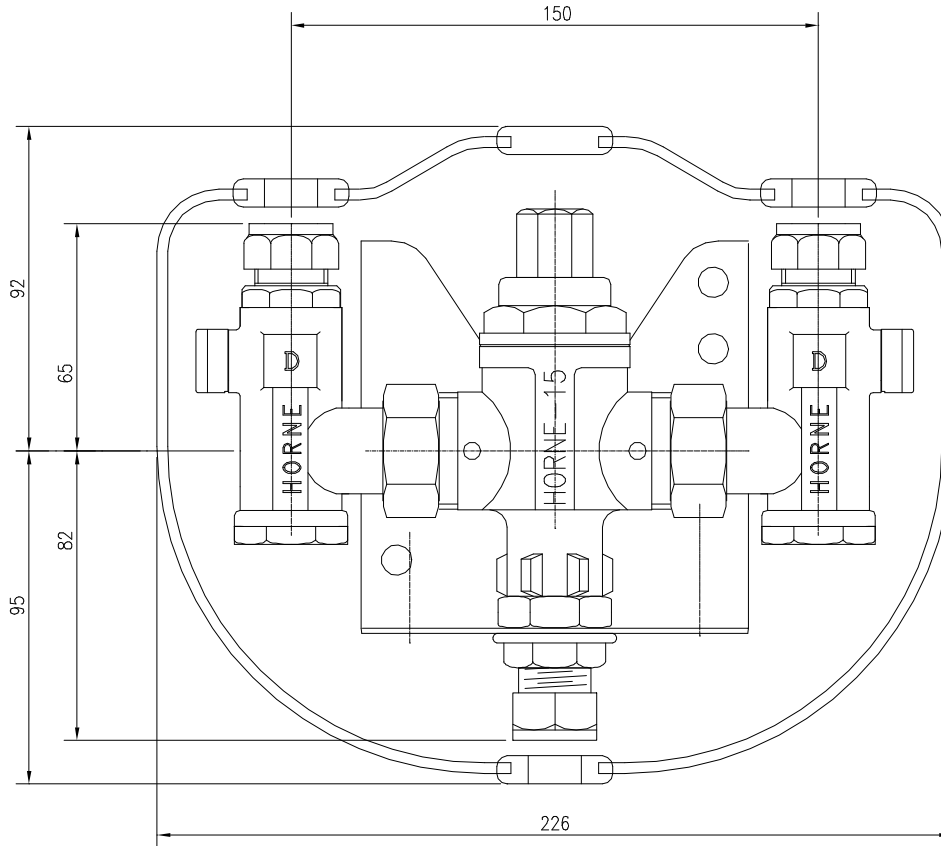
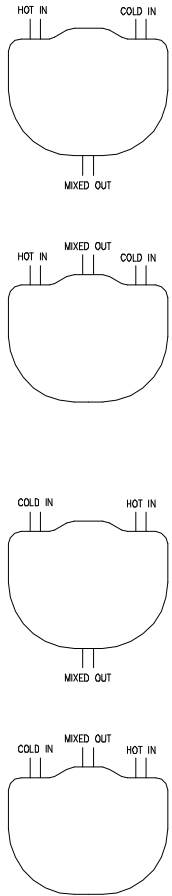


INLET/OUTLET OPTIONS - CAN BE MOUNTED IN ANY ORIENTATION



COPYRIGHT 2004, HORNE ENGINEERING LTD. ALL REPRODUCTION PROHIBITED UNLESS AUTHORISED IN WRITING				HORNE ENGINEERING LTD. JOHNSTONE RENFREWSHIRE	
PART : GENERAL ARRANGEMENT		PRODUCT : H15-23B/C			
				1	DR'G. No. PA579/C