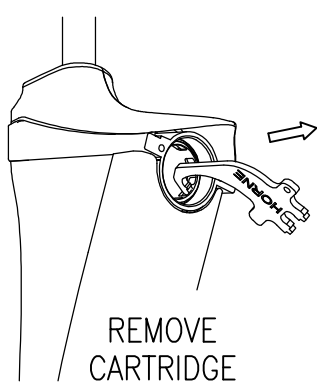


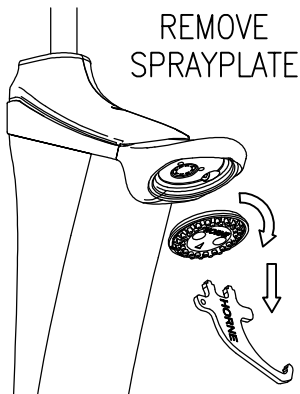
MAINTENANCE



CHANGE
CARTRIDGE
(P/N: 71-6072)
EVERY 3 YEARS



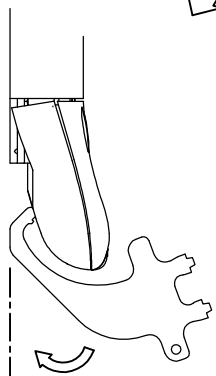
REMOVE
CARTRIDGE



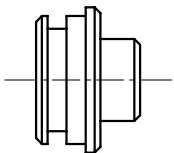
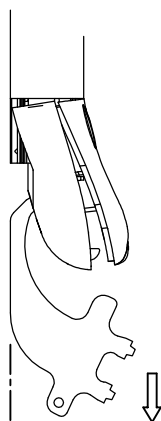
REMOVE
SPRAYPLATE



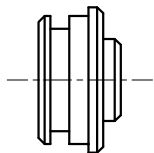
SPECIAL TOOL
P/N: 21-6071



REMOVE
COVER



22a (~30 SEC)
P/N: 23-6073



22b (60 SEC+)
P/N: 23-6043

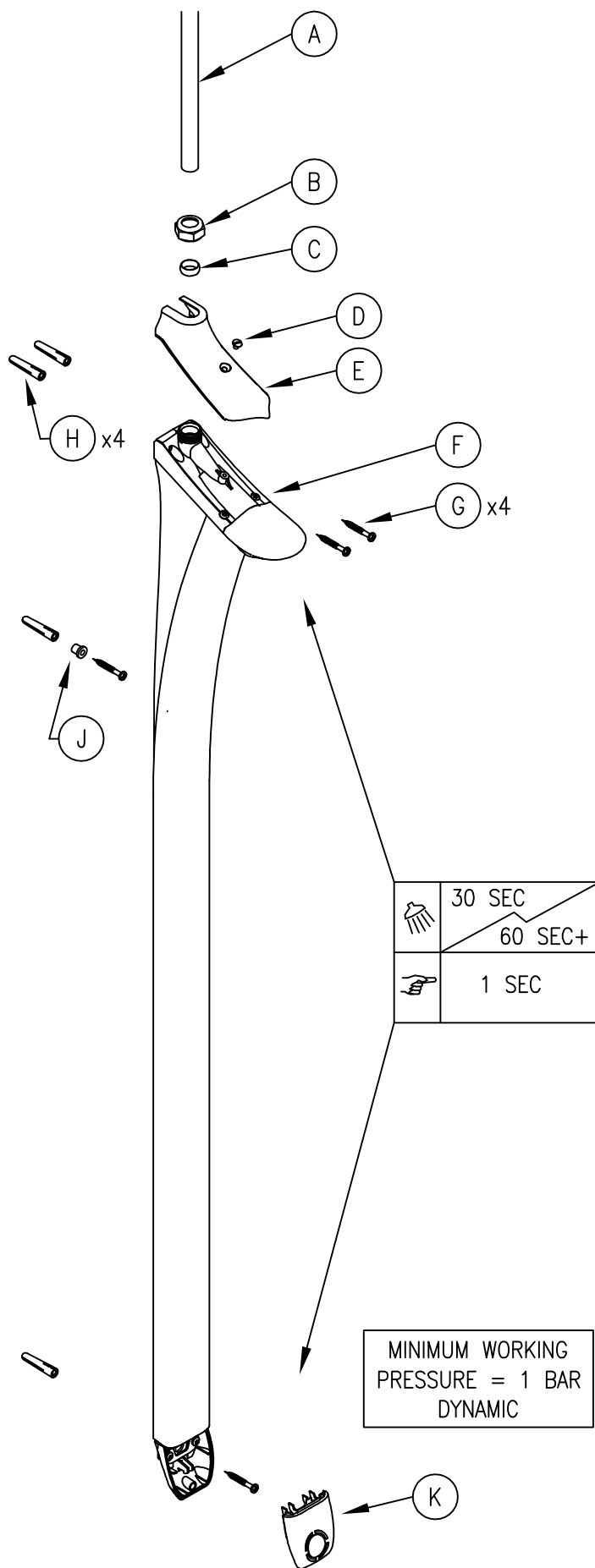
HORNE ENGINEERING LTD.
PO BOX 7, RANKINE STREET
JOHNSTONE, RENFREWSHIRE.
PA5 8BD. UK.
T: +44 1505 321 455
F: +44 1505 336 287
W: WWW.HORNE.CO.UK

D11314 - REV.2

HORNE

Dușo

["doosho"]

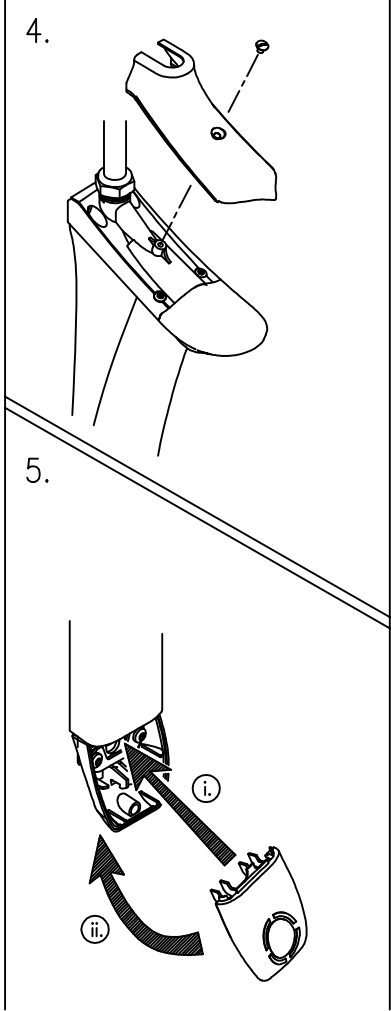
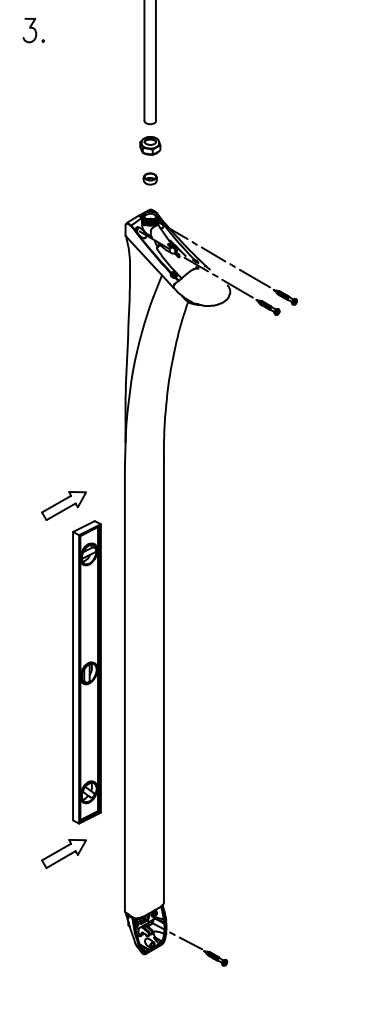
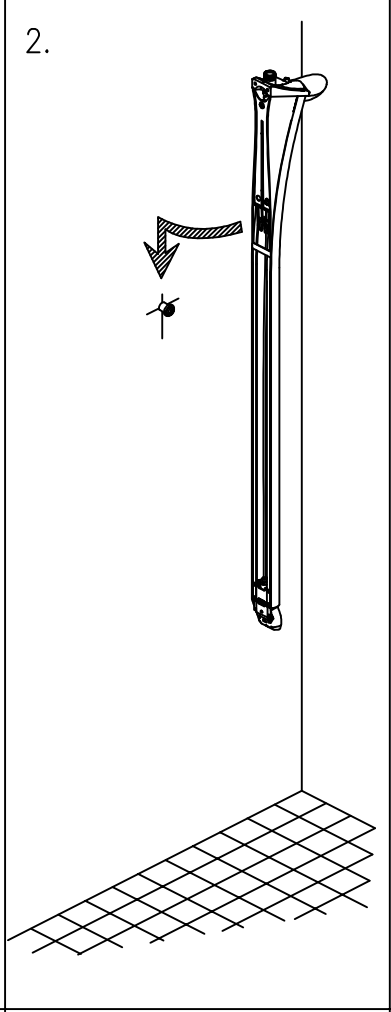
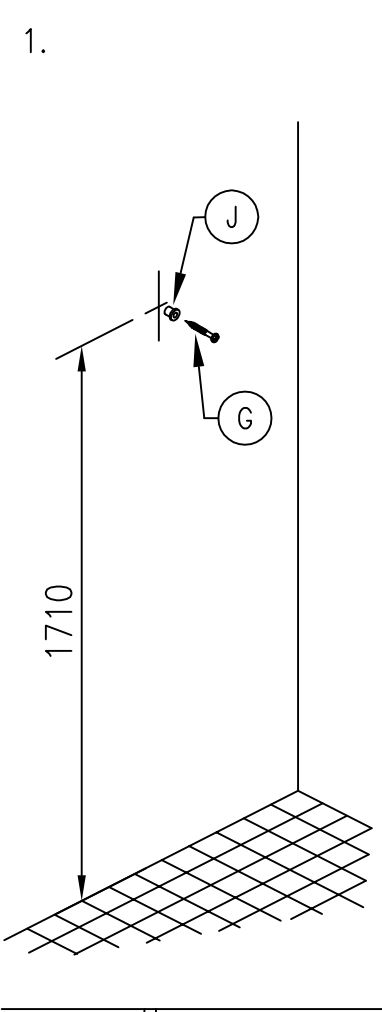


	30 SEC
	60 SEC+
	1 SEC

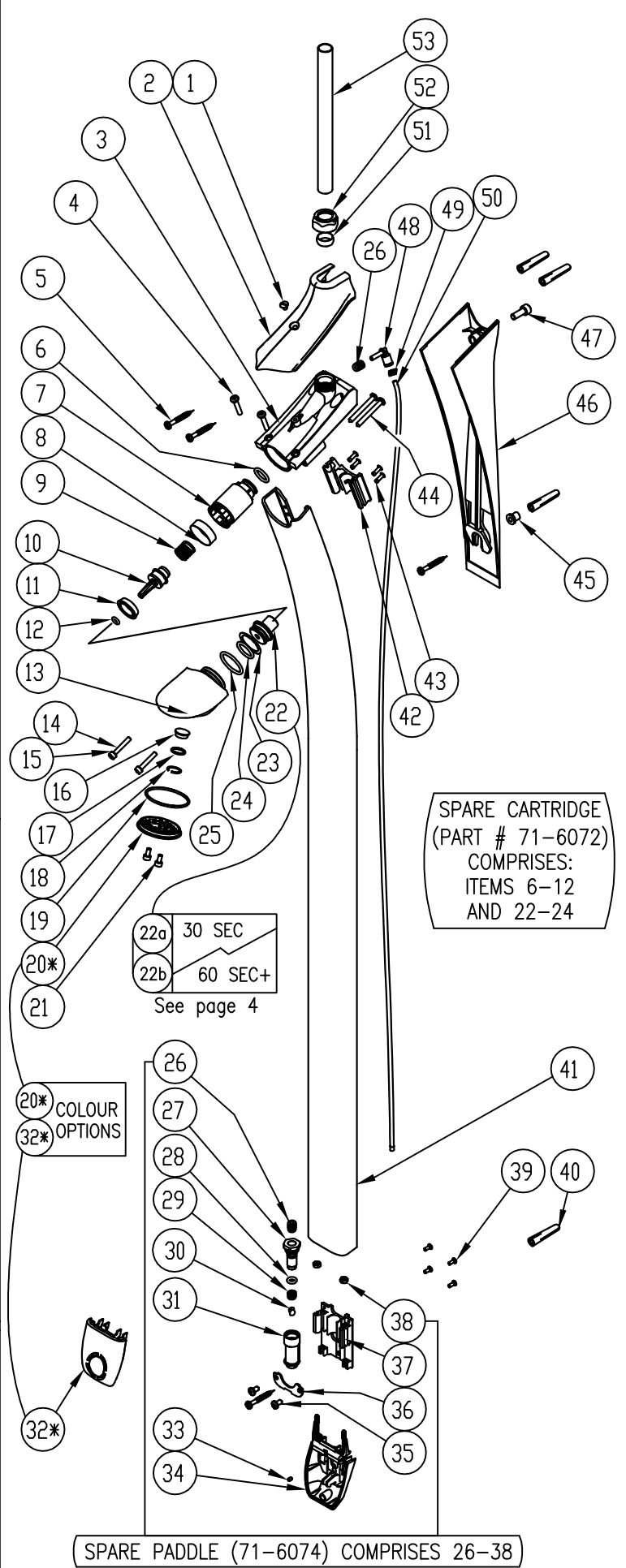
MINIMUM WORKING
PRESSURE = 1 BAR
DYNAMIC

FIND THESE PARTS IN THE BOX...

INSTALLATION



SPARE PARTS



TO ORDER SPARES QUOTE D11314 REV.2, & BALLOON NUMBER