

# HORNE®

## Product datasheet: HORNE 15 Thermostatic Mixing Valve

### APPLICATIONS:

Point of use mixing for bidets, wash hand basins, baths and showers in hospitals, schools, sport and leisure centres, prisons and other public buildings.

### KEY FEATURES:

- Every valve performance tested in production
- TMV3 approved for both LP and HP designations
- Accurate and reliable temperature control
- Full bore fine mesh strainers protect valve mechanism and downstream fittings
- Automatic shut off if hot or cold water supply fails
- Easy installation, commissioning and maintenance
- Flow regulator for water economy



Certificate No. BC1040/0812



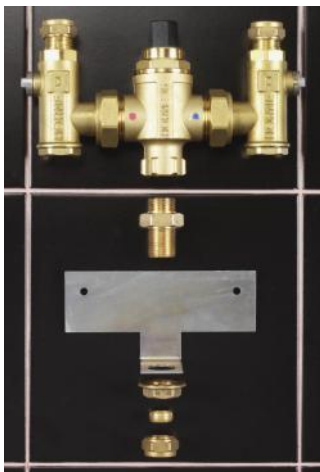
H15-11B complete with check valves and strainers



H15-21B complete with check valves, strainers and isolating valves



H15-24B complete with check valves, strainers, isolating valves and 4th connection to cold tap



HORNE 15 with wall mounting kit



HORNE 15 with white plastic cover

### SPECIFICATION REFERENCE

A number of variants of the HORNE 15 TMV are available in either **bronze (B)** or **chrome (C)** finish:

HORNE 15 TMV

WITH integral check valves and strainers.....

PLUS wall mounting kit.....

PLUS white plastic cover.....

**OR**

HORNE 15 TMV

WITH integral check valves, strainers and

**isolating valves**.....

PLUS wall mounting kit.....

PLUS white plastic cover.....

**OR**

HORNE 15 TMV

WITH integral check valves, strainers, isolating

valves and **4th connection to cold tap**.....

PLUS wall mounting kit.....

PLUS white plastic cover.....

#### PRODUCT REF

**H15-11B / H15-11C**

**H15-12B / H15-12C**

**H15-13B / H15-13C**

**H15-21B / H15-21C**

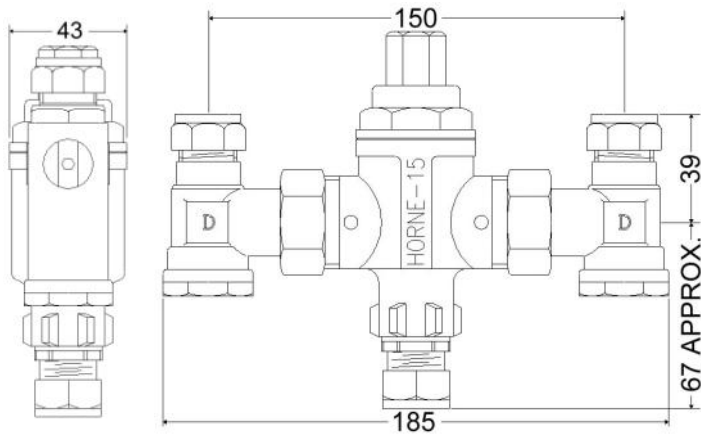
**H15-22B / H15-22C**

**H15-23B / H15-23C**

**H15-24B / H15-24C**

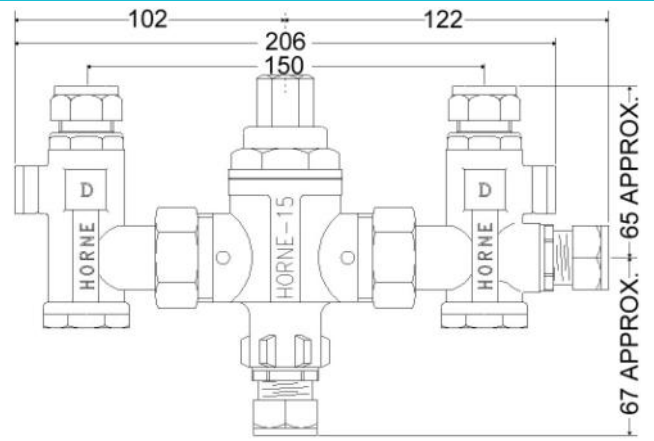
**H15-25B / H15-25C**

**H15-26B / H15-26C**

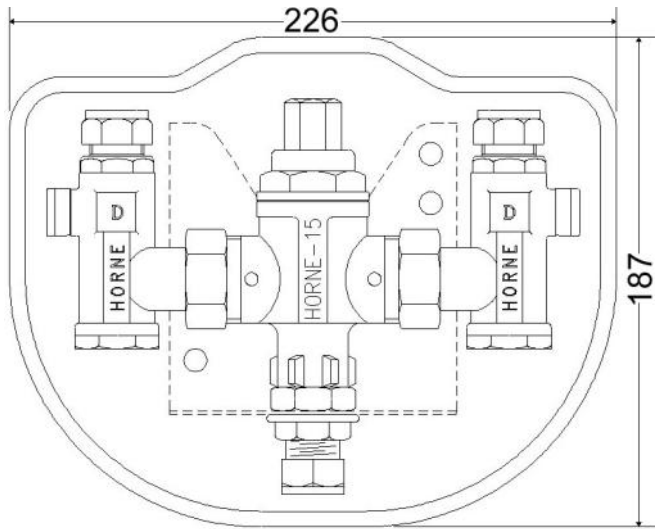


PROFILE

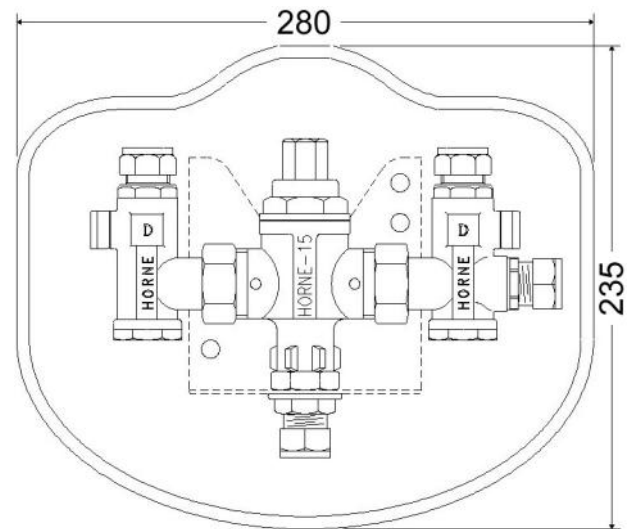
H15-11B and H15-11C



H15-24B and H15-24C

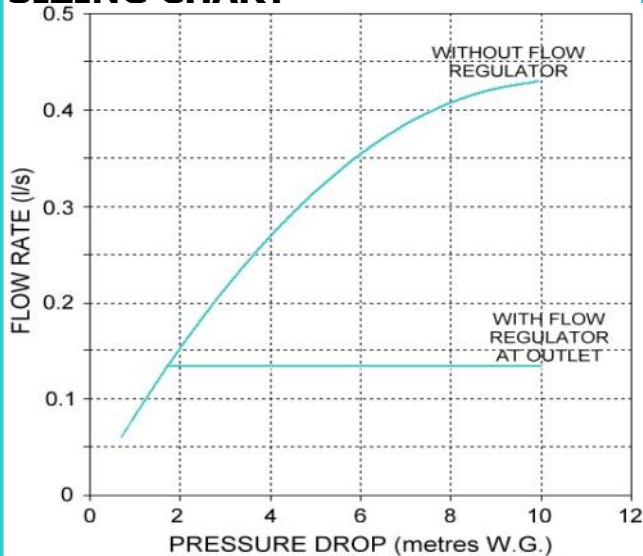


H15-13B and H15-23B



H15-26B and H15-26C

## SIZING CHART



## OPERATING PARAMETERS

Temp. setting at factory	41°C
Range of temp. adjustment	35 - 50°C
Range of hot water supply temp.	52 - 85°C
Minimum differential between hot water temp. and mixed water temp.	5°C
Maximum static pressure	10 bar
Range of maintained water supply pressures	0.2 - 5 bar

Hot and cold water supply pressures do not need to be equal. The lower of the two pressures, however, should not be less than 0.2 bar maintained (dynamic pressure).



Certificate No. FM 1224



HORNE ENGINEERING Ltd, PO Box 7, Rankine Street, Johnstone, PA5 8BD  
 Tel: +44 (0)1505 321455 Fax: +44 (0)1505 336287 email: sales@horne.co.uk web: www.horne.co.uk