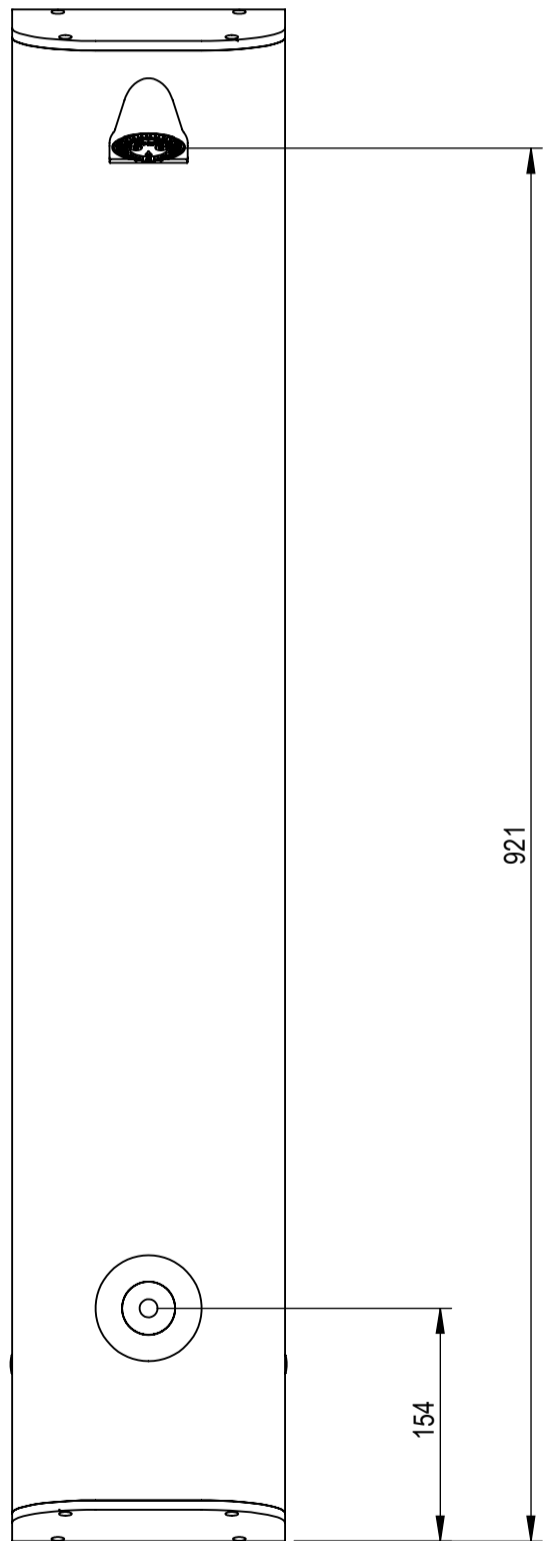
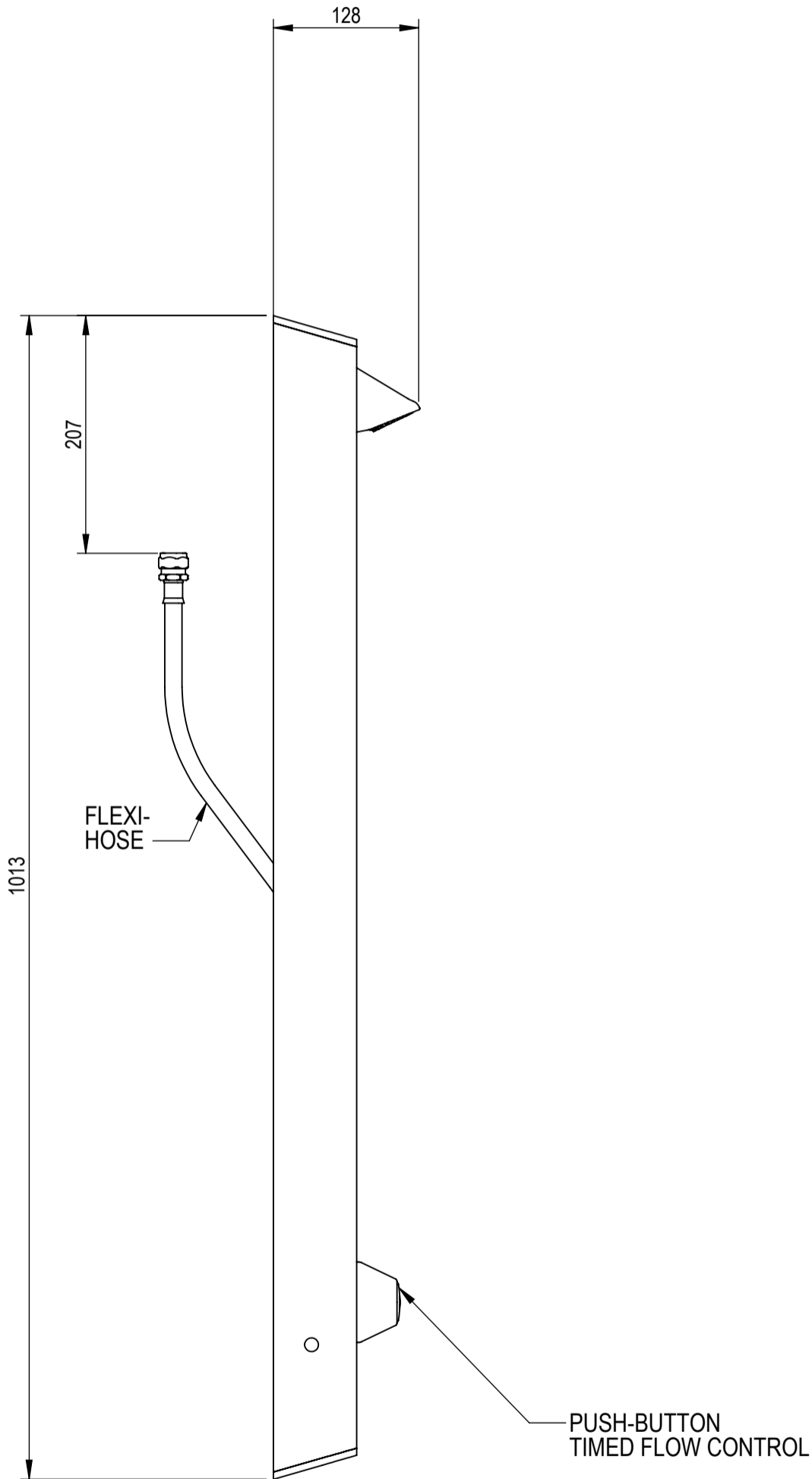
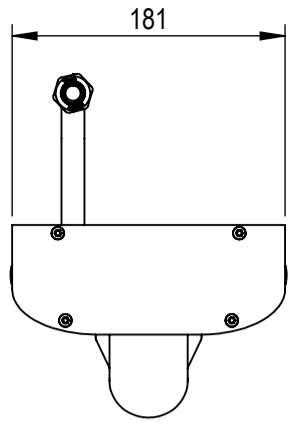


ALL DIMENSIONS ARE APPROXIMATE



COPYRIGHT 2014, HORNE ENGINEERING LTD. ALL REPRODUCTION PROHIBITED UNLESS AUTHORISED IN WRITING.
 THIS DRAWING CONTAINS CONFIDENTIAL AND PROPRIETARY INFORMATION OF HORNE ENGINEERING LIMITED AND UNAUTHORISED DISCLOSURE IS STRICTLY PROHIBITED.

DRN BY	MJ (22/01/2016)
CHK'D BY	

MODEL REV.	A-01
DRG REV.	B-01

HORNE ENGINEERING LTD.
 JOHNSTONE
 RENFREWSHIRE
 PA5 8BD

SHEET 1 OF 1

DO NOT SCALE

A3

CONFIG OF: 6270

PRODUCT: S110BLR

DR'G No. 11369