

### T306B SHOWER PANEL

#### HORNE SHOWER PANEL WITH PUSH BUTTON TIMED FLOW CONTROL & SWIVEL SHOWER HEAD

Includes integral HORNE 15 thermostatic mixing valve pre-plumbed within a white (RAL 9010) powder coated aluminium panel with push button timed flow control and easy clean swivel shower head in chromium plated finish. Connections by flexible Soft-PEX braided hose for concealed water supplies.



#### FEATURES & BENEFITS

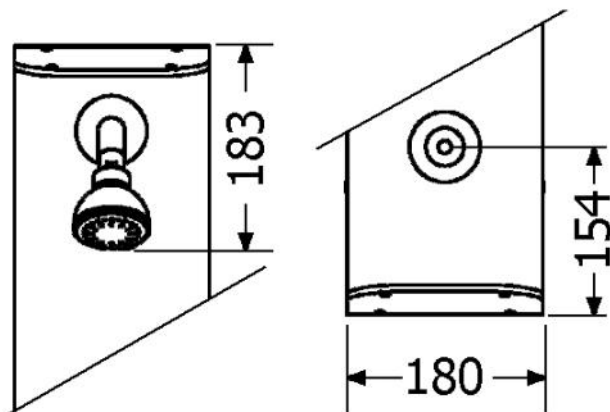
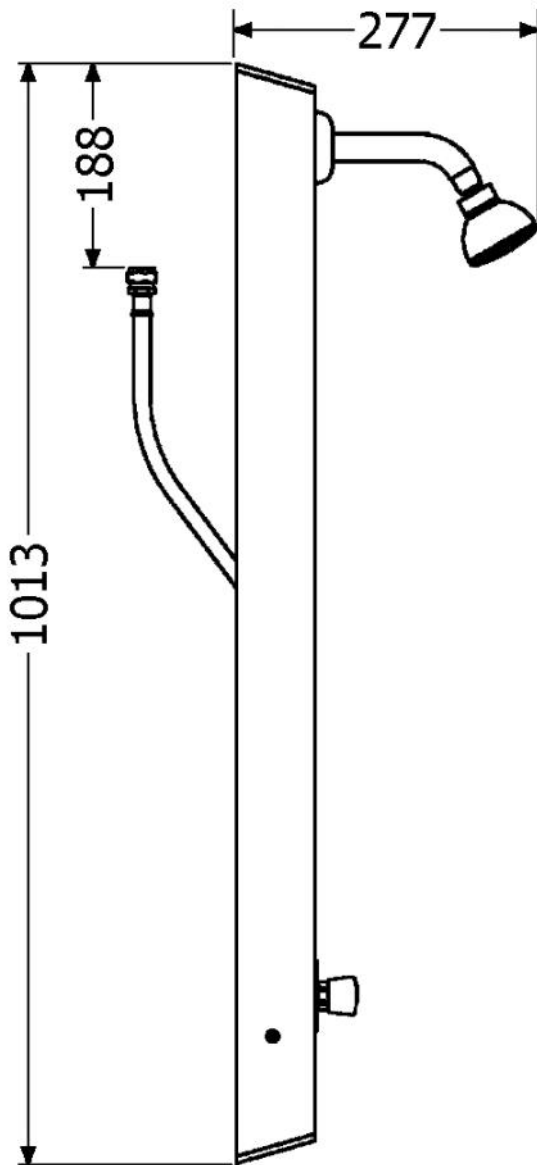
- Durable powder coated (RAL 9010) panel and robust fittings ensure long lifespan
- Pressure and performance tested pre-plumbed assembly
- Integral TMV3 Scheme Approved HORNE 15 thermostatic mixing valve
- Fixed swivel shower head
- Timed flow control for water and energy conservation. Approx. duration 45 secs
- Integral 8 L/min flow regulator for water and energy conservation
- Highly suitable for retrofit applications
- Fast and easy installation
- Integral low level isolating service valves for ease of maintenance

The HORNE 15 thermostatic mixing valve is WRAS & TMV3 Scheme Approved.



Certificate No. FM 1224

Dimensions in mm



The T306B shower panel is pre-plumbed with an integral Type 3 and WRAS approved thermostatic mixing valve, which features:



- Low level isolating servicing valves
- Integral fine mesh strainers provide essential protection to the internal mechanism of the valve & ancillary fittings
- Angle pattern inlets enable easy access to the strainers
- Flushing facility to allow water supplies to be flushed clean during commissioning
- Integral check valves prevent cross migration of water supplies

### Operating Conditions:

- Mixed water temperature preset to 41°C
- Range of hot water supply temperature: 52 — 85°C
- Maximum static pressure: 10 bar
- Minimum differential between hot water temp. and mixed water temp.: 5°C
- Range of maintained water supply pressures: 0.5 — 5 bar

Hot and cold water pressures do not need to be equal. The lower of the two pressures, however, should not be less than 0.5 bar maintained at the shower head.