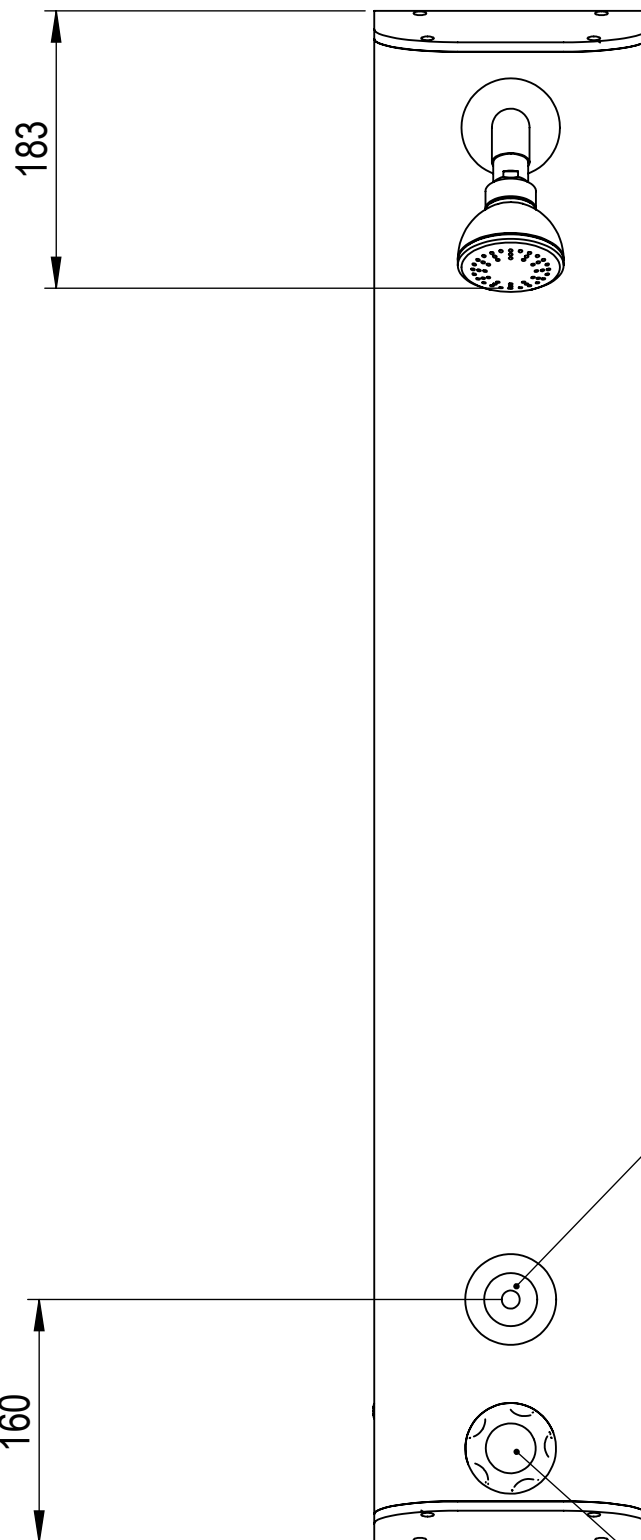
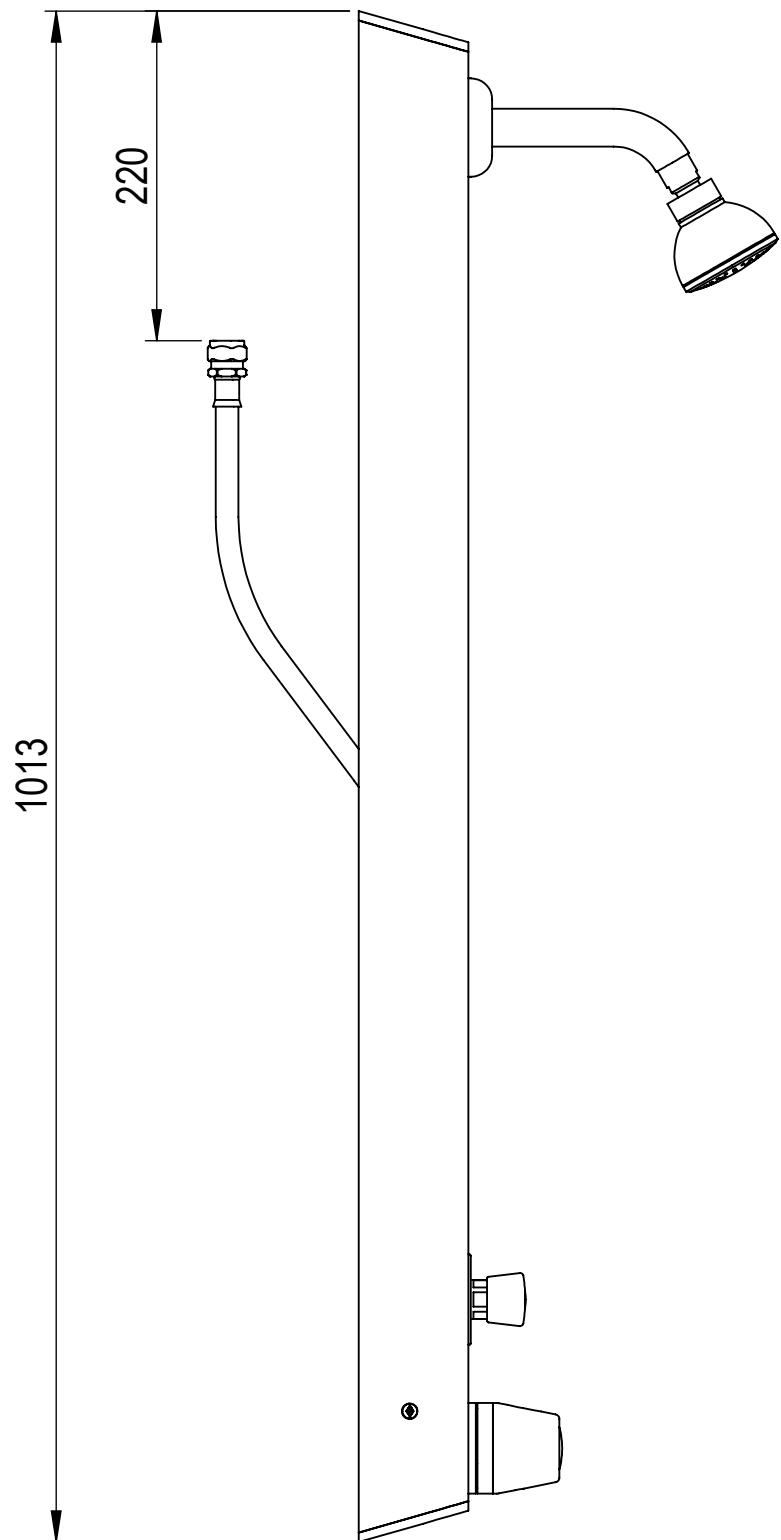
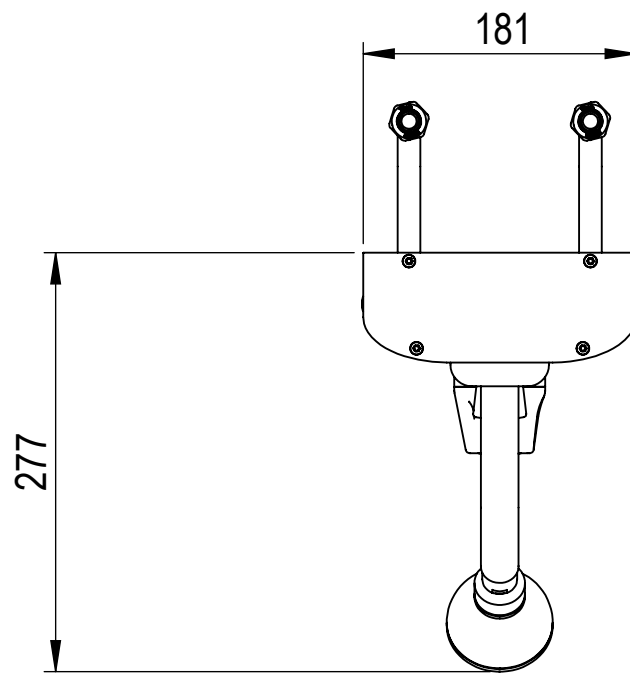


ALL DIMENSIONS ARE APPROXIMATE



TIMED FLOW CONTROL

TEMPERATURE CONTROL

COPYRIGHT 2016, HORNE ENGINEERING LTD. ALL REPRODUCTION PROHIBITED UNLESS AUTHORISED IN WRITING.
THIS DRAWING CONTAINS CONFIDENTIAL AND PROPRIETARY INFORMATION OF HORNE ENGINEERING LIMITED AND UNAUTHORISED DISCLOSURE IS STRICTLY PROHIBITED.

DRN BY	MJ (07/01/2016)
CHK'D BY	

MODEL REV.	A-01
DRG REV.	B-01

HORNE ENGINEERING LTD.
JOHNSTONE
RENFREWSHIRE
PA5 8BD

SHEET 1 OF 1

DO NOT SCALE

A3

PRODUCT: T206B

DR'G No. 10362

CONFIG OF: 6250