

HORNE®

Product datasheet: T206A1L

HORNE SHOWER PANEL WITH TEMPERATURE CONTROL LEVER ADJUSTMENT, TIMED FLOW CONTROL AND SWIVEL SHOWER HEAD

Includes integral Type 3 Approved thermostatic shower valve pre-plumbed within a white (RAL 9010) powder-coated aluminium panel with push button timed flow control, lever temperature adjustment and easy clean swivel shower head in chromium plated finish.



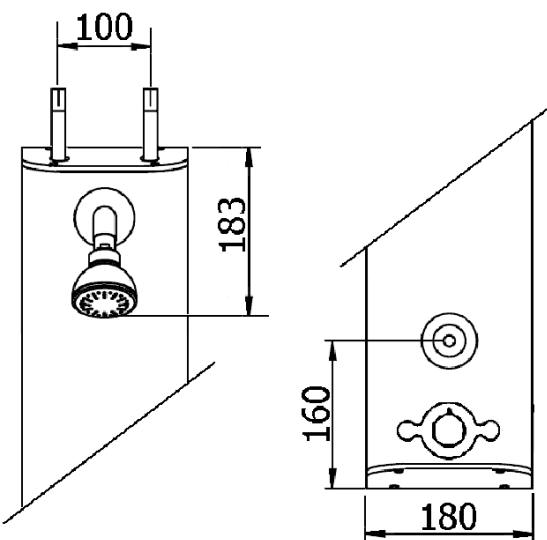
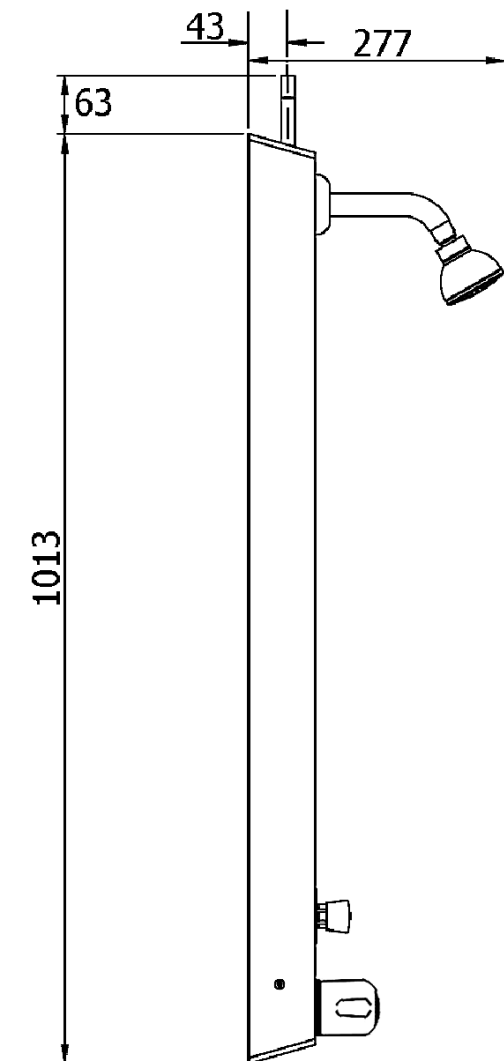
FEATURES & BENEFITS

- Durable, anodised and powder coated (RAL 9010) panel and robust fittings ensures long lifespan
- Pressure and performance tested pre-plumbed assembly
- Integral healthcare-approved shower valve with user temperature control
- Easy clean swivel shower head
- Timed flow control for water and energy conservation (duration approx. 45 seconds)
- Lever operated temperature control
- 8 L/min flow regulator for water and energy conservation
- Highly suitable for retrofit applications
- Fast and easy installation
- Low level integral isolating service valves for ease of maintenance
- Optional Accessory:
 - * pipe cover in same profile as panel

The TSV-TFC thermostatic shower valve is Type 3 and UK Water Reg 4 Approved.



Dimensions in mm



The T206A1L shower panel is pre-plumbed with an integral thermostatic mixing valve, which features:

- Low level isolating servicing valves
- Integral fine mesh strainers, which provide essential protection to the internal mechanism of the valve and ancillary fittings
- Angle pattern inlets enable easy access to the strainers
- Integral check valves prevent cross migration of water supplies
- Flushing facility to allow water supplies to be flushed clean during commissioning

Operating Conditions (Type 3 TMV):

- Maximum mixed water temperature factory set to 41°C
- Range hot water supply temp: 55 - 65°C
- Maximum static pressure: 10 bar
- Minimum differential between hot water temp. and mixed water temp.: 5°C
- Range of maintained water supply pressures: 0.5 - 5 bar

Unequal pressures are usually acceptable if gravity-pressure supplies one of the inlets: minimum 0.5 Bar. When both supplies are pumped, pressures should be nominally balanced.