

T206B SHOWER PANEL WITH TEMPERATURE & TIMED FLOW CONTROLS, EASY CLEAN SWIVEL SHOWER HEAD

HORNE SHOWER PANEL WITH TEMPERATURE CONTROL ADJUSTMENT, TIMED FLOW CONTROL AND SWIVEL SHOWER HEAD

Includes integral HORNE thermostatic shower valve pre-plumbed within a white (RAL 9010) powder coated aluminium panel with push button timed flow control, temperature adjustment and easy clean swivel shower head in chromium plated finish. Connections by flexible Soft-PEX braided hose for concealed water supplies.

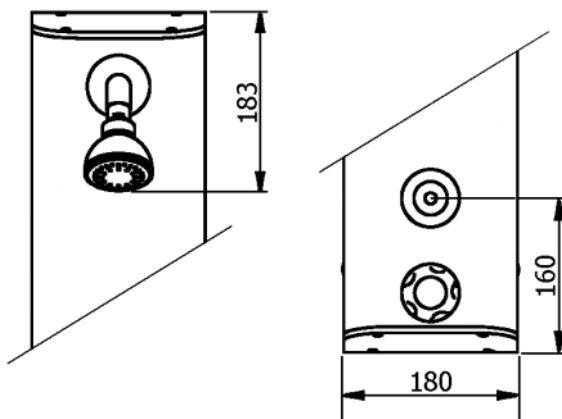
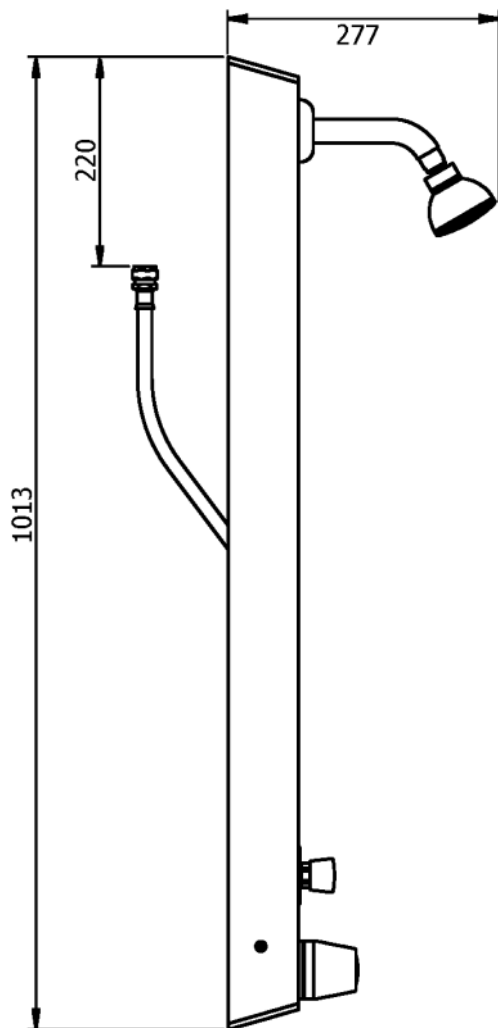


FEATURES & BENEFITS

- Durable powder coated (RAL 9010) panel and robust fittings ensures long lifespan
- Pressure and performance tested pre-plumbed assembly
- Integral Horne TMV
- Easy clean swivel shower head
- Timed flow control for water and energy conservation. Approx. duration 45 secs
- 8 L/min flow regulator for water and energy conservation
- Highly suitable for retrofit applications
- Fast and easy installation
- Low level isolating service valves for ease of maintenance



Dimensions in mm



The T206B shower panel is pre-plumbed with an integral thermostatic mixing valve, which features:

- Low level isolating servicing valves
- Integral fine mesh strainers, which provide essential protection to the internal mechanism of the valve and ancillary fittings
- Angle pattern inlets enable easy access to the strainers
- Integral check valves prevent cross migration of water supplies
- Flushing facility to allow water supplies to be flushed clean during commissioning

Operating Conditions:

- Maximum mixed water temperature factory set to 41°C
- Range hot water supply temp: 52 - 85°C
- Maximum static pressure: 10 bar
- Minimum differential between hot water temp. and mixed water temp.: 5°C
- Range of maintained water supply pressures: 0.4 — 5 bar

Unequal pressures are usually acceptable if gravity-pressure supplies one of the inlets: minimum pressure 0.4 Bar. When both supplies are pumped, pressures should be nominally balanced.

HORNE ENGINEERING LTD, P O BOX 7, Rankine Street, Johnstone, PA5 8BD.

Tel: +44 (0)1505 321455 Fax: +44 (0)1505 336287 Email: sales@horne.co.uk web: www.horne.co.uk