

# HORNE®

## Product datasheet: T113B1L

HORNE SHOWER PANEL WITH TEMPERATURE CONTROL LEVER ADJUSTMENT, TIMED FLOW CONTROL AND VANDAL RESISTANT SHOWER HEAD  
Includes integral Type 3 Approved Thermostatic Shower Valve pre-plumbed within a white powder-coated aluminium panel with push button timed flow control, temperature control lever and vandal resistant shower head in chromium plated finish.



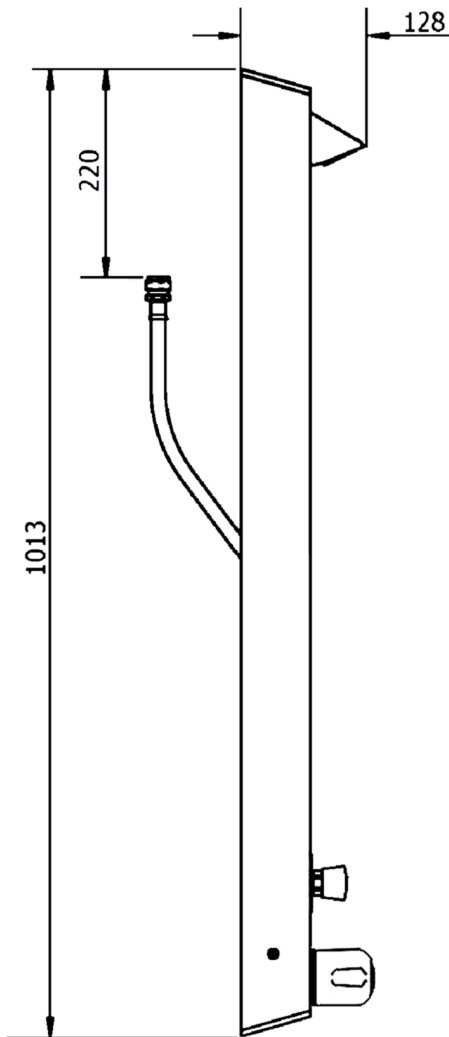
### FEATURES & BENEFITS

- Durable, anodised and powder coated (RAL 9010) panel and robust fittings ensure long lifespan
- Pressure tested pre-plumbed assembly
- Integral healthcare approved shower valve with user temperature control
- Fixed vandal resistant shower head
  - \* Large area spray plate
  - \* Two directional spray settings
  - \* Easy to clean and maintain
- Integral 8 L/min flow regulator for water and energy conservation
- Lever operated temperature control
- Push button timed flow control for water and energy conservation (approx. duration 45 seconds)
- Low level integral isolating valves for ease of maintenance
- Highly suitable for retrofit applications
- Fast and easy installation
- Optional Accessory:
  - \* Pipe cover in same profile as panel

The TSV-TFC thermostatic shower valve is Type 3 and UK Water Reg 4 Approved.



Dimensions in mm



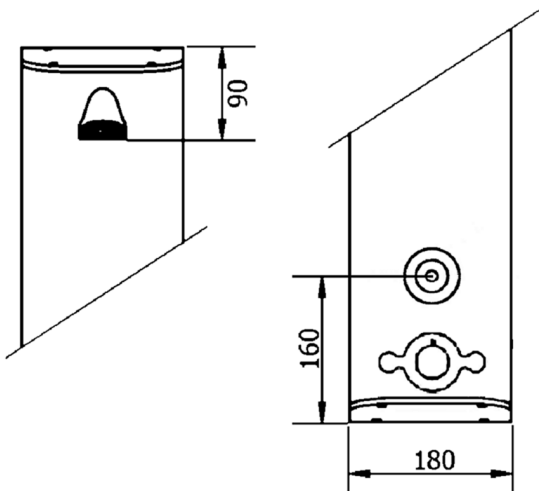
The T113B1L shower panel is pre-plumbed with an integral thermostatic mixing valve, which features:

- Low level isolating servicing valves
- Integral fine mesh strainers, which provide essential protection to the internal mechanism of the valve and ancillary fittings
- Angle pattern inlets enable easy access to the strainers
- Integral check valves prevent cross migration of water supplies
- Flushing facility to allow water supplies to be flushed clean during commissioning

### Operating Conditions (Type 3 TMV):

- Mixed water temperature preset to 41°C
- Range of hot water supply temperature: 55 – 65°C
- Maximum static pressure: 10 bar
- Minimum differential between hot water and mixed water temperatures: 5°C
- Range of maintained water supply pressures: 0.5 - 5 bar

*Unequal pressures are usually acceptable if gravity-pressure supplies one of the inlets: minimum 0.5 Bar. When both supplies are pumped, pressures should be nominally balanced.*



HORNE ENGINEERING LTD, P O BOX 7, Rankine Street, Johnstone, PA5 8BD.  
Tel: +44 (0)1505 321455 Fax: +44 (0)1505 336287  
Email: sales@horne.co.uk web: www.horne.co.uk



Certificate No. FM 1224