

T113BLR LIGATURE RESISTANT SHOWER PANEL WITH TIMED FLOW CONTROL, TEMPERATURE CONTROL AND VANDAL RESISTANT SHOWER HEAD

Includes integral HORNE Thermostatic Shower Valve pre-plumbed within a white powder coated aluminium panel with ligature resistant push button timed flow control, temperature control and vandal and ligature resistant shower head in chromium plated finish.

Connections by flexible Soft-PEX flexible hose for concealed supply.

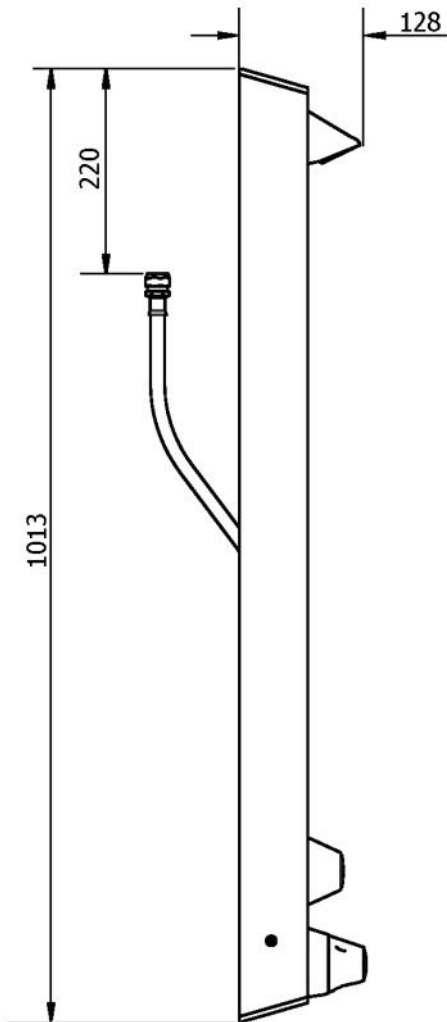


FEATURES & BENEFITS

- Durable painted panel and robust fittings ensure long lifespan
- Pressure tested pre-plumbed assembly
- Integral Horne TMV
- Fixed vandal & ligature resistant shower head
 - * Large size spray plate
 - * Two directional spray settings
- Integral 8 L/min flow regulator for water and energy conservation
- Ligature resistant push-button timed flow control for water and energy Conservation. Approx. duration 45 secs
- Highly suitable for retrofit applications
- Fast and easy installation
- Low level servicing valves for ease of maintenance



Dimensions in mm



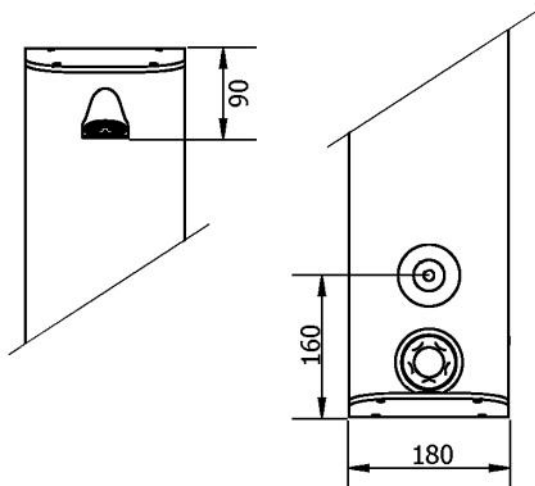
The T113BLR shower panel is pre-plumbed with an integral thermostatic mixing valve, which features:

- Low level isolating servicing valves
- Integral fine mesh strainers, which provide essential protection to the internal mechanism of the valve and ancillary fittings
- Angle pattern inlets enable easy access to the strainers
- Integral check valves prevent cross migration of water supplies
- Flushing facility to allow water supplies to be flushed clean during commissioning and for routine system maintenance

Operating Conditions:

- Mixed water temperature preset to 41°C
- Range of hot water supply temperature: 52 – 85°C
- Maximum static pressure: 10 bar
- Minimum differential between hot water and mixed water temperatures: 5°C
- Range of maintained water supply pressures: 0.4 – 5 bar

Unequal pressures are usually acceptable if gravity-pressure supplies one of the inlets: minimum pressure 0.4 Bar. When both supplies are pumped, pressures should be nominally balanced.



HORNE ENGINEERING LTD, P O BOX 7, Rankine Street, Johnstone, PA5 8BD.

Tel: +44 (0)1505 321455 Fax: +44 (0)1505 336287 Email: sales@horne.co.uk web: www.horne.co.uk