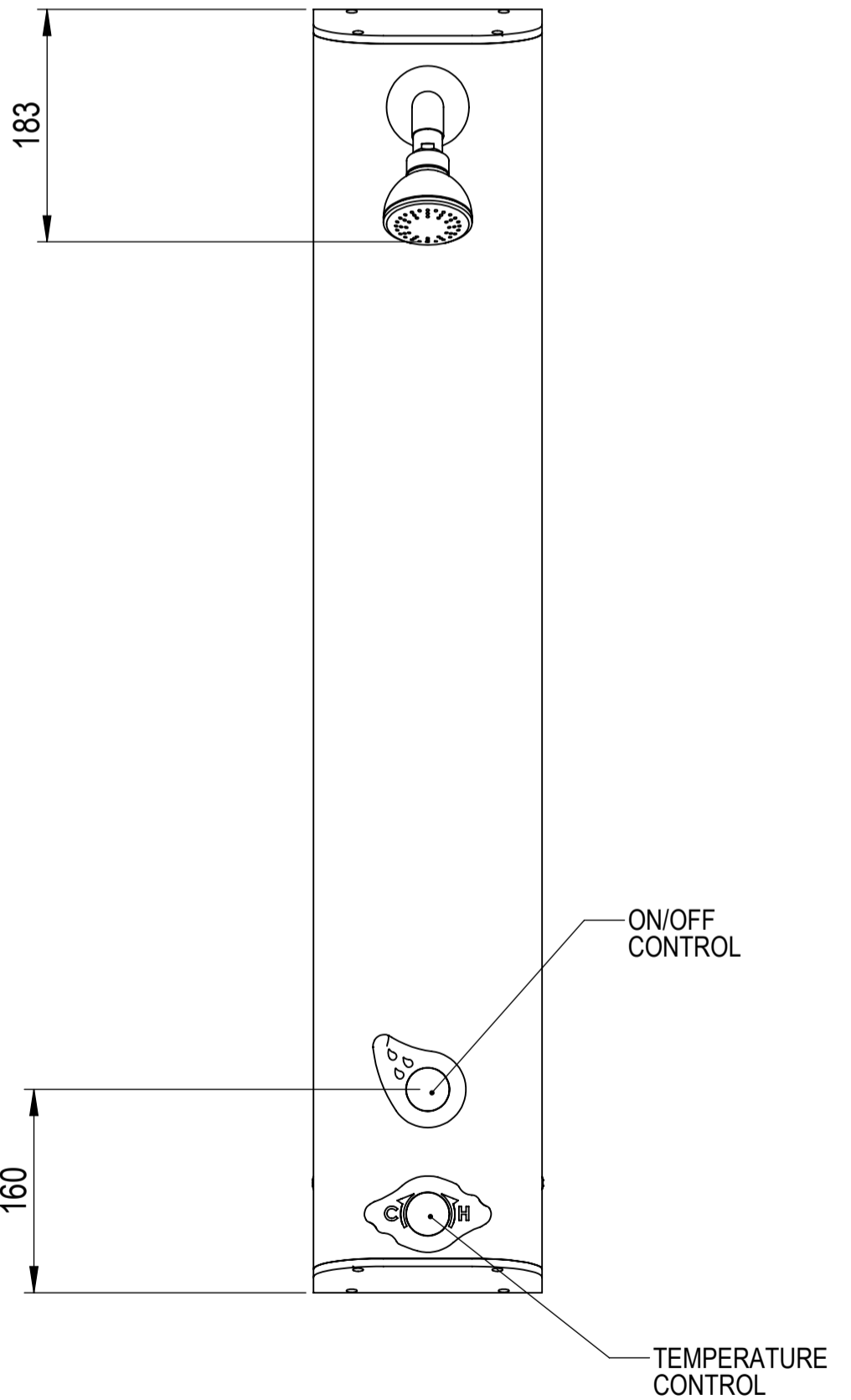
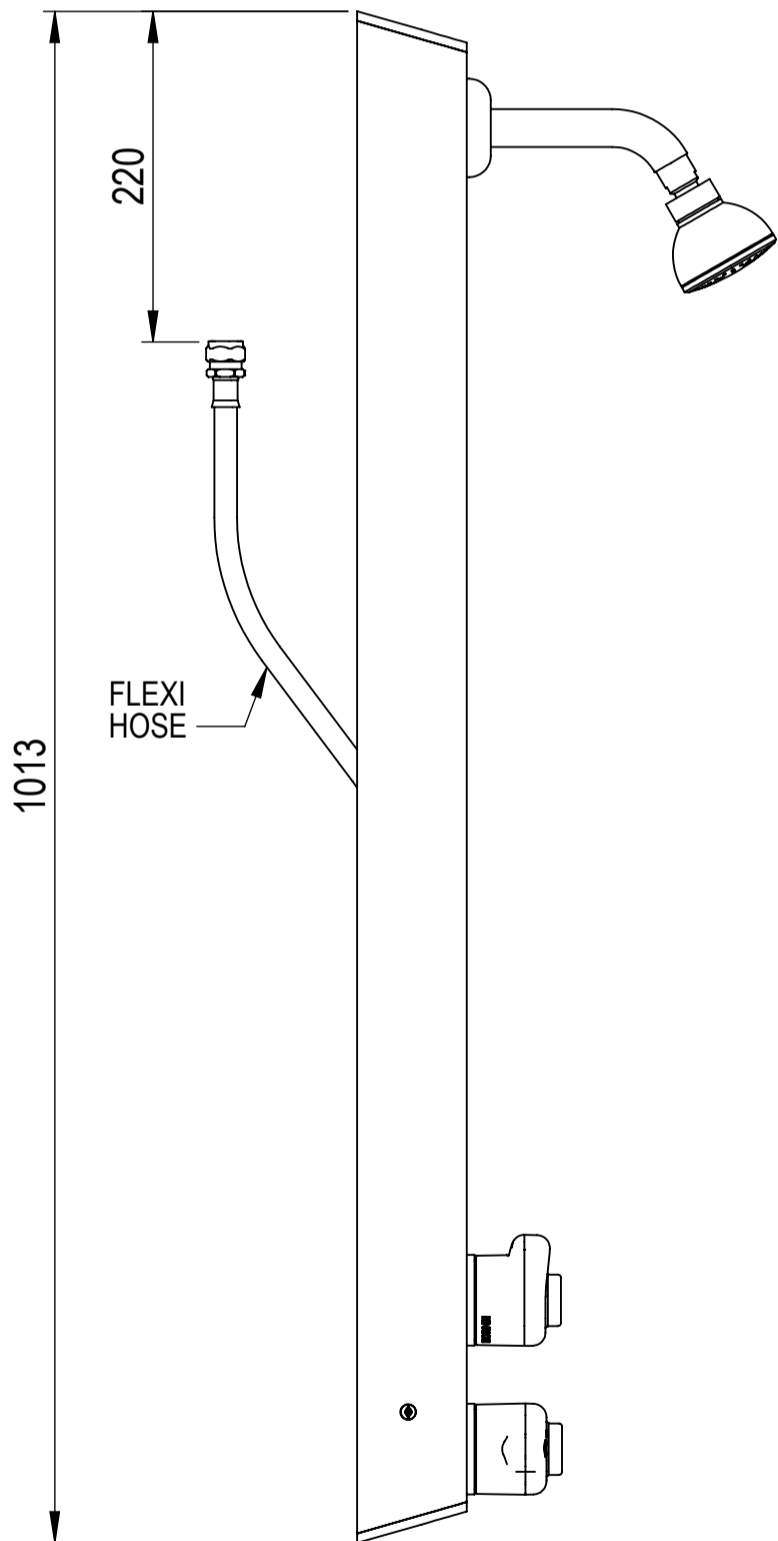
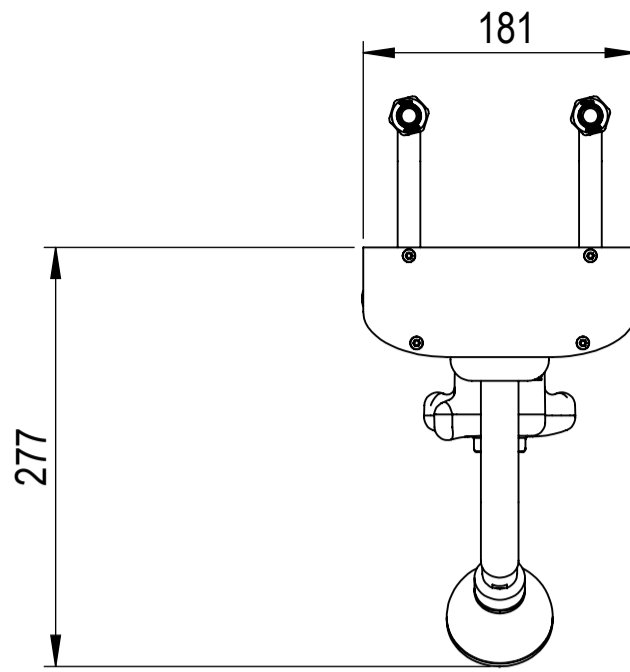


ALL DIMENSIONS ARE APPROXIMATE



COPYRIGHT 2016, HORNE ENGINEERING LTD. ALL REPRODUCTION PROHIBITED UNLESS AUTHORISED IN WRITING.
THIS DRAWING CONTAINS CONFIDENTIAL AND PROPRIETARY INFORMATION OF HORNE ENGINEERING LIMITED AND UNAUTHORISED DISCLOSURE IS STRICTLY PROHIBITED.

DRN BY MJ (07/01/2016)
CHK'D BY

MODEL REV. A-01
DRG REV. B-01

HORNE ENGINEERING LTD.
JOHNSTONE
RENFREWSHIRE
PA5 8BD
SHEET 1 OF 1
DO NOT SCALE
A3
DR'G No. 10373
CONFIG OF: 6250

PRODUCT: T106B2L