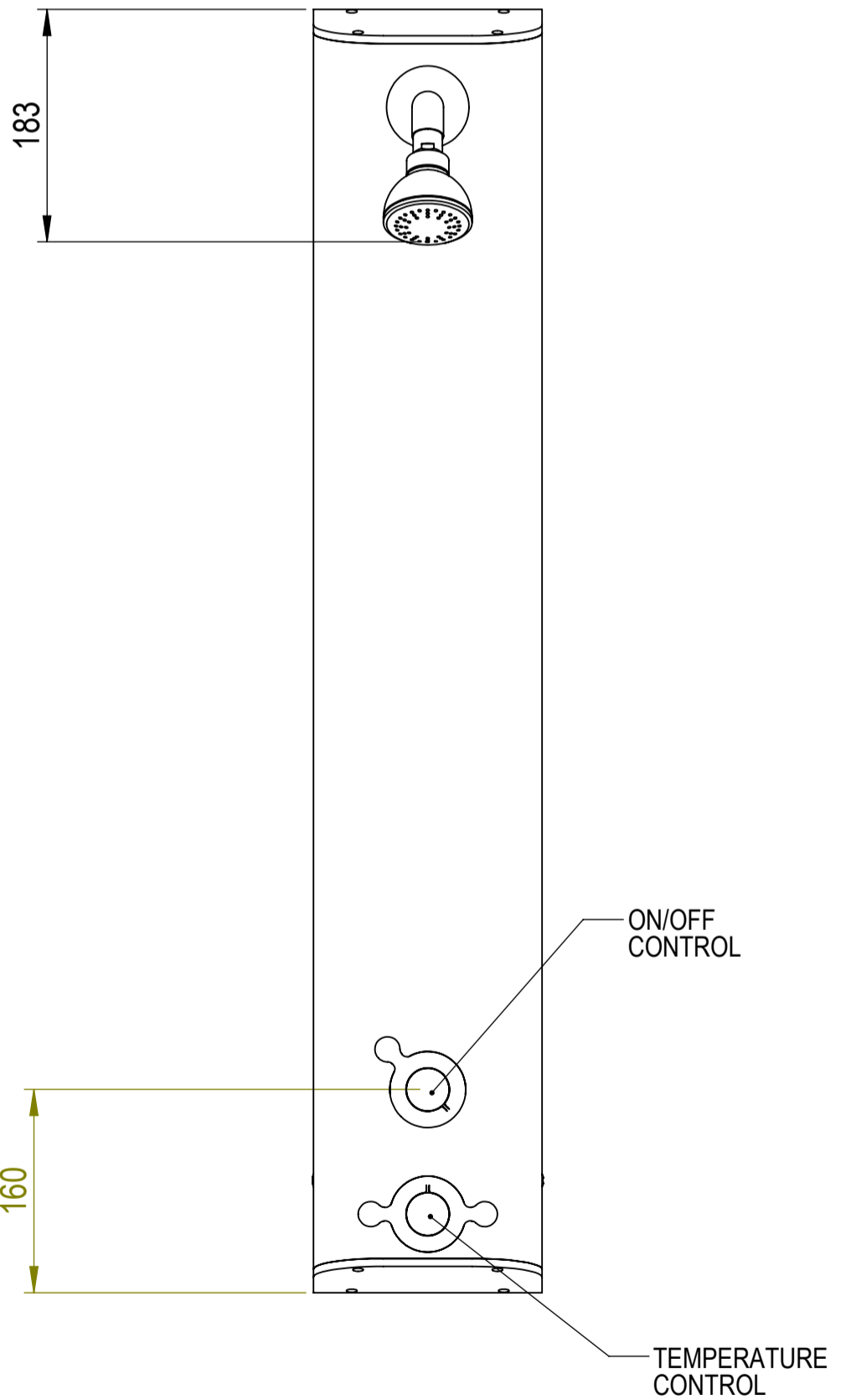
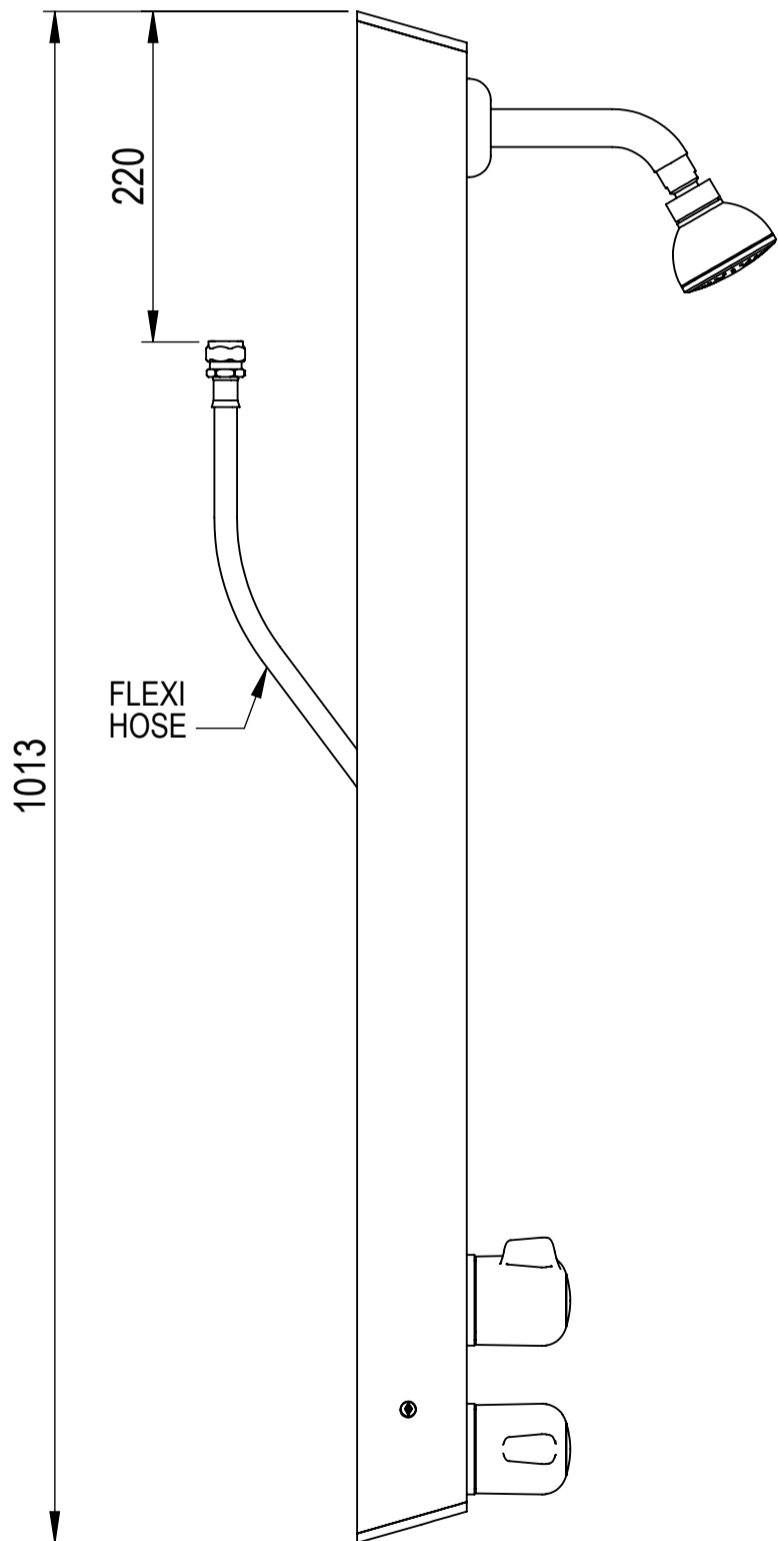
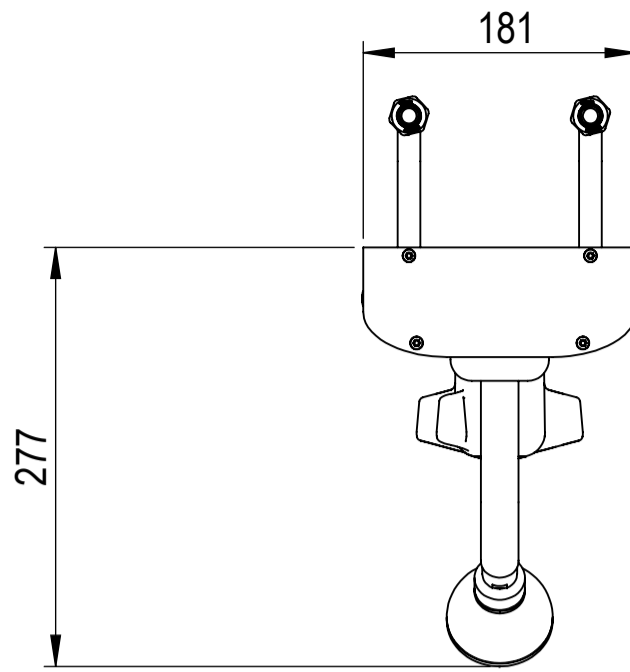


ALL DIMENSIONS ARE APPROXIMATE



COPYRIGHT 2016, HORNE ENGINEERING LTD. ALL REPRODUCTION PROHIBITED UNLESS AUTHORISED IN WRITING.  
THIS DRAWING CONTAINS CONFIDENTIAL AND PROPRIETARY INFORMATION OF HORNE ENGINEERING LIMITED AND UNAUTHORISED DISCLOSURE IS STRICTLY PROHIBITED.

DRN BY: CE (14/10/22)  
CHK'D BY:

MODEL REV.: A-06.  
DRG REV.: B-02.

HORNE ENGINEERING LTD.  
JOHNSTONE  
RENFREWSHIRE  
PA5 8BD  
SHEET 1 OF 1  
DO NOT SCALE  
A3  
DR'G No. 10373  
CONFIG OF: 6250

PRODUCT: T106B2L