

### T106B2L DUAL CONTROL SHOWER PANEL

#### **HORNE SHOWER PANEL WITH DUAL CONTROL SHOWER VALVE and SWIVEL SHOWER HEAD**

Includes integral TMV3 thermostatic shower valve pre-plumbed within a white (RAL 9010) powder coated aluminium panel with BS 8300 compliant lever controls and easy clean swivel shower head in chromium plated finish. Connections by flexible Soft-PEX braided hose for concealed water supply.



#### **FEATURES & BENEFITS**

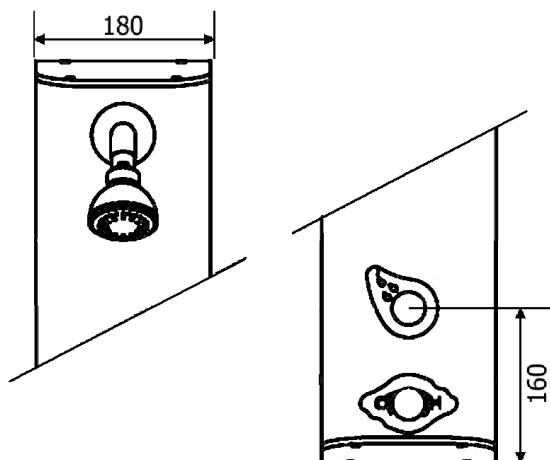
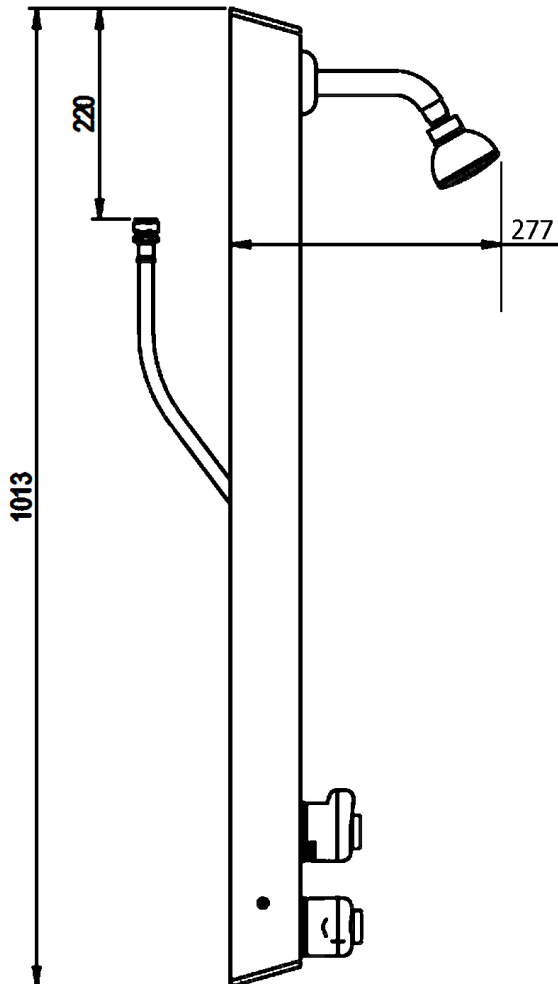
- Robust powder coated (RA 9010) panel and fittings ensure long lifespan
- Integral TMV3 Scheme Approved shower valve - dual control
- Fully pressure and performance tested pre-plumbed assembly
- Easy clean swivel shower head
- Shaped, moulded and low torque flow and temperature control levers for less able users
- 8 L/min flow regulator for water and energy conservation
- Highly suitable for retrofit applications
- Fast and easy installation
- Low level integral isolating service valves for ease of maintenance

The TSV1-3 thermostatic shower valve is WRAS & TMV3 scheme Approved.



Certificate No. FM 1224

Dimensions in mm



The T106B2L shower panel is pre-plumbed with an integral Type 3 and WRAS approved thermostatic mixing valve, which features:



- Integral fine mesh strainers provide essential protection to the internal mechanism of the valve & ancillary fittings
- Angle pattern inlets enable easy access to the strainers
- Integral check valves prevent cross migration of water supplies
- Flushing facility to allow water supplies to be flushed clean during commissioning

### Operating Conditions:

- Mixed water temperature preset to 41°C
- Range of hot water supply temperature: 52 — 85°C
- Maximum static pressure: 10 bar
- Minimum differential between hot water temp. and mixed water temp.: 5°C
- Range of maintained water supply pressures: 0.2 — 5 bar

*Unequal pressures are usually acceptable if gravity-pressure supplies one of the inlets: minimum pressure 0.2 Bar. When both supplies are pumped, pressures should be nominally balanced.*