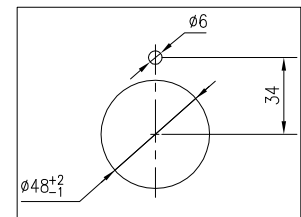
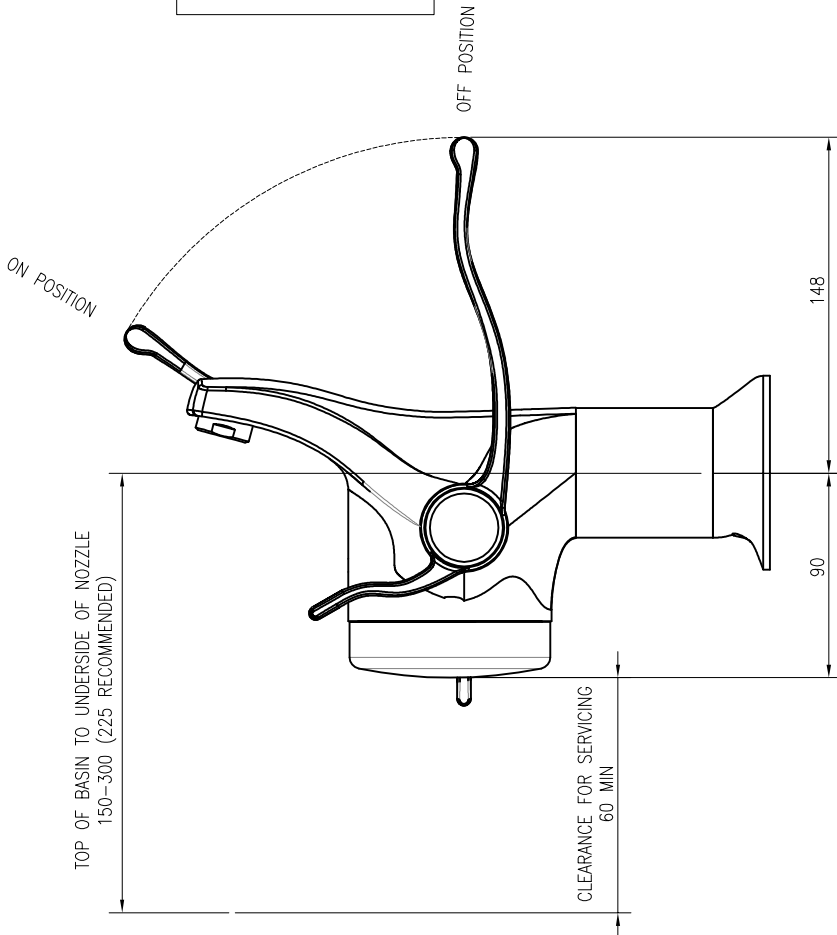


DIMENSIONS IN MILLIMETRES



MOUNTING HOLE SPECIFICATION
PANEL THICKNESS 6-30MM